

130620 ✓ ACTIVE

PIDG

TE Internal #: 130620

Spade Tongue Terminal, 12 – 10 AWG, M5 Stud Size, 5 mm [.205 in] Stud Diameter, Closed Barrel, Straight, Tin, Partially Insulated, PIDG

[View on TE.com >](#)



Terminals & Splices > Spade Terminals



Spade Terminal Type: **Spade Tongue Terminal**

Wire Size: **5180 – 13100 CMA**

Stud Size: **M5**

Features

Product Type Features

Stud Size	M5
Sealable	No
Wire Insulation Support Retention Type	Non-Insulation Support

Contact Features

Spade Terminal Type	Spade Tongue Terminal
Barrel Type	Closed
Terminal Orientation	Straight
Terminal Plating Material	Tin

Mechanical Attachment

Wire Insulation Support	With
-------------------------	------

Dimensions

Wire Size	5180 – 13100 CMA
Stud Diameter	5 mm [.205 in]
Tongue Thickness	.79 mm [.031 in]
Product Length	33 mm [1.299 in]
Compatible Insulation Diameter (Max)	6.4 mm [.252 in]

Compatible Insulation Diameter Range	3.8 – 6.4 mm [.15 – .252 in]
--------------------------------------	------------------------------

Usage Conditions

Insulation Option	Partially Insulated
Operating Temperature Range	105 °C [221 °F]

Operation/Application

Compatible With Wire Base Material	Copper
Compatible With Wire Plating Material	Tin

Industry Standards

Government Qualified Terminal	No
-------------------------------	----

Packaging Features

Packaging Quantity	500
Packaging Method	Loose Piece

Product Compliance

[For compliance documentation, visit the product page on TE.com>](#)

EU RoHS Directive 2011/65/EU	Compliant
EU ELV Directive 2000/53/EC	Compliant
China RoHS 2 Directive MIIT Order No 32, 2016	No Restricted Materials Above Threshold
EU REACH Regulation (EC) No. 1907/2006	Current ECHA Candidate List: JUNE 2024 (241) Candidate List Declared Against: JUNE 2024 (241) Does not contain REACH SVHC
Halogen Content	Low Halogen - Br, Cl, F, I < 900 ppm per homogenous material. Also BFR/CFR/PVC Free
Solder Process Capability	Not applicable for solder process capability

Product Compliance Disclaimer

This information is provided based on reasonable inquiry of our suppliers and represents our current actual knowledge based on the information they provided. This information is subject to change. The part numbers that TE has identified as EU RoHS compliant have a maximum concentration of 0.1% by weight in homogenous materials for lead, hexavalent chromium, mercury, PBB, PBDE, DBP, BBP, DEHP, DIBP, and 0.01% for cadmium, or qualify for an exemption to these limits as defined in the Annexes of Directive 2011/65/EU (RoHS2). Finished electrical and electronic equipment products will be CE marked as required by Directive 2011/65/EU. Components may not be CE marked. Additionally, the part numbers that TE has identified as EU ELV compliant have a maximum concentration of 0.1% by weight in homogenous materials for lead, hexavalent chromium, and mercury, and 0.01% for cadmium, or qualify for an exemption to these limits as defined in the Annexes of Directive 2000/53/EC (ELV). Regarding the REACH Regulation, the information TE provides on SVHC in articles for this part number is based on the latest European Chemicals Agency (ECHA) 'Guidance on requirements for substances in articles' posted at this URL: <https://echa.europa.eu/guidance-documents/guidance-on-reach>

Compatible Parts



TE Part # 58423-1
DIE, RBY IS9252



TE Part # 58433-3
PRO CR ASSY, RBY IS9252



TE Part # 59239-4
HHHT PIDG PG 12-10 ASSY



TE Part # 525692
HHHT PIDG PG 12-10 ASSY



TE Part # 169400
CERTI-LOK FRAME W/O DIES



TE Part # 169404
CERTI-LOK DIE



TE Part # 1SET191001R0000
CRIMP-HT

Also in the Series | PIDG



Compression Connectors(17)



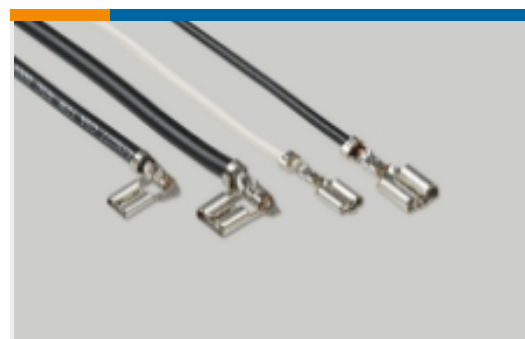
Crimp Wire Pins, Tabs & Ferrules(41)



Hand Crimping Tools(2)



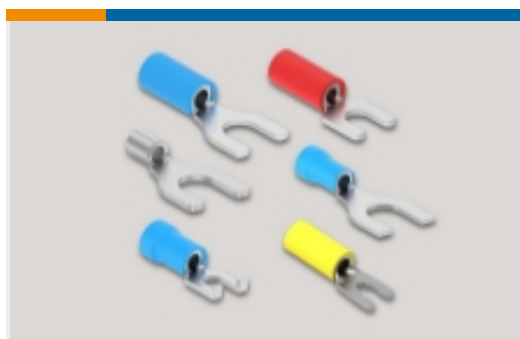
Knife Disconnects(11)



Quick Disconnects(32)



Ring Terminals(589)



Spade Terminals(228)

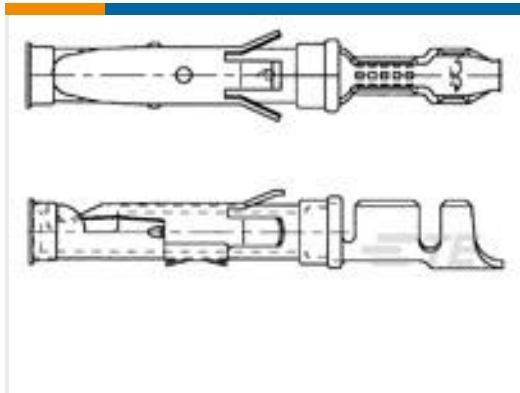


Special Purpose Terminals(1)



Splices(40)

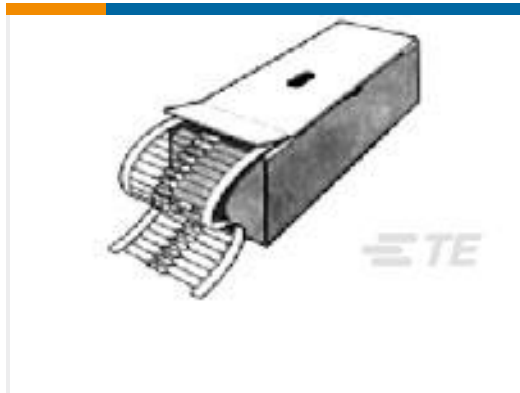
Customers Also Bought



TE Part #163084-1
RECEPTACLE



TE Part #735160
TERM, RECPT, PIDG, FAST, .250, 16-14



TE Part #1-2176080-3
EP 9W 1K0 5%



TE Part #1394277-1
SCHUTZKAPPE F4+7P



TE Part #NB19504001
RNF-100-3/16-GY-SP



TE Part #5-1393224-5
RY212012



TE Part #2-1105301-1
HVT-C-Bu.Ag.0,75-1,0 qmm



TE Part #2-1103103-3
HN.D.7.BU.C



TE Part #2-1103200-3
HN.2.D.24.STI.C

Documents

Product Drawings

[PIDG SPADE](#)

English

CAD Files

[3D PDF](#)

3D

Customer View Model

[ENG_CVM_CVM_130620_H.2d_dxf.zip](#)

130620

Spade Tongue Terminal, 12 – 10 AWG, M5 Stud Size, 5 mm [.205 in] Stud Diameter,
Closed Barrel, Straight, Tin, Partially Insulated, PIDG



English

Customer View Model

[ENG_CVM_CVM_130620_H.3d_igs.zip](#)

English

Customer View Model

[ENG_CVM_CVM_130620_H.3d_stp.zip](#)

English

By downloading the CAD file I accept and agree to the [Terms and Conditions](#) of use.