

130524 ✓ ACTIVE

SOLISTRAND

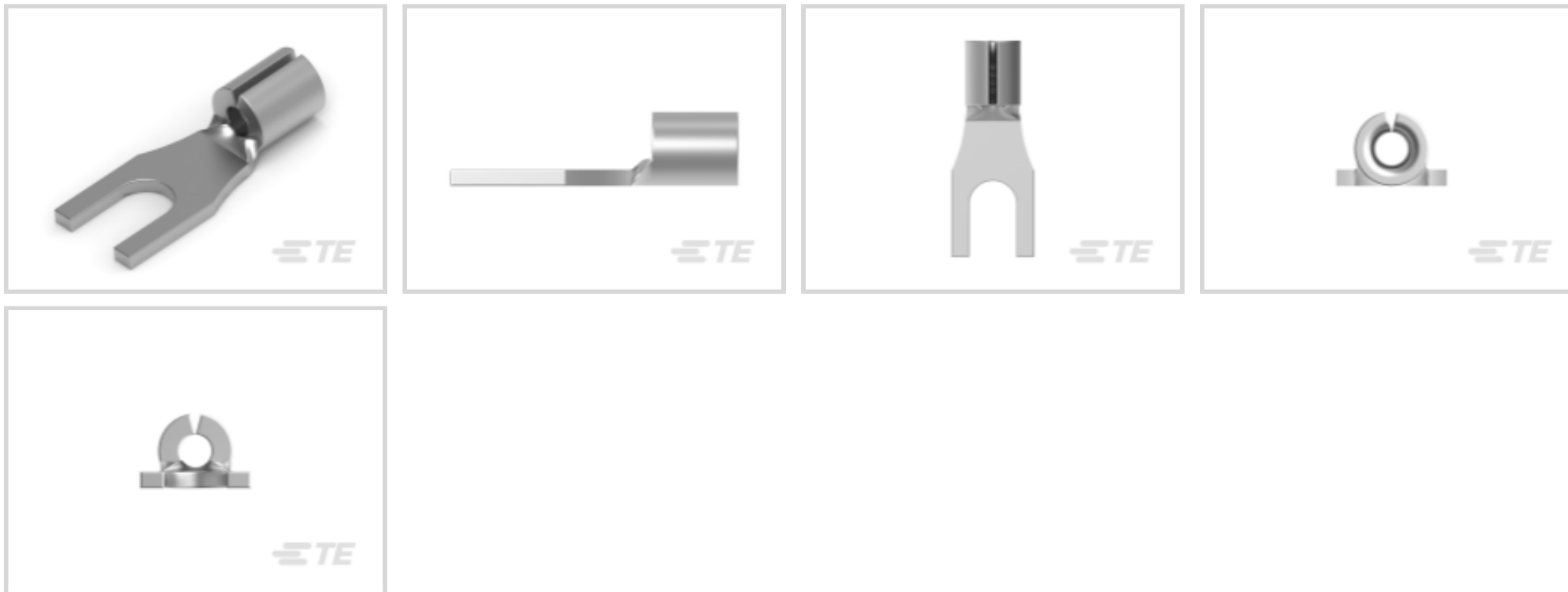
TE Internal #: 130524

Spade Tongue Terminal, 22 – 16 AWG, #4 Stud Size, 2.8 mm [.112 in] Stud Diameter, Closed Barrel, Straight, Tin, Uninsulated

[View on TE.com >](#)



Terminals & Splices > Spade Terminals



Spade Terminal Type: **Spade Tongue Terminal**

Wire Size: **509 – 3260 CMA**

Stud Size: **#4**

**Features**

**Product Type Features**

|  |                        |
|--|------------------------|
| Stud Size                              | #4                     |
| Sealable                               | No                     |
| Wire Insulation Support Retention Type | Non-Insulation Support |

**Contact Features**

|                           |                       |
|---------------------------|-----------------------|
| Spade Terminal Type       | Spade Tongue Terminal |
| Barrel Type               | Closed                |
| Terminal Orientation      | Straight              |
| Terminal Plating Material | Tin                   |

**Mechanical Attachment**

|                         |         |
|-------------------------|---------|
| Wire Insulation Support | Without |
|-------------------------|---------|

**Dimensions**

|                        |                   |
|------------------------|-------------------|
| Wire Size              | 509 – 3260 CMA    |
| Stud Diameter          | 2.8 mm [.112 in]  |
| Tongue Thickness       | .79 mm [.031 in]  |
| Product Length         | 14.1 mm [.555 in] |
| Barrel Inside Diameter | 1.55 mm [.061 in] |

### Usage Conditions

|                             |                |
|-----------------------------|----------------|
| Insulation Option           | Uninsulated    |
| Operating Temperature Range | 170 °C[338 °F] |

### Operation/Application

|                                       |        |
|---------------------------------------|--------|
| Compatible With Wire Base Material    | Copper |
| Compatible With Wire Plating Material | Tin    |

### Industry Standards

|                               |    |
|-------------------------------|----|
| Government Qualified Terminal | No |
|-------------------------------|----|

### Packaging Features

|                    |             |
|--------------------|-------------|
| Packaging Quantity | 1000        |
| Packaging Method   | Loose Piece |

### Product Compliance

[For compliance documentation, visit the product page on TE.com>](#)

|   |   |
|---|---|
| EU RoHS Directive 2011/65/EU                  | Compliant   |
| EU ELV Directive 2000/53/EC                   | Compliant   |
| China RoHS 2 Directive MIIT Order No 32, 2016 | No Restricted Materials Above Threshold   |
| EU REACH Regulation (EC) No. 1907/2006        | Current ECHA Candidate List: JUNE 2024 (241)<br>Candidate List Declared Against: JUNE 2024 (241)<br>Does not contain REACH SVHC |
| Halogen Content                               | Low Halogen - Br, Cl, F, I < 900 ppm per homogenous material. Also BFR/CFR/PVC Free   |
| Solder Process Capability                     | Not applicable for solder process capability  |

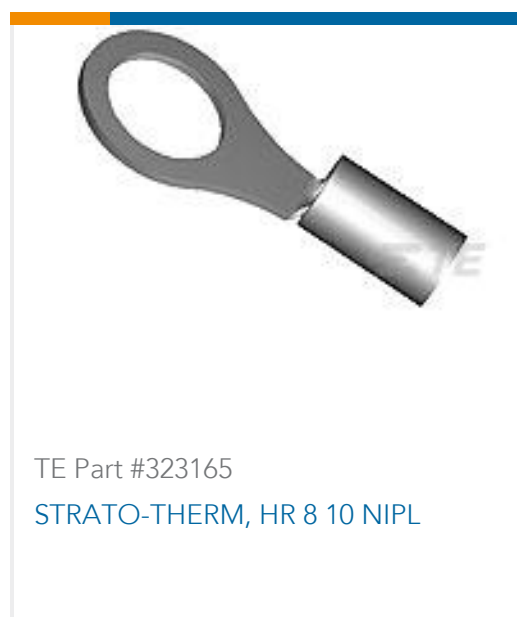
#### Product Compliance Disclaimer

This information is provided based on reasonable inquiry of our suppliers and represents our current actual knowledge based on the information they provided. This information is subject to change. The part numbers that TE has identified as EU RoHS compliant have a maximum concentration of 0.1% by weight in homogenous materials for lead, hexavalent chromium, mercury, PBB, PBDE, DBP, BBP, DEHP, DIBP, and 0.01% for cadmium, or qualify for an exemption to these limits as defined in the Annexes of Directive 2011/65/EU (RoHS2). Finished electrical and electronic equipment products will be CE marked as required by Directive 2011/65/EU. Components may not be CE marked. Additionally, the part numbers that TE has identified as EU ELV compliant have a maximum concentration of 0.1% by weight in homogenous materials for lead, hexavalent chromium, and mercury, and 0.01% for cadmium, or qualify for an exemption to these limits as defined in the Annexes of Directive 2000/53/EC (ELV). Regarding the REACH Regulation, the information TE provides on SVHC in articles for this part number is based on the latest European Chemicals Agency (ECHA) 'Guidance on requirements for substances in articles' posted at this URL: <https://echa.europa.eu/guidance-documents/guidance-on-reach>

## Compatible Parts



## Customers Also Bought



## Documents

### Product Drawings

**BRAZED 22-16 SPADE #4**

English

### CAD Files

Customer View Model

**ENG\_CVM\_CVM\_130524\_B1.3d\_stp.zip**

130524

Spade Tongue Terminal, 22 – 16 AWG, #4 Stud Size, 2.8 mm [.112 in] Stud Diameter,  
Closed Barrel, Straight, Tin, Uninsulated



English

Customer View Model

[ENG\\_CVM\\_CVM\\_130524\\_B1.2d\\_dxf.zip](#)

English

Customer View Model

[ENG\\_CVM\\_CVM\\_130524\\_B1.3d\\_igs.zip](#)

English

[3D PDF](#)

[3D](#)

By downloading the CAD file I accept and agree to the [Terms and Conditions](#) of use.

[Agency Approvals](#)

[UL Report](#)

English