

**PLEASE CHECK WWW.MOLEX.COM FOR LATEST PART INFORMATION**

**Part Number:** [1301280100](#)  
**Status:** **Active**  
**Overview:** [Push-Button Pendant Products](#)  
**Description:** Super-Safeway Switch Replacement, Single Speed Momentary

**Documents:**

[Brochure \(PDF\)](#) [RoHS Certificate of Compliance \(PDF\)](#)

**General**

Product Family	Push Buttons / Testers
Series	<a href="#">130128</a>
Accessory / Replacement Type	One Speed-Momentary Switch
Enclosure Rating	N/A
Overview	<a href="#">Push-Button Pendant Products</a>
Product Name	Super-Safeway
Type	Replacement Part
UPC	78678875414

**Physical**

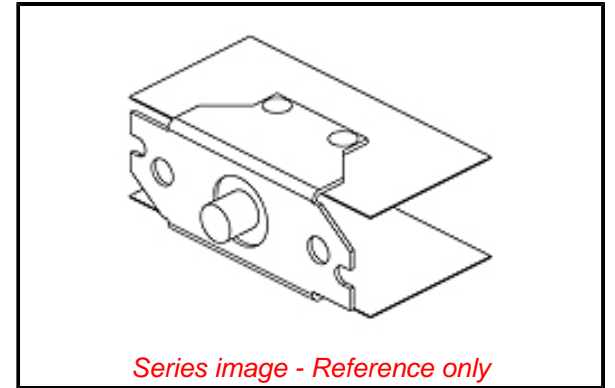
Cord Diameter	N/A
Cord Grip Body Size	N/A
Emergency Stop	No
Material - Body	N/A
Net Weight	55.791/g
Number of Speeds	Single
Packaging Type	Carton

**Electrical**

Voltage - Maximum	250V
-------------------	------

**Material Info**

Engineering Number	4020
--------------------	------



*Series image - Reference only*

**EU ELV**

**Not Reviewed**

**EU RoHS**

**Not Reviewed**

**REACH SVHC**

Not Reviewed

**Halogen-Free**

**Status**

**Not Reviewed**

For more information, please visit [Contact US](#)

China ROHS

Not Reviewed

ELV

Not Reviewed

RoHS Phthalates

Not Reviewed

**Search Parts in this Series**

[130128 Series](#)