

**PLEASE CHECK WWW.MOLEX.COM FOR LATEST PART INFORMATION**

**Part Number:** [1301180020](#)  
**Status:** **Active**  
**Overview:** [Aero-Motive Box-Track Festoon Systems](#)  
**Description:** Box Track, Festoon Intermediate Car - 5410

**Documents:**

[RoHS Certificate of Compliance \(PDF\)](#)

**General**

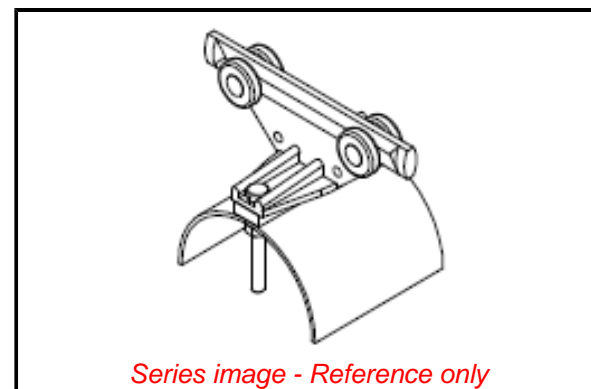
Product Family	Festoons
Series	<a href="#">130118</a>
Cable Height - Maximum	19.05mm (.750")
Cable Width - Maximum	59.00mm (2.320")
Combined Cable Weight-Max./Car	24.95kg (55.0 lb)
Component Type	Car - Intermediate
Depth	89.92mm (3.540")
Duty	Standard - 25kg per Car
Height	144.78mm (5.700")
Length	144.78mm (5.700")
Overview	<a href="#">Aero-Motive Box-Track Festoon Systems</a>
Product Name	Aero-Motive
Type	Box Track
UPC	78678863193

**Physical**

Material - Coating	Zinc
Material - Metal	Galvanized Steel
Material - Wheel	Steel - Sealed Ball Bearing
Net Weight	464.930/g
Number of Cars	1
Packaging Type	Individual Carton
Saddle Radius	71.88mm (2.830")
Thread Size	N/A
Wire/Cable Type	Flat

**Material Info**

Engineering Number	54101
--------------------	-------



**EU ELV**

**Not Relevant**

**EU RoHS**

**Not Relevant**

**REACH SVHC**

Not Reviewed

**Halogen-Free**

**Status**

**Not Relevant**

For more information, please visit [Contact US](#)

China ROHS

Not Relevant

ELV

Not Relevant

RoHS Phthalates

Not Reviewed

**Search Parts in this Series**

[130118 Series](#)