

PLEASE CHECK WWW.MOLEX.COM FOR LATEST PART INFORMATION

Part Number: [1301180015](#)
Status: **Active**
Overview: [Aero-Motive Box-Track Festoon Systems](#)
Description: Box Track, Festoon Joint Hanger

Documents:

[RoHS Certificate of Compliance \(PDF\)](#)

General

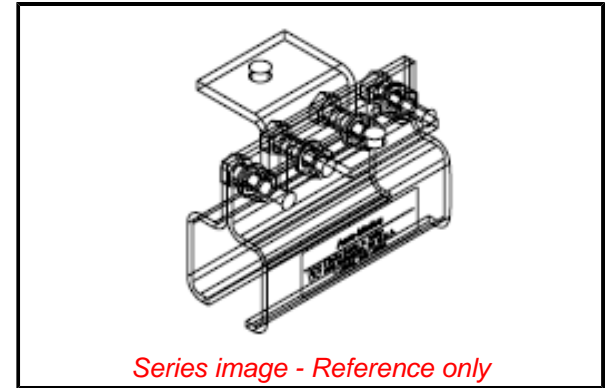
Product Family	Festoons
Series	130118
Component Type	Bracket - Hanger
Depth	N/A
Duty	Heavy
Height	N/A
Length	N/A
Overview	Aero-Motive Box-Track Festoon Systems
Product Name	Aero-Motive
Type	Box Track
UPC	78678863187

Physical

Material - Coating	Zinc
Material - Metal	Galvanized Steel
Packaging Type	Individual Carton
Saddle Radius	N/A
Thread Size	N/A
Travel Speed - Maximum	53.34 mpm (175 fpm)
Wire/Cable Type	N/A

Material Info

Engineering Number	5400JH
--------------------	--------



EU ELV

Not Reviewed

EU RoHS

Not Reviewed

REACH SVHC

Not Reviewed

Halogen-Free

Status

Not Reviewed

For more information, please visit [Contact US](#)

China ROHS

Not Reviewed

ELV

Not Reviewed

RoHS Phthalates

Not Reviewed

Search Parts in this Series

[130118 Series](#)

PLEASE CHECK WWW.MOLEX.COM FOR LATEST PART INFORMATION