

PLEASE CHECK WWW.MOLEX.COM FOR LATEST PART INFORMATION

Part Number: [130066-0186](#)
Status: **Active**
Overview: Brad® Quick-Change® Connectors
Description: Quick-Change® BradPower™, Male, 1/2"-14 NPT, 4 Poles, Receptacle, 10/1 AWG, Length 0.50m, Alt Key

Documents:

[Drawing \(PDF\)](#) [RoHS Certificate of Compliance \(PDF\)](#)

Agency Certification

UL E258922

General

Product Family Industrial Receptacles
 Series [130066](#)
 IP Rating IP67
 Overview [Brad® Quick-Change® Connectors](#)
 Product Name Quick-Change®
 Type Single Ended (pigtail)
 UPC 78678801303

Physical

Coupling Type External Thread
 Gender Male
 Keyway Alternate
 Length 0.050m
 Material - Component Gray Anodized Aluminum
 Mounting Thread Size 1/2" - 14 NPT
 Net Weight 453.540/kg
 Orientation Straight
 Panel Mount Front
 Poles 4
 Temperature Range - Operating -20°C to +90°C
 Wire Size AWG 10
 Wire/Cable Type THHN

Electrical

Current - Maximum per Contact 25A
 Voltage - Maximum 600V

Material Info

Old Part Number CR4106A30M005

Reference - Drawing Numbers

Sales Drawing SD-130066-055

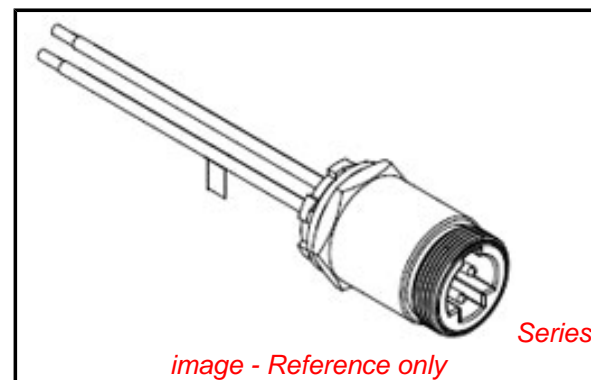


image - Reference only

EU RoHS

Not RoHS Compliant
REACH SVHC
 Not Reviewed
Low-Halogen Status
 Not Reviewed

China RoHS



Need more information on product environmental compliance?

Email productcompliance@molex.com
 For a multiple part number RoHS Certificate of Compliance, [click here](#)

Please visit the [Contact Us](#) section for any non-product compliance questions.

Search Parts in this Series

[130066Series](#)

PLEASE CHECK WWW.MOLEX.COM FOR LATEST PART INFORMATION