

**PLEASE CHECK WWW.MOLEX.COM FOR LATEST PART INFORMATION**

**Part Number:** [130066-0143](#)  
**Status:** **Active**  
**Overview:** Brad® Quick-Change® Connectors  
**Description:** Quick-Change® BradPower™, Male, 3/4"-14 NPT, 3 Poles, Receptacle, 10/1 AWG, Length 0.50m

**Documents:**

[Drawing \(PDF\)](#) [RoHS Certificate of Compliance \(PDF\)](#)

**Agency Certification**

UL E258922

**General**

Product Family Industrial Receptacles  
 Series [130066](#)  
 IP Rating IP67  
 Overview [Brad® Quick-Change® Connectors](#)  
 Product Name Quick-Change®  
 Type Single Ended (pigtail)  
 UPC 78678883695

**Physical**

Coupling Type External Thread  
 Gender Male  
 Keyway Single  
 Length 0.050m  
 Material - Component Gray Anodized Aluminum  
 Mounting Thread Size 3/4" - 14 NPT  
 Net Weight 5.260g  
 Orientation Straight  
 Panel Mount Front  
 Poles 3  
 Temperature Range - Operating -20°C to +90°C  
 Wire Size AWG 10  
 Wire/Cable Type THHN

**Electrical**

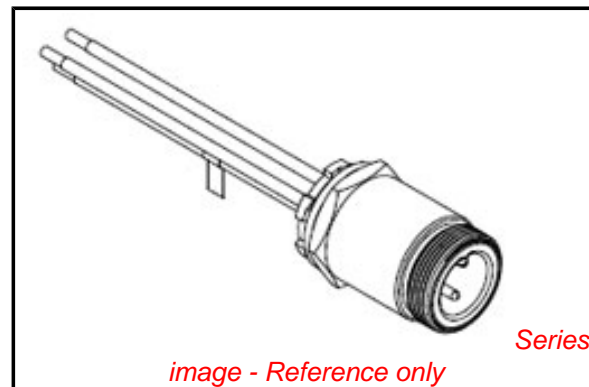
Current - Maximum per Contact 30A  
 Voltage - Maximum 600V

**Material Info**

Old Part Number CR3C06A30M005

**Reference - Drawing Numbers**

Sales Drawing SD-130066-053



*image - Reference only*

**EU RoHS**

**Not RoHS Compliant**  
**REACH SVHC**  
 Not Reviewed  
**Low-Halogen Status**  
**Not Reviewed**

**China RoHS**



**Need more information on product environmental compliance?**

Email [productcompliance@molex.com](mailto:productcompliance@molex.com)  
 For a multiple part number RoHS Certificate of Compliance, [click here](#)

Please visit the [Contact Us](#) section for any non-product compliance questions.

**Search Parts in this Series**

130066Series