

PLEASE CHECK WWW.MOLEX.COM FOR LATEST PART INFORMATION

Part Number: [1300640437](#)
Status: **Active**
Overview: Brad Quick-Change Connectors
Description: Quick-Change Double-Ended Cordset, 3 Poles, Female (Straight) to Male (Straight), 10 AWG, TPE Cable, 2.0m (6.56') Length

Documents:

[Drawing \(PDF\)](#) [RoHS Certificate of Compliance \(PDF\)](#)

Agency Certification

UL E258922

General

Product Family Industrial Cordsets
 Series [130064](#)
 Connector End A Quick-Change
 Connector End B Quick-Change
 IP Rating IP67
 Material - Contact Copper Alloy
 Overview [Brad Quick-Change Connectors](#)
 Product Name Quick-Change
 Type Double Ended
 UPC 78172545022

Physical

Cable Length 2.0m (6.56')
 Color - Cable Jacket Black
 Coupling Style Threaded
 Gender Female-Male
 Keyway Single
 LED Indicator No
 Material - Cable Jacket TPE
 Material - Connector Body PVC
 Material - Coupling Nut Anodized Aluminum
 Material - Plating Mating Gold
 Orientation Straight to Straight
 Poles 3
 Temperature Range - Operating -20°C to +90°C
 Wire Size AWG 10
 Wire/Cable Type TC-ER

Electrical

Current - Maximum per Contact 32.0A
 Voltage - Maximum 600V AC/DC

Material Info

Engineering Number CC3030K19M020E

Reference - Drawing Numbers

Sales Drawing SD-130064-005

EU ELV

Not Reviewed

EU RoHS

Not Reviewed

REACH SVHC

Not Reviewed

Halogen-Free

Status

Not Reviewed

Need more information on product environmental compliance?

Email productcompliance@molex.com
 Please visit the [Contact Us](#) section for any non-product compliance questions.

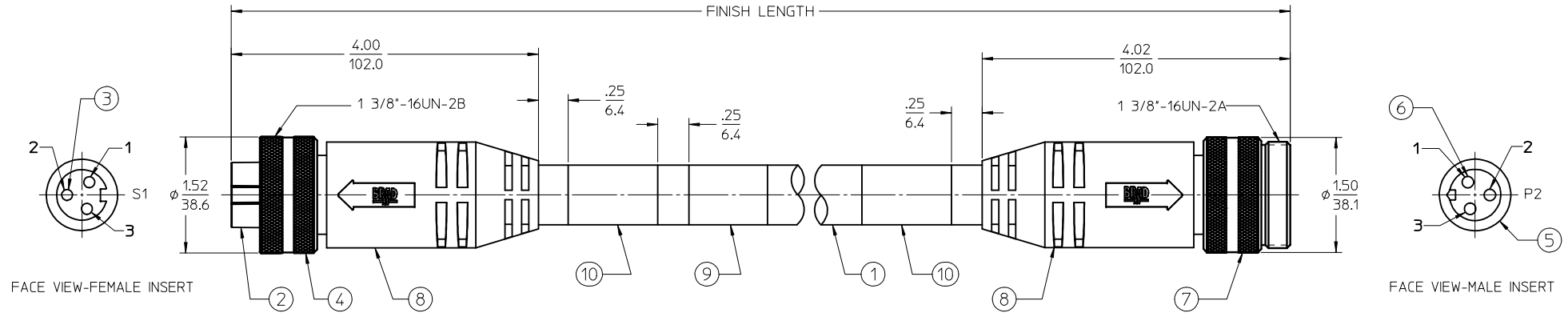
China ROHS	Not Reviewed
ELV	Not Reviewed
RoHS Phthalates	Not Reviewed

Search Parts in this Series

[130064](#) Series

MATERIAL NO.	ENGINEERING NO.	LENGTH
1300640447	CC3030K19M010E	1M
1300640448	CC3030K19M030E	3M
1300640449	CC3030K19M040E	4M

(B1) CABLE LENGTH TOLERANCES
 >.3M [1FT]: +19mm-0 [+7.5in-0]
 .3 - .9M [1 - 3FT]: +44.5mm-0 [+1.75in-0]
 .9 - 1.8M [3 - 6FT]: +55.6mm-0 [+2.19in-0]
 1.8 - 3.7M [6 - 12FT]: +88.9mm-0 [+3.50in-0]
 3.7 - 7.3M [12 - 24FT]: +165.1mm-0 [+6.50in-0]
 7.3-14.6M [24 - 48FT]: +317.5mm-0 [+12.50in-0]
 14.6 - 30.5M [48-100FT]: +622.3mm-0 [+24.50in-0]
 OVER 30M [100FT] +2% OF FINISHED LENGTH



- (B1) NOTES:**
1. MATERIAL: AS NOTED
 2. FINISHES: AS NOTED
 3. ELECTRICAL SPECIFICATIONS
 VOLTAGE RATING: 630V PER IEC60664
 600V PER UL2237
 CURRENT RATING: 32 AMPS
 4. PROTECTION: IP67 (WHEN MATED)
 5. TEMP RANGE: -20°C TO +90°C
 6. AGENCY LISTING: E258922
 7. DIMS SHOWN ARE FOR REFERENCE UNLESS NOTED OTHERWISE

CC3030K19M010E

cable type
TPE Cable
10/3C AWG
BLACK

cable length
001 = .1 Meter
010 = 1 Meter
020 = 2 Meter



WIRING DIAGRAM

ITEM	DESCRIPTION	MATERIAL	FINISH
10	WARNING LABEL	VINYL	ORANGE/BLACK
9	WRAP LABEL	VINYL	BLACK/YELLOW
8	OVERMOLDS	PVC	RED
7	COUPLING, MALE THREAD	ALUMINUM	CLEAR ANODIZE
6	CONTACT PIN	Cu ALLOY	GOLD PLATED
5	INSERT, MALE	PVC	BLACK
4	COUPLING, FEMALE THREAD	ALUMINUM	CLEAR ANODIZE
3	CONTACT SOCKET	Cu ALLOY	GOLD PLATED
2	INSERT, FEMALE	PVC	BLACK
1	CABLE, 10/3 TC-ER	TPE JACKET	BLACK
ITEM	DESCRIPTION	MATERIAL	FINISH

UPDATE NOTES: ADD P/N & LENGTH TO TABLE EC NO: IPG2017-0977 DRWR:STONE 2017/04/14 CHKDM: Z TEL INSK 2017/04/28 APPR: BWOODMAN 2017/05/14	QUALITY SYMBOLS ▽=0 ▽=0	GENERAL TOLERANCES (UNLESS SPECIFIED) <table border="1"> <thead> <tr> <th></th> <th>mm</th> <th>INCH</th> </tr> </thead> <tbody> <tr> <td>4 PLACES</td> <td>± .---</td> <td>± .---</td> </tr> <tr> <td>3 PLACES</td> <td>± .---</td> <td>± .---</td> </tr> <tr> <td>2 PLACES</td> <td>± .---</td> <td>± .---</td> </tr> <tr> <td>1 PLACE</td> <td>± .---</td> <td>± .---</td> </tr> </tbody> </table>		mm	INCH	4 PLACES	± .---	± .---	3 PLACES	± .---	± .---	2 PLACES	± .---	± .---	1 PLACE	± .---	± .---	DIMENSION STYLE IN/MM DRAWN BY: B.RUPERT DATE: 01/12/10 CHECKED BY: TWOLDEGE DATE: 2014/08/29 APPROVED BY: BWOODMAN DATE: 2014/09/04 MATERIAL NO.	SCALE: 1:2 DESIGN UNITS: INCH THIRD ANGLE PROJECTION
		mm	INCH																
4 PLACES	± .---	± .---																	
3 PLACES	± .---	± .---																	
2 PLACES	± .---	± .---																	
1 PLACE	± .---	± .---																	
DRAFT WHERE APPLICABLE MUST REMAIN WITHIN DIMENSIONS		TITLE: QUICK CHANGE ASSEMBLY 3 POLE FEMALE/MALE ST/ST 10/3C AWG BLACK MOLEX INCORPORATED DOCUMENT NO. SD-130064-005 SHEET NO. 1 OF 1																	