

**PLEASE CHECK WWW.MOLEX.COM FOR LATEST PART INFORMATION**

**Part Number:** [1300621009](#)  
**Status:** **Active**  
**Overview:** [Brad Mini-Change Connectors](#)  
**Description:** Mini-Change Double-Ended Cordset, 3 Poles, Female (Straight) to Male (Straight), 14 AWG, TPE Cable, 2.0m (6.56') Length

**Documents:**

[Drawing \(PDF\)](#) [RoHS Certificate of Compliance \(PDF\)](#)

**Agency Certification**

UL E258922

**General**

Product Family Industrial Cordsets  
 Series [130062](#)  
 Connector End A Mini-Change  
 Connector End B Mini-Change  
 IP Rating IP67  
 Material - Contact Copper Alloy  
 Overview [Brad Mini-Change Connectors](#)  
 Product Name Mini-Change  
 Type Double Ended  
 UPC 78172545163

**Physical**

Cable Length 2.0m (6.56')  
 Color - Cable Jacket Black  
 Coupling Style Threaded  
 Gender Female-Male  
 Keyway Single  
 LED Indicator No  
 Material - Cable Jacket TPE  
 Material - Connector Body PVC  
 Material - Coupling Nut Black Epoxy Coated Zinc  
 Material - Plating Mating Gold  
 Orientation Straight to Straight  
 Poles 3  
 Temperature Range - Operating -20°C to +90°C  
 Wire Size AWG 14  
 Wire/Cable Type TC-ER

**Electrical**

Current - Maximum per Contact 15.0A  
 Voltage - Maximum 600V

**Material Info**

Engineering Number 113030K20M020E

**Reference - Drawing Numbers**

Sales Drawing SD-130062-021

**EU ELV**

**Not Relevant**

**EU RoHS**

**Not Reviewed**

**REACH SVHC**

Not Reviewed

**Halogen-Free**

**Status**

**Not Reviewed**

**Need more information on product environmental compliance?**

Email [productcompliance@molex.com](mailto:productcompliance@molex.com)  
 Please visit the [Contact Us](#) section for any non-product compliance questions.

China ROHS	Not Reviewed
ELV	Not Relevant
RoHS Phthalates	Not Reviewed

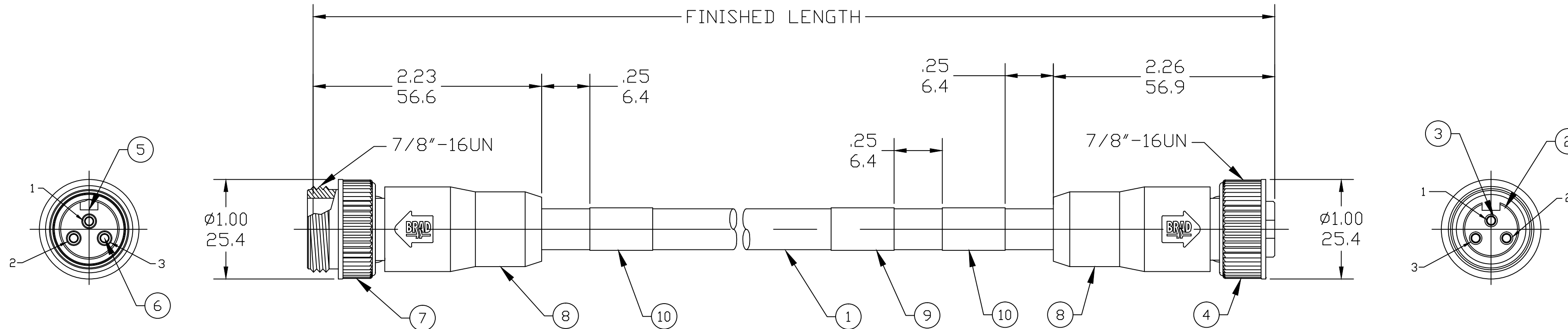
**China RoHS**

**Search Parts in this Series**

[130062](#) Series

PART NO.	ENGINEERING NO.	FINISHED LENGTH
1300621011	113030K20M010E	1.0M
1300621012	113030K20M030E	3.0M
1300621013	113030K20M040E	4.0M

CABLE LENGTH TOLERANCES	
>.3M [1FT]:	+19mm-0 [+ .75in-0]
.3 - .9M [1 - 3FT]:	+44.5mm-0 [+1.75in-0]
.9 - 1.8M [3 - 6FT]:	+55.6mm-0 [+2.19in-0]
1.8 - 3.7M [6 - 12FT]:	+88.9mm-0 [+3.50in-0]
3.7 - 7.3M [12 - 24FT]:	+165.1mm-0 [+6.50in-0]
7.3-14.6M [24 - 48FT]:	+317.5mm-0 [+12.50in-0]
14.6 - 30.5M [48-100FT]:	+622.3mm-0 [+24.50in-0]
OVER 30M [100FT]	+2% OF FINISHED LENGTH



- NOTES:**
- MATERIAL: AS NOTED
  - FINISH: AS NOTED
  - ELECTRICAL:  
VOLTAGE: 500V PER IEC60664 (B1)  
600V PER UL2237  
CURRENT: 15A
  - TEMP RATING: -20° TO +90°C
  - PROTECTION: IP67 (WHEN MATED)
  - AGENCY LISTING: E258922
  - ALL DIMS ARE FOR REFERENCE UNLESS NOTED OTHERWISE

### PART NO. LEGEND

113030K20M020E

- CABLE TYPE  
14/3 AWG TC-ER  
BLACK TPE
- CABLE LENGTH  
M005= 0.5 METER  
M010= 1 METER  
M100= 10 METER  
F005= .5 FEET  
F010= 1 FOOT  
F100= 10 FEET
- MOLD COLOR:  
BLANK= GRAY (STD)  
E= RED  
G= BLACK

1	GRN/YEL	1
2	BLACK	2
3	WHITE	3

WIRING DIAGRAM

ITEM	DESCRIPTION	MATERIAL	FINISH
10	WARNING LABEL	VINYL	ORANGE/BLACK
9	WRAP LABEL	VINYL	BLACK/YELLOW
8	OVERMOLD	PVC	SEE P/N LEGEND
7	MALE COUPLING NUT	ZINC ALLOY	BLACK
6	CONTACT PIN	Cu ALLOY	GOLD PLATED
5	MALE INSERT	PVC	BLACK
4	FEMALE COUPLING NUT	ZINC ALLOY	BLACK
3	CONTACT SOCKET	Cu ALLOY	GOLD PLATE
2	FEMALE INSERT	PVC	BLACK
1	CABLE 14AWG TC-ER	TPE	BLACK

IEC VOLTS WAS 400, ADD PIN CHRT, TOLS EC NO.: IPG2017-0940 DRWN: RSTONE 4/13/17 CH'KD: K COX 2017/04/28 APPR: BWOODMAN2014/09/04	QUALITY SYMBOL ▽=0 ▽C=0	GENERAL TOLERANCES (UNLESS SPECIFIED)		DIMENSION STYLE IN/MM		SCALE NTS	DESIGN UNITS INCH	THIRD ANGLE PROJECTION		
		4 PLACES	±---	±---	DRAWN BY	DATE	TITLE			
		3 PLACES	±---	±---	GGUSTAFS	2014/07/09	MINI-CHANGE ASSEMBLY			
		2 PLACES	±---	±---	TWOLDEGE	2014/08/21	3P MALE ST TO FEM STR			
1 PLACE	±---	±---	ANGULAR ±---°		APPROVED BY	DATE	MOLEX INCORPORATED		SHEET NO. 1 OF 1	
DRAFT WHERE APPLICABLE MUST REMAIN WITHIN DIMENSIONS		MATERIAL NO. -		DOCUMENT NO. SD-130062-021						
SIZE C		THIS DRAWING CONTAINS INFORMATION THAT IS PROPRIETARY TO MOLEX INCORPORATED AND SHOULD NOT BE USED WITHOUT WRITTEN PERMISSION								