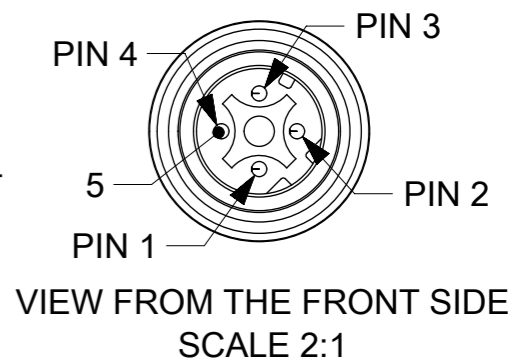
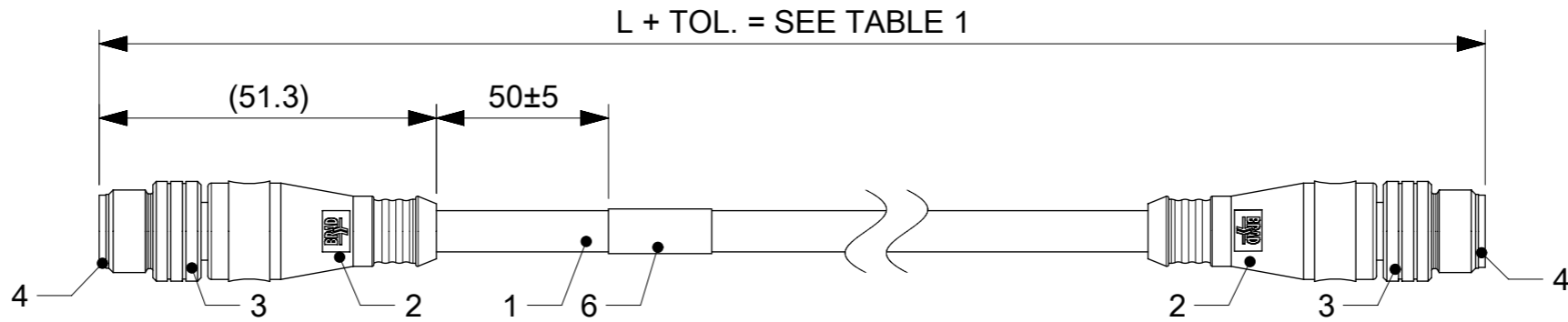
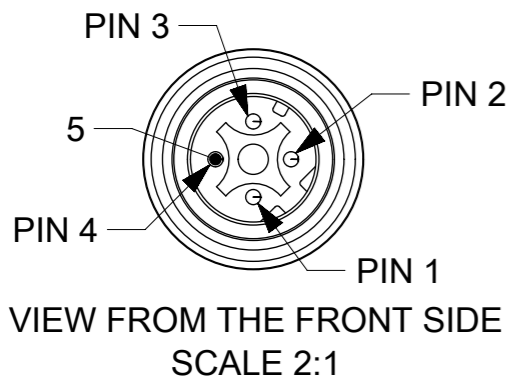
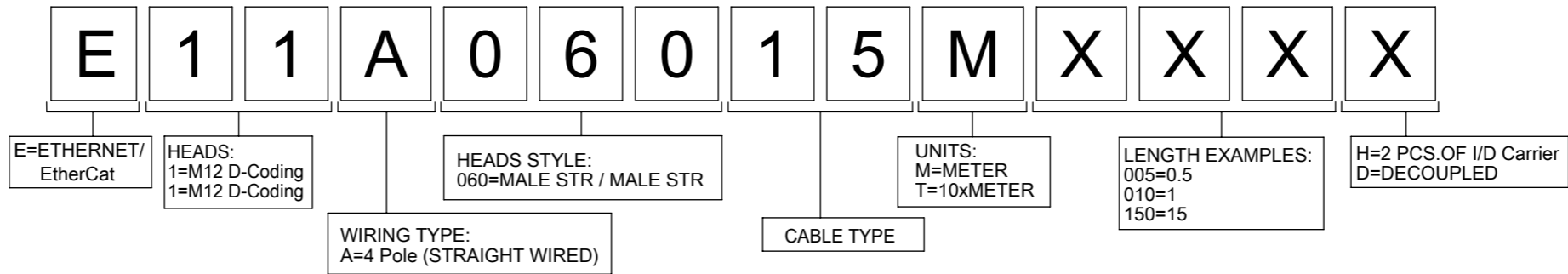


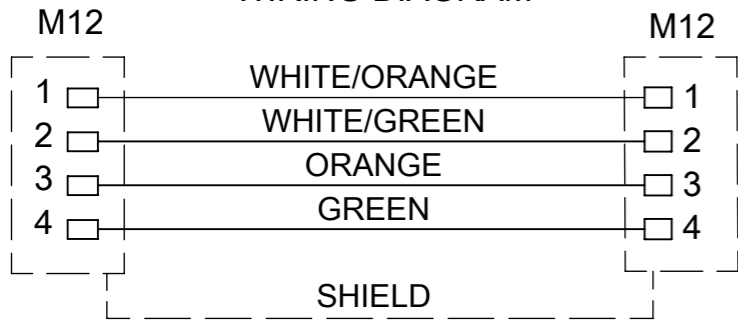
# CABLE SPECIFICATION

**CONDUCTOR:**  
 MATERIAL: TINED COPPER  
 SECTION: 26AWG  
**INSULATION:**  
 COMPOUND: POLYOLEFIN  
**JACKET:**  
 COMPOUND: PVC  
 COLOR: TEAL  
 NOM. DIAMETER: 5.99mm  
 TEMPERATURE RATING:  
 -20°C TO +75°C  
 VOLTAGE RATING MAX: 300V RMS  
 DIELECTRIC WITHSTANDING MIN: 1500V RMS

# PART No MATRIX



## WIRING DIAGRAM



| OVER  | UP TO AND INCLUDING | TOLERANCE (+) |
|-------|---------------------|---------------|
| 0     | 305                 | +19           |
| 305   | 915                 | +45           |
| 915   | 1830                | +56           |
| 1830  | 3660                | +89           |
| 3660  | 7320                | +165          |
| 7320  | 14640               | +317          |
| 14640 | 30500               | +610          |
| 30500 | >                   | +2% OF LENGTH |

## BILL OF MATERIALS

| ITEM | QTY. | DESCRIPTION              | MATERIAL     | FINISH           |
|------|------|--------------------------|--------------|------------------|
| 6    | 1    | LABEL WH                 | -            | -                |
| 5    | 8    | CONTACT MA               | COPPER ALLOY | GOLD OVER NICKEL |
| 4    | 2    | INSERT MA 4P DC BK       | PUR          | -                |
| 3    | 2    | COUPLING NUT             | BRASS        | NICKEL           |
| 2    | -    | MOULDING MATERIAL BK     | TBU          | -                |
| 1    | -    | CABLE 4x26AWG CAT5E TEAL | PVC          | -                |

| MOLEX PN   | ENGINEERING No | L [mm] | MOLEX PN   | ENGINEERING No | L [mm] | MOLEX PN   | ENGINEERING No | L [mm] |
|------------|----------------|--------|------------|----------------|--------|------------|----------------|--------|
| 1300480009 | E11A06015M030  | 3000   | 1300488109 | E11A06015M800  | 80000  | 1300488165 | E11A06015M420  | 42000  |
| 1300480010 | E11A06015M200  | 20000  | 1300488113 | E11A06015M350  | 35000  | 1300488166 | E11A06015M450  | 45000  |
| 1300480011 | E11A06015M400  | 40000  | 1300488125 | E11A06015M110  | 11000  | 1300488167 | E11A06015M460  | 46000  |
| 1300480122 | E11A06015M010  | 1000   | 1300488126 | E11A06015M120  | 12000  | 1300488168 | E11A06015M540  | 54000  |
| 1300480124 | E11A06015M020  | 2000   | 1300488127 | E11A06015M140  | 14000  | 1300488169 | E11A06015M550  | 55000  |
| 1300480126 | E11A06015M050  | 5000   | 1300488128 | E11A06015M060  | 6000   | 1300488170 | E11A06015M570  | 57000  |
| 1300480128 | E11A06015M100  | 10000  | 1300488145 | E11A06015M070  | 7000   | 1300488171 | E11A06015M610  | 61000  |
| 1300480130 | E11A06015M150  | 15000  | 1300488146 | E11A06015M080  | 8000   | 1300488172 | E11A06015M650  | 65000  |
| 1300480132 | E11A06015M300  | 30000  | 1300488147 | E11A06015M090  | 9000   | 1300488173 | E11A06015M700  | 70000  |
| 1300480303 | E11A06015M500  | 50000  | 1300488148 | E11A06015M130  | 13000  | 1300488174 | E11A06015M750  | 75000  |
| 1300480304 | E11A06015M680  | 68000  | 1300488159 | E11A06015M005  | 500    | 1300488175 | E11A06015M850  | 85000  |
| 1300488007 | E11A06015M250  | 25000  | 1300488160 | E11A06015M180  | 18000  | 1300488176 | E11A06015M900  | 90000  |
| 1300488012 | E11A06015M400  | 4000   | 1300488161 | E11A06015M230  | 23000  | 1300488177 | E11A06015M950  | 95000  |
| 1300488108 | E11A06015M600  | 60000  | 1300488162 | E11A06015M270  | 27000  | 1300480120 | E11A06015M006  | 600    |
|            |                |        | 1300488163 | E11A06015M340  | 34000  | 1300488210 | E11A06015M003  | 300    |
|            |                |        | 1300488164 | E11A06015M380  | 38000  |            |                |        |

THIS DRAWING CONTAINS INFORMATION THAT IS PROPRIETARY TO MOLEX ELECTRONIC TECHNOLOGIES, LLC AND SHOULD NOT BE USED WITHOUT WRITTEN PERMISSION

DIMENSION UNITS: mm SCALE: 2:1

GENERAL TOLERANCES (UNLESS SPECIFIED):

ANGULAR TOL: ± °

4 PLACES: ±

3 PLACES: ±

2 PLACES: ±

1 PLACE: ±

0 PLACES: ±

DRAFT WHERE APPLICABLE MUST REMAIN WITHIN DIMENSIONS

THIRD ANGLE PROJECTION

DRAWING: A3-SIZE

SERIES: 130048

MATERIAL NUMBER: SEE TABLE

CUSTOMER: GENERAL MARKET

SHEET NUMBER: 1 OF 1

EC NO: 651926

DRWN: ABHISP1 2020/11/26

CHK'D: GGA 2020/12/29

APPR: GGA 2020/12/29

INITIAL REVISION:

DRWN: DSTACHOWIAK 2017/06/26

APPR: MIWASIECZKO 2017/06/28

DOCUMENT NUMBER: 1300488146

DOC TYPE: PSD

DOC PART: 000

REVISION: A2

PRODUCT CUSTOMER DRAWING

CURRENT REV DESC: OBSOLETE PART NUMBER

**molex**

CSE M12 ETH 4P DC MA MA STR PVC XM DE

# Mouser Electronics

Authorized Distributor

Click to View Pricing, Inventory, Delivery & Lifecycle Information:

[Molex:](#)

[1300480307](#) [1300480303](#) [1300480305](#) [1300480304](#) [1300480306](#) [1300480308](#)