

PLEASE CHECK WWW.MOLEX.COM FOR LATEST PART INFORMATION

Part Number: [130036-0005](#)
Status: **Active**
Overview: [Brad® Mini-Change® Connectors](#)
Description: Mini-Change® Side Mount, 5 Pole, 8 Port with Pass Thru

Documents:

[Drawing \(PDF\)](#) [RoHS Certificate of Compliance \(PDF\)](#)

Agency Certification

CSA LR6837

General

Product Family	Passive Distribution Boxes
Series	130036
IP Rating	IP67
NEMA Rating	NEMA 6
Overview	Brad® Mini-Change® Connectors
Product Name	Mini-Change®
UPC	78678869022

Physical

Bus I/O	Mini-Change®
Cable Connector Orientation	N/A
Cable Length	N/A
Home Run Cable Length	N/A
Home Run Connector	N/A
Home Run Interface	N/A
Keyway	Single
LED Indicator	No
Material - Cable Jacket	N/A
Material - Housing	PBT
Material - Metal	Copper Alloy
Material - Plating Mating	Gold over Nickel
Net Weight	398.000/g
Orientation	Side Mount
Poles	5
Poles (wired)	4
Ports	4
Temperature Range - Operating	0°C to +60°C
Wiring Configuration	Single I/O per Port

Electrical

Current - Maximum per Contact	7A
Functional Wiring	PNP
Voltage - Maximum	120V AC/DC

Material Info

Old Part Number	DN4000
-----------------	--------

Reference - Drawing Numbers

Sales Drawing	SD-130036-001
---------------	---------------

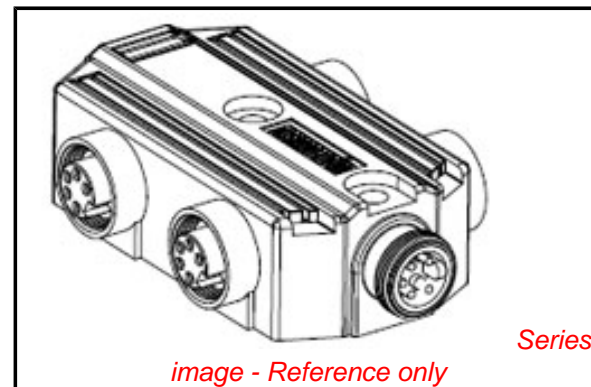


image - Reference only

EU RoHS

RoHS Compliant by Exemption
REACH SVHC
Contains SVHC: No
Low-Halogen Status
Not Low-Halogen

China RoHS



Need more information on product environmental compliance?

Email productcompliance@molex.com
 For a multiple part number RoHS Certificate of Compliance, [click here](#)

Please visit the [Contact Us](#) section for any non-product compliance questions.

Search Parts in this Series

130036Series