

**PLEASE CHECK WWW.MOLEX.COM FOR LATEST PART INFORMATION**

**Part Number:** [130036-0002](#)  
**Status:** **Active**  
**Overview:** Brad® DeviceNet\* Solutions  
**Description:** DeviceNet\* Mini-Change® Receptacle, Male Cable, 1/2 - 14 NPT Threads, 5 Poles, 0.30m

**Documents:**

[Drawing \(PDF\)](#) [RoHS Certificate of Compliance \(PDF\)](#)

**Agency Certification**

CSA LR6837

**General**

Product Family Industrial Receptacles  
 Series [130036](#)  
 IP Rating IP69K  
 Overview [Brad® DeviceNet\\* Solutions](#)  
 Product Name DeviceNet\* Drop  
 Type Single Ended (pigtail)  
 UPC 78678806823

**Physical**

Coupling Type External Thread  
 Gender Male  
 Keyway None  
 Length 0.30m  
 Material - Component Nickel-plated Brass  
 Mounting Thread Size M12  
 Net Weight 392.760/g  
 Orientation Straight  
 Panel Mount N/A  
 Poles 5  
 Temperature Range - Operating -20°C to +80°C  
 Wire Size AWG 22  
 Wire/Cable Type E152210

**Electrical**

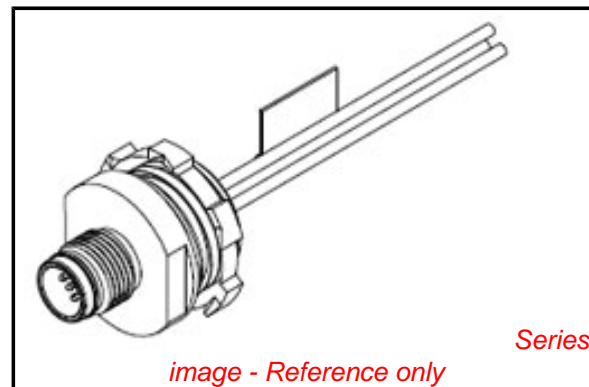
Current - Maximum per Contact 4A  
 Voltage - Maximum 250V AC/DC

**Material Info**

Old Part Number DND6100NB-M003

**Reference - Drawing Numbers**

Sales Drawing SD-130036-012



*image - Reference only*

Series

**EU RoHS**

**ELV and RoHS  
Compliant**  
**REACH SVHC  
Not Reviewed**  
**Low-Halogen Status  
Not Reviewed**

**China RoHS**



**Need more information on product environmental compliance?**

Email [productcompliance@molex.com](mailto:productcompliance@molex.com)  
 For a multiple part number RoHS Certificate of Compliance, [click here](#)

Please visit the [Contact Us](#) section for any non-product compliance questions.

**Search Parts in this Series**

130036Series