

PLEASE CHECK WWW.MOLEX.COM FOR LATEST PART INFORMATION

Part Number: [130035-0007](#)
Status: **Active**
Overview: [DeviceNet* Solutions](#)
Description: DeviceNet* Power Monitor Inline with LEDs, 5 Pole, Male to Female

Documents:

[Drawing \(PDF\)](#) [RoHS Certificate of Compliance \(PDF\)](#)

General

Product Family	Industrial Tees and Splitters
Series	130035
IP Rating	IP67
Overview	DeviceNet* Solutions
Product Name	DeviceNet* Trunk
Type	Diagnostic Tee
UPC	78678853315

Physical

Color - Cable Jacket	Gray
Drop Connector	N/A
Drop Gender	N/A
Keyway	Single
LED Indicator	Yes
Left Trunk Connector	DeviceNet*
Left Trunk Gender	Male
Leg 1 Length	N/A
Leg 2 Length	N/A
Material - Cable Jacket	N/A
Material - Connector Body	TPE
Material - Coupling Nut	Black Epoxy Coated Zinc
Net Weight	4.980/g
Poles	5
Right Trunk Connector	DeviceNet*
Right Trunk Gender	Female
Temperature Range - Operating	-20°C to +80°C

Electrical

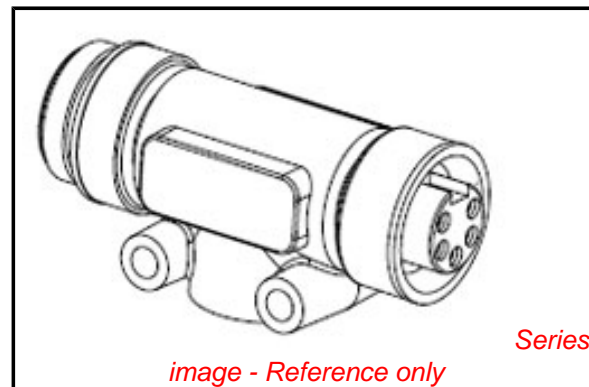
Current - Maximum per Contact	8A
Voltage - Maximum	30V AC

Material Info

Old Part Number	115011A-PM-1
-----------------	--------------

Reference - Drawing Numbers

Sales Drawing	SD-130035-009
---------------	---------------



EU RoHS

**ELV and RoHS
Compliant**

REACH SVHC

Not Reviewed

Low-Halogen Status

Not Reviewed

China RoHS



**Need more information on product
environmental compliance?**

Email productcompliance@molex.com
 For a multiple part number RoHS Certificate of
 Compliance, [click here](#)

Please visit the [Contact Us](#) section for any
 non-product compliance questions.

Search Parts in this Series

130035Series