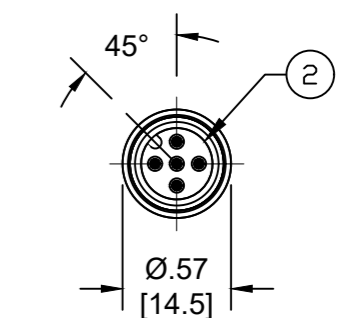
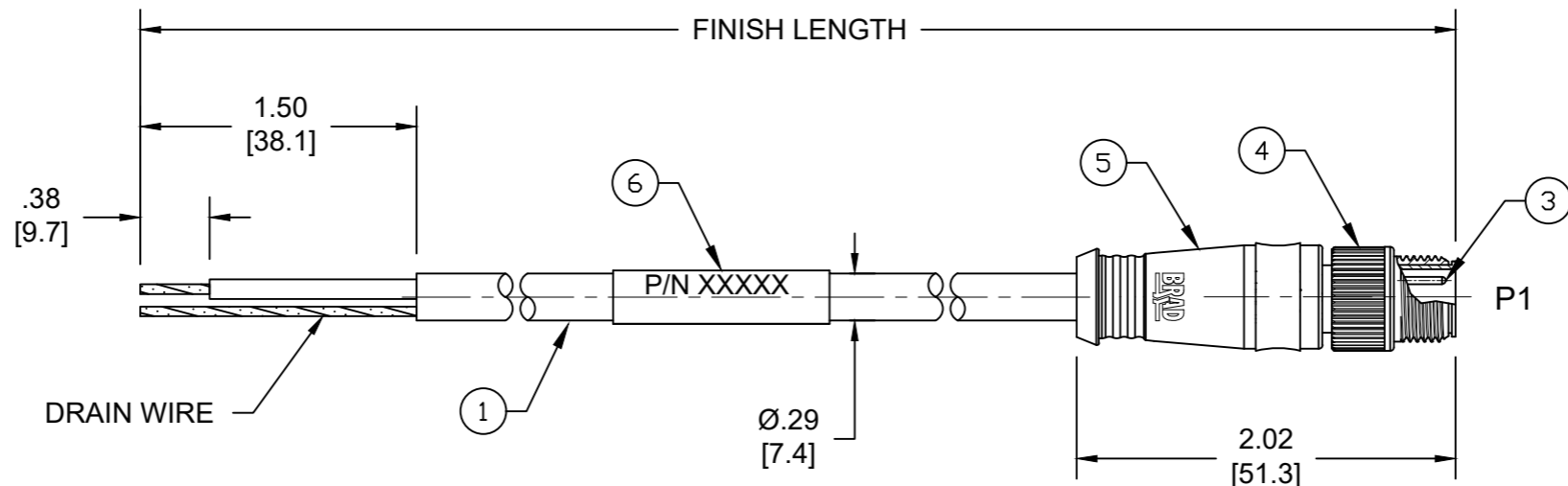
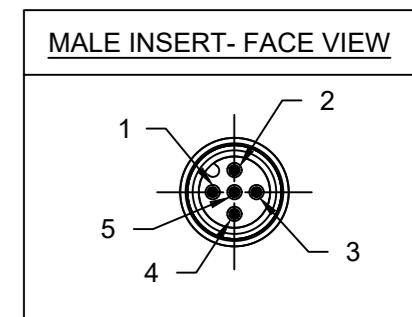


MATERIAL NUMBER	ENGINEERING NUMBER	FINISHED LENGTH
1300270012	DND02A-M010	1M [3FT 3 IN]
1300270022	DND02A-M100	10M [32FT 10 IN]
1300270027	DND02A-M250	25M [82FT]

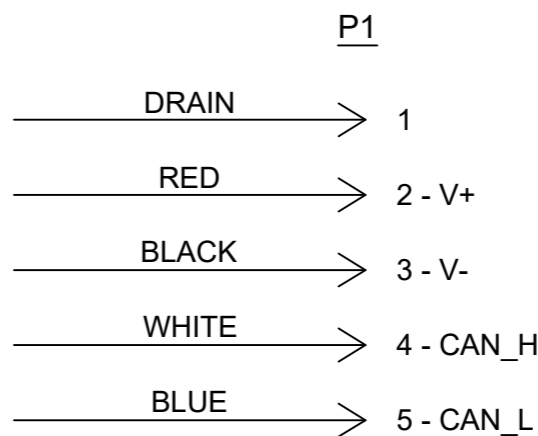


- NOTES:
- MATERIAL: AS NOTED
 - FINISH: AS NOTED
 - ELECTRICAL:
VOLTAGE: 60V ©
CURRENT: 4A
 - TEMP RATING: -20°C TO +80°C
 - PROTECTION: IP67 (WHEN MATED)
 - COUPLING THREAD: M12 X 1.0
 - UL LISTED FILE: E152210
CSA CERTIFIED: LR6837
 - ALL DIMS ARE FOR REFERENCE UNLESS TOLERANCED OR NOTED OTHERWISE

PART NUMBER LEGEND

DND02A-M010

FINISHED LENGTH:
M005= 0.5 METER
M010= 1.0 METER
M100= 10.0 METER



CABLE LENGTH TOLERANCES

<.3M [1FT]:	+19mm-0 [+ .75in-0]
.3 - .9M [1 - 3FT]:	+44.5mm-0 [+1.75in-0]
.9 - 1.8M [3 - 6FT]:	+55.6mm-0 [+2.19in-0]
1.8 - 3.7M [6 - 12FT]:	+88.9mm-0 [+3.50in-0]
3.7 - 7.3M [12 - 24FT]:	+165.1mm-0 [+6.50in-0]
7.3-14.6M [24 - 48FT]:	+317.5mm-0 [+12.50in-0]
14.6 - 30.5M [48-100FT]:	+622.3mm-0 [+24.50in-0]
OVER 30M [100FT]:	+2% OF FINISHED LENGTH

ITEM	DESCRIPTION	MATERIAL	FINISH
6	WRAP LABEL	VINYL	YELLOW
5	OVERMOLD	TPC	GRAY
4	M12 COUPLING NUT	ZINC DIE-CAST	BLACK E-COAT
3	CONTACT PIN	COPPER ALLOY	GOLD PLATED
2	INSERT, 5P MALE	NYLON	BLACK
1	DEVICENET DROP CABLE, 22 AWG	PVC JACKET	GRAY

FUNCTIONAL SYMBOLS	THIS DRAWING CONTAINS INFORMATION THAT IS PROPRIETARY TO MOLEX ELECTRONIC TECHNOLOGIES, LLC AND SHOULD NOT BE USED WITHOUT WRITTEN PERMISSION			
	DIMENSION UNITS	SCALE		
$F=0$ $E=0$ $P=0$	INCH/MM	NTS	CURRENT REV DESC: CHANGED VOLTAGE RATING FROM 250V TO 60V. MODIFIED PN CHART.	
DIVISIONAL SYMBOLS	GENERAL TOLERANCES (UNLESS SPECIFIED)		EC NO: 791028	
	4 PLACES	±----	±----	DRWN: ABENJAMINLW 2024/06/03
1 PLACE	±----	±----	CHK'D: LESPINOZA 2024/07/10	
	0 PLACES	±----	±----	APPR: BWOODMAN 2024/09/19
ANGULAR TOL ± ---- °	INITIAL REVISION:		DOCUMENT NUMBER	
DRAFT WHERE APPLICABLE MUST REMAIN WITHIN DIMENSIONS	THIRD ANGLE PROJECTION	DRAWING	SERIES	DOC TYPE/DOC PART/REVISION
		B-SIZE	130027	SD-130027-001 PSD 001 C
		SEE CHART	GENERAL MARKET	SHEET NUMBER 1 OF 1