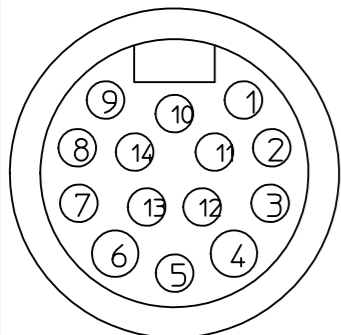


14 POLE



WIDOK OD STRONY DRUTOW
VIEW FROM WIRES SIDE

Pin	Kolor przew.	Wire color
1	SZARO/ROZOWY	GY/PK
2	BIALO/ZIELONY	WH/GN
3	BIALO/ZOLTY	WH/YE
4	BRAZOWY	BN
5	BRAZOWO/ZOLTY	BN/YE
6	NIEBIESKI	BU
7	ZOLTY	YE
8	ZIELONY	GN
9	ROZOWY	PK
10	BIALY	WH
11	CZERWONO/NIEBIESKI	RD/BU
12	BRAZOWO/ZIELONY	BN/GN
13	SZARY	GY
14	CZERWONY	RD

PART No MATRIX

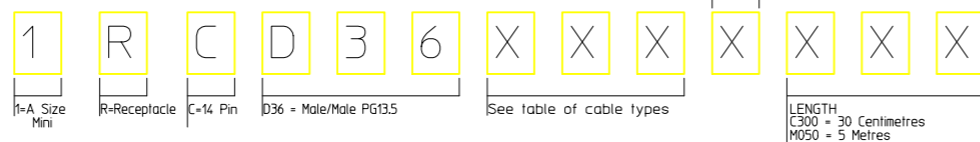
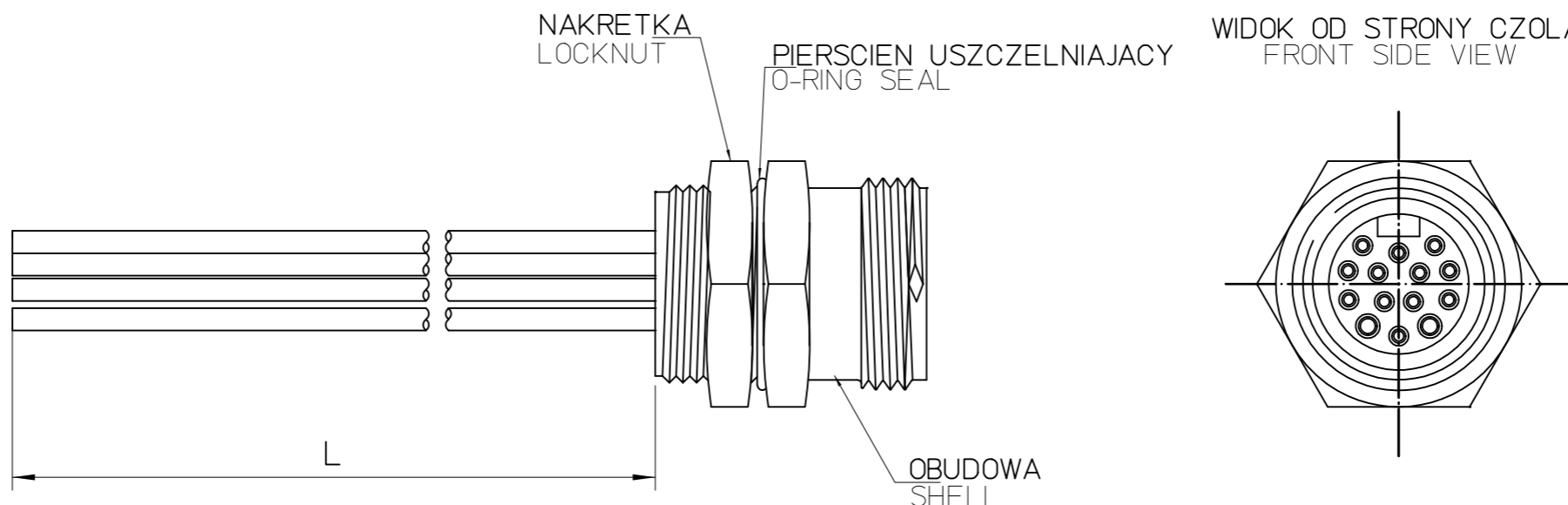


TABELA 1
CHART 1

MOLEX PN	WOODHEAD PN	L(mm)	TOLERANCE[MM]
1300135005	1RCD36E78C4003	400	±25
1300138027	1RCD36E78M0203	2000	±25
1300150188	1RCD36E78C2003	200	±25
1300150189	1RCD36E78C5003	500	±25

NAKRETKA
LOCKNUT
PIERSCIEN USZCZELNIAJACY
O-RING SEAL

WIDOK OD STRONY CZOLA
FRONT SIDE VIEW



UWAGI:

1. DŁUGOSCI CIECIA I SPECYFIKACJE NABIJANIA WG LISTY CIECIA.

NOTES:

1. CUTTING LENGTH AND CRIMPING SPECIFICATION IN CUTTING LIST.

ORIGINAL RELEASE EC NO: DRWN:MWOLSZCZAK2008/08/02 CHKD: APPR:	DESCRIPTION REV	QUALITY SYMBOLS ▽=0 ∇=0	GENERAL TOLERANCES (UNLESS SPECIFIED)		DIMENSION STYLE MM ONLY		SCALE ---	DESIGN UNITS METRIC	FIRST ANGLE PROJECTION		
			mm	INCH	DRAWN BY MWOLSZCZAK	DATE 2008/08/02	TITLE MC-14P-MM-REC				
			4 PLACES ±	±	CHECKED BY	DATE	-PG13.5-XM-PVC				
			3 PLACES ±	±	APPROVED BY KOTYPKO	DATE 2008/08/02	MOLEX INCORPORATED				
		2 PLACES ±	±	MATERIAL NO.	SEE NOTE 1	DOCUMENT NO.	1RCD36XXXXXX			SHEET NO. 1 OF 1	
		1 PLACE ±	±	DRAFT WHERE APPLICABLE MUST REMAIN WITHIN DIMENSIONS							
		ANGULAR ± °		THIS DRAWING CONTAINS INFORMATION THAT IS PROPRIETARY TO MOLEX INCORPORATED AND SHOULD NOT BE USED WITHOUT WRITTEN PERMISSION							