

PLEASE CHECK WWW.MOLEX.COM FOR LATEST PART INFORMATION

Part Number: [130015-0121](#)
Status: **Active**
Overview: Brad® Mini-Change® Products
Description: Mini-Change® C-Size Receptacle with Leads 1/2" - 14NPT Threads, Straight Female, 9 Poles, Length 0.91m

Documents:

[Drawing \(PDF\)](#) [RoHS Certificate of Compliance \(PDF\)](#)

Agency Certification

CSA LR6837
 UL E152210

General

Product Family Industrial Receptacles
 Series [130015](#)
 Comments C-Size (1-1/8" - 16 UN-2A)
 IP Rating IP67
 NEMA Rating NEMA 6
 Overview [Brad® Mini-Change® Products](#)
 Product Name Mini-Change®
 Type Single Ended (pigtail)
 UPC 78678836821

Physical

Coupling Type External Thread
 Gender Female
 Keyway Single
 Length 0.91m
 Material - Component Zinc Die-Cast with Black Epoxy
 Mounting Thread Size 1/2" - 14 NPT
 Net Weight 130.180g
 Orientation Straight
 Panel Mount N/A
 Poles 9
 Temperature Range - Operating -20°C to +105°C
 Wire Size AWG 16
 Wire/Cable Type N/A

Electrical

Current - Maximum per Contact 7A
 Voltage - Maximum 600V AC/DC

Material Info

Old Part Number 3R9004A20F030

Reference - Drawing Numbers

Sales Drawing SD-130015-002

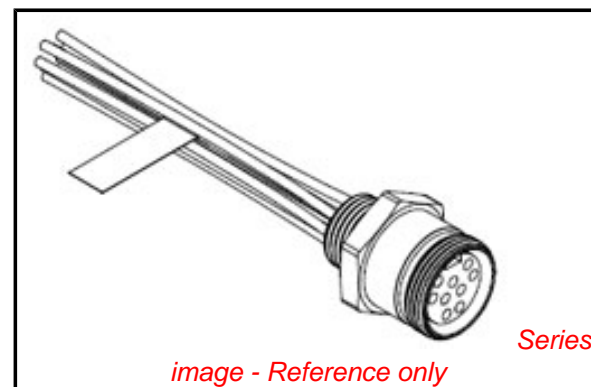


image - Reference only

EU RoHS

RoHS Compliant by Exemption

REACH SVHC

Not Reviewed

Low-Halogen Status

Not Reviewed

China RoHS



Need more information on product environmental compliance?

Email productcompliance@molex.com
 For a multiple part number RoHS Certificate of Compliance, [click here](#)

Please visit the [Contact Us](#) section for any non-product compliance questions.

Search Parts in this Series

130015Series