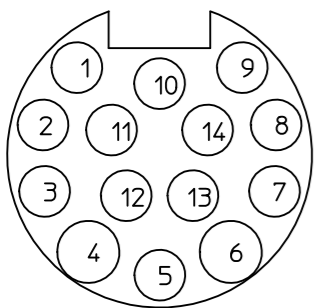


# 14 POLE



OBUDOWA 14 POLOWA  
WIDOK OD STRONY DRUTOW  
INSERT 14P  
VIEW FROM WIRES SIDE

Pin	Kolor przew.	Wire color
1	SZARO/ROZOWY	GY/PK
2	BIALO/ZIELONY	WH/GN
3	BIALO/ZOLTY	WH/YE
4	BRAZOWY	BN
5	BRAZOWO/ZOLTY	BN/YE
6	NIEBIESKI	BU
7	ZOLTY	YE
8	ZIELONY	GN
9	ROZOWY	PK
10	BIALY	WH
11	CZERWONO/NIEBIESKI	RD/BU
12	BRAZOWO/ZIELONY	BN/GN
13	SZARY	GY
14	CZERWONY	RD

## PART No MATRIX

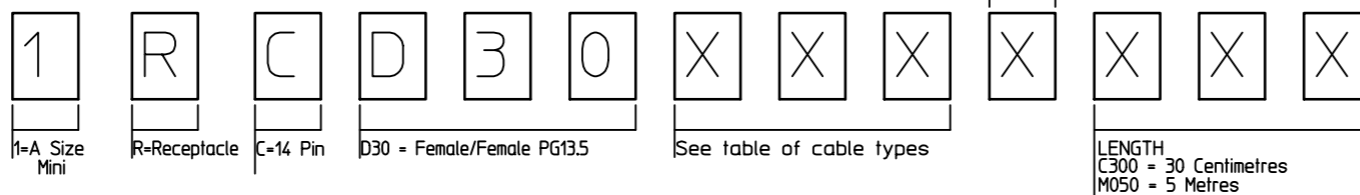
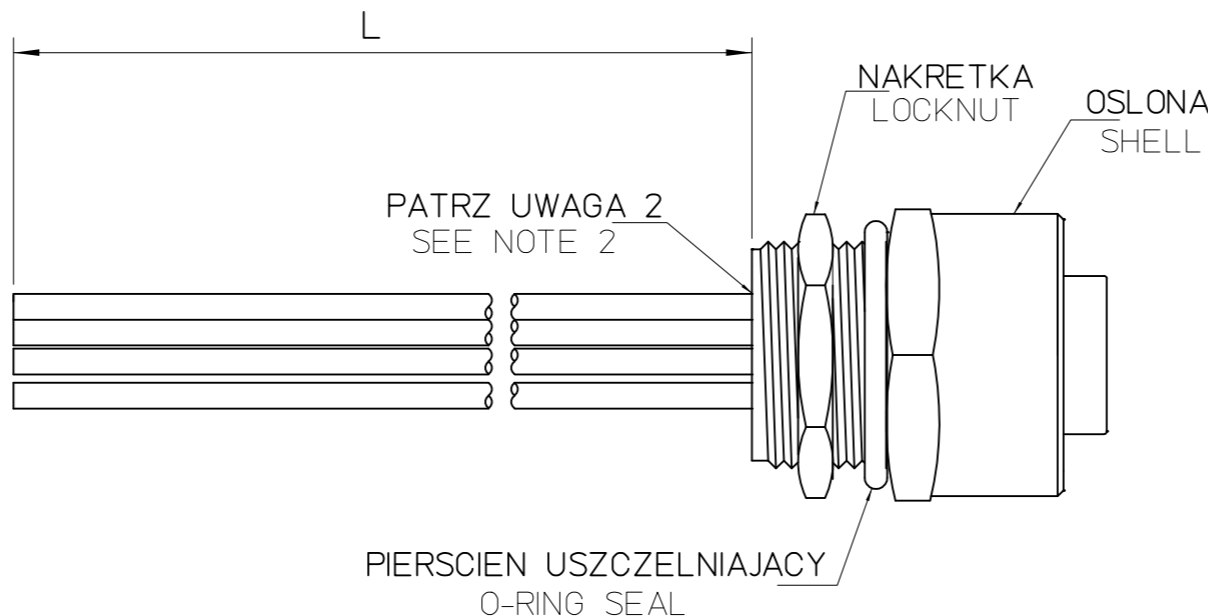


TABELA 1  
CHART 1

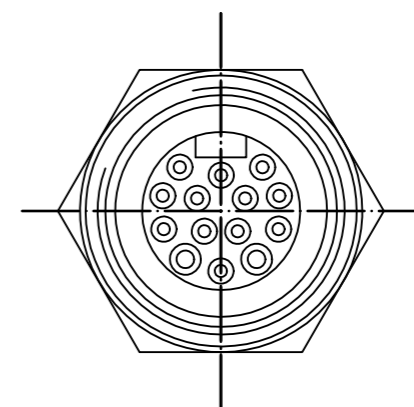
MOLEX PN	WOODHEAD PN	L(mm)
1300130987	1RCD30E78C2003	200
1300150187	1RCD30E78M020	2000
1300150240	1RCD30E78C2003	200

Tablica tolerancji dlugosci  
Table of length tolerances

Powyzej Over	Do-wlacznie Up to and including	Tolerancja (+) Tolerance
0	305	+19
305	915	+45
915	1830	+56
1830	3660	+89
3660	7320	+165
7320	14640	+317
14640	30500	+622
30500	>	+2% dlugosci of length



WIDOK OD STRONY CZOLA  
FRONT SIDE VIEW



### UWAGI:

- DLUGOSCI CIECIA I SPECYFIKACJE NABIJANIA WG LISTY CIECIA.
- PO OSADZENIU KONTAKTOW ZALAC KLEJEM.

### NOTES:

- CUTTING LENGHT AND CRIMPING SPECIFICATION IN CUTTING LIST.
- AFTER ASSEMBLING TERMINALS FILL WITH GLUE.

ORIGINAL RELEASE EC NO: DRWN:KOTYPKO 2008/06/01 CHKD: APPR:	DESCRIPTION REV	QUALITY SYMBOLS ▽=0 ▽=0	GENERAL TOLERANCES (UNLESS SPECIFIED)		DIMENSION STYLE MM ONLY		SCALE ---	DESIGN UNITS METRIC	FIRST ANGLE PROJECTION		
			mm	INCH	DRAWN BY KOTYPKO	DATE 2008/06/01	TITLE MC-14P-FE-REC				
			4 PLACES ±	±	CHECKED BY MWOLSZCZAK	DATE 2008/06/01	-PG13.5-XM-PVC				
			3 PLACES ±	±	APPROVED BY DWARWAS	DATE 2008/06/03	MOLEX MOLEX INCORPORATED				
		2 PLACES ±	±	MATERIAL NO. SEE CHART 1		DOCUMENT NO. 1RCD30XXXXXX		SHEET NO. 1 OF 1			
		1 PLACE ±	±	THIS DRAWING CONTAINS INFORMATION THAT IS PROPRIETARY TO MOLEX INCORPORATED AND SHOULD NOT BE USED WITHOUT WRITTEN PERMISSION							
		ANGULAR ± °									
DRAFT WHERE APPLICABLE MUST REMAIN WITHIN DIMENSIONS											