

Receptacle Catalog Number Matrix

Use these Catalog Number Matrices to generate a custom or existing part number. From each grouping of specifications choose the corresponding code to create a single 13 character alpha/numeric part number for ordering. Below is an example of a properly constructed Receptacle part number and how it translates to an actual part.

3R2004A20A1201

12 Pole Female Straight Receptacle with 12" leads, 16 AWG, PVC, U.S. Color Code, Optional Stainless Steel Shell

3 R 2 0 0 4 A 2 0 A 1 2 0 1

						<p>LENGTH</p> <p>1st Digit 10 X Length 2nd Digit 1 X Length 3rd Digit .1 X Length</p>	
				<p>UNIT OF MEASURE</p> <p>A Inches F Feet Note: use feet for length greater than 1 foot</p>			
				<p>WIRE TYPE</p> <p>A16 18 AWG PVC UL 1015 IEC DC Color Code 3P & 4P A17 18 AWG PVC UL 1061 AUTO Color Code 3P-5P A20 16 AWG PVC UL 1015 U.S. Color Code 2P-12P A24 16 AWG PVC UL 1015 AUTO Color Code 3P & 5P A25 18 AWG PVC UL 1015 IEC AC Color Code 3P & 5P</p>			
		<p>RECEPTACLE TYPE</p> <p>004 Female Straight, ½" - 14NPT Mounting Thread 005 Female 90°, ½" - 14NPT Mounting Thread 2-6 Pole A-size only 006 Male Straight, ½" - 14NPT Mounting Thread 007 Male 90°, ½" - 14NPT Mounting Thread 2-6 Pole A-size only D04 Female Straight, PG13.5 Mounting Thread, 3-5 Pole only D06 Male Straight, PG13.5 Mounting Thread, 3-5 Pole only G04 Female Straight Flange Mount 2-6 Pole A-size only G06 Male Straight Flange Mount 2-6 Pole A-size only</p>					
		<p>NUMBER OF POLES</p> <p>X X Pole: 2 to 9 Pole 1 10 Pole C-size only 2 12 Pole C-size only</p>					
<p>PRODUCT FAMILY (2 characters)</p> <p>1st Character</p> <p>1 2 to 6 Pole (A-size) 2 6 to 8 Pole (B-size) 3 9, 10, 12 Pole (C-size)</p> <p>2nd Character</p> <p>R Receptacle</p>				<p>OPTIONAL SHELL MATERIAL (For receptacle type 004 and 006 only)</p> <p>Blank Zinc Diecast, epoxy coat 1 Stainless Steel, Type 303 2 Non-Metallic Nylon 6/6 (2P - 6P, A-size only)</p>			

Specifications



MECHANICAL

SHELL: ZINC DIECAST W/ BLACK EPOXY COAT, OPTIONAL STAINLESS STEEL TYPE 303

INSERT: PVC - UL STD 94 - V0
 CONDUCTORS: #16 AWG PVC INSULATION OVER 26 X #30 COPPER STRANDING, 600V, UL STYLE 1015 CSA TEW

ELECTRICAL

VOLTAGE RATING: 600 V AC/DC
 AMPERAGE: 6P - 8A
 7P - 8A
 8P - 7A

ENVIRONMENTAL

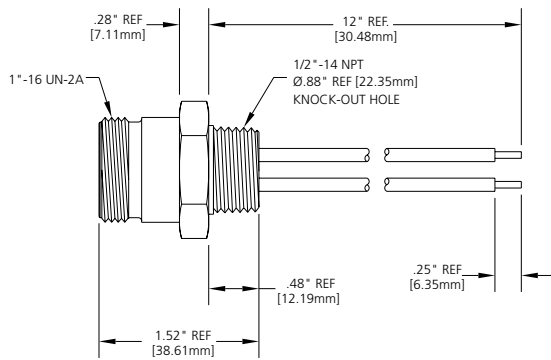
PROTECTION: IP 68, NEMA 6P
 AMBIENT OPERATING TEMP: -4° to 221° F (-20° to 105° C)

CERTIFICATIONS

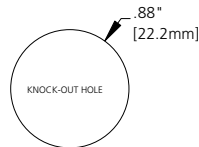
UL: UL RECOGNIZED, FILE NO. E46237
 CSA: CSA CERTIFIED, FILE NO. LR6837

RECEPTACLE DIMENSIONS

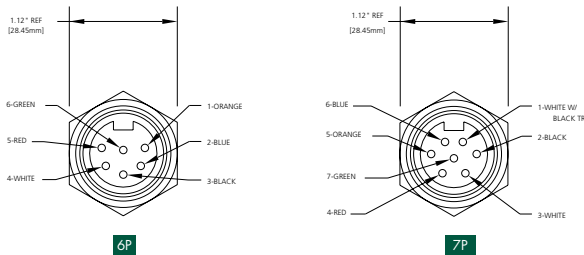
FEMALE STRAIGHT WITH 1/2" - 14NPT



TYPICAL KNOCKOUT

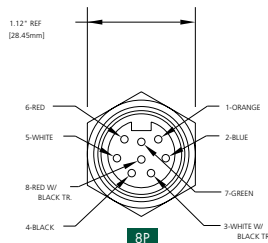


FEMALE FACE VIEW



6P

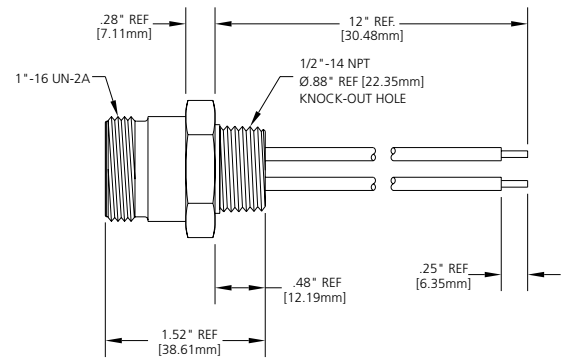
7P



8P

FIG 1

MALE STRAIGHT WITH 1/2" - 14NPT



TYPICAL KNOCKOUT

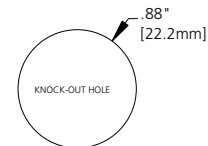


FIG 2



Receptacles

#16 AWG PVC 12-inch leads - U.S. color code, epoxy potted
 Black epoxy coat zinc diecast shell design
 Use in control panels, junction boxes and sensors

	9P	10P	12P
MALE FACE VIEW			
COLOR CODE	1- orange 2- blue 3- red-black trace 4- green-black trace 5- white 6- red 7- green-gnd 8- white-black trace 9- black	1- orange 2- blue 3- white-black trace 4- red 5- green-black trace 6- orange-black trace 7- red 8- green-gnd 9- black 10- white	1- orange 2- blue 3- white-black trace 4- red-black trace 5- green-black trace 6- orange-black trace 7- blue-black trace 8- black-white trace 9- green-gnd 10- red 11- white 12- black
VOLTAGE	600V AC/DC	600V AC/DC	600V AC/DC
CURRENT	7A	7A	5A
CONDUCTOR	#16-9	#16-10	#16-12

MALE	FIG	RECEPTACLES WITH #16 AWG PVC LEADS 12 INCHES LONG		
STRAIGHT WITH 1/2" -14NPT	2	3R9006A20A120	3R1006A20A120	3R2006A20A120
FEMALE	FIG	RECEPTACLES WITH #16 AWG PVC LEADS 12 INCHES LONG		
STRAIGHT WITH 1/2" -14NPT	1	3R9004A20A120	3R1004A20A120	3R2004A20A120

PART NO.	ACCESSORIES
5601	Locknut 1/2" -14NPT, zinc plated steel
5611	Gasket, black neoprene

CATALOG OPTIONS

Use the following chart to modify your part's specifications

3R9004A20A1201

LEAD LENGTH

3'	F030
6'	F060

COUPLING NUT

STAINLESS STEEL SHELL .ADD 1