

PLEASE CHECK WWW.MOLEX.COM FOR LATEST PART INFORMATION

Part Number: [130014-0025](#)
Status: **Active**
Overview: Brad® Mini-Change® Connectors
Description: Mini-Change® B-Size Receptacle with Leads 1/2" - 14NPT Threads, Straight Male 6 Poles, Length 0.305m

Documents:

[Drawing \(PDF\)](#) [RoHS Certificate of Compliance \(PDF\)](#)

Agency Certification

CSA LR6837
 UL E152210

General

Product Family Industrial Receptacles
 Series [130014](#)
 Comments B-Size (1" - 16 UN-2A)
 IP Rating IP67
 NEMA Rating NEMA 6
 Overview [Brad® Mini-Change® Connectors](#)
 Product Name Mini-Change®
 Type Single Ended (pigtail)
 UPC 78678838811

Physical

Coupling Type External Thread
 Gender Male
 Keyway Single
 Length 0.305m
 Material - Component Zinc Die-Cast with Black Epoxy
 Mounting Thread Size 1/2" - 14 NPT
 Net Weight 96.500/g
 Orientation Straight
 Panel Mount N/A
 Poles 6
 Temperature Range - Operating -20°C to +105°C
 Wire Size AWG 16
 Wire/Cable Type N/A

Electrical

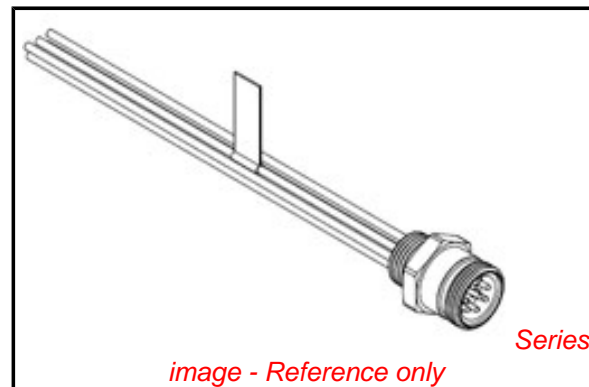
Current - Maximum per Contact 8A
 Voltage - Maximum 600V AC/DC

Material Info

Old Part Number 2R6006A20A120

Reference - Drawing Numbers

Sales Drawing SD-130014-001



EU RoHS

**ELV and RoHS
 Compliant**
**REACH SVHC
 Not Reviewed**
**Low-Halogen Status
 Not Reviewed**

China RoHS



**Need more information on product
 environmental compliance?**

Email productcompliance@molex.com
 For a multiple part number RoHS Certificate of
 Compliance, [click here](#)

Please visit the [Contact Us](#) section for any
 non-product compliance questions.

Search Parts in this Series

130014Series