

**PLEASE CHECK WWW.MOLEX.COM FOR LATEST PART INFORMATION**

**Part Number:** [130013-1011](#)  
**Status:** **Active**  
**Overview:** Brad® Mini-Change® Connectors  
**Description:** Mini-Change® A-Size Receptacle with Leads 1/2" - 14NPT Threads, Straight Female, 6 Poles, Length 4.0m

**Documents:**

[Drawing \(PDF\)](#) [RoHS Certificate of Compliance \(PDF\)](#)

**Agency Certification**

UL E152210

**General**

Product Family	Industrial Receptacles
Series	<a href="#">130013</a>
IP Rating	IP67
NEMA Rating	NEMA 6
Overview	<a href="#">Brad® Mini-Change® Connectors</a>
Product Name	Mini-Change®
Type	Single Ended (pigtail)
UPC	78172506670

**Physical**

Coupling Type	External Thread
Gender	Female
Keyway	Single
Length	4.0m
Material - Component	Zinc Die-Cast with Black Epoxy
Mounting Thread Size	1/2" - 14 NPT
Orientation	Straight
Panel Mount	N/A
Poles	6
Temperature Range - Operating	-20°C to +105°C
Wire Size AWG	16
Wire/Cable Type	N/A

**Electrical**

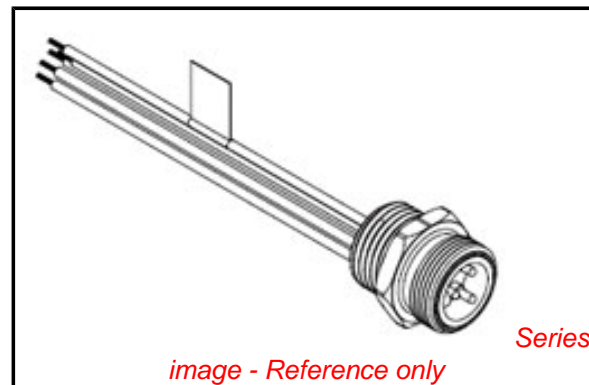
Current - Maximum per Contact	8A
Voltage - Maximum	600V AC/DC

**Material Info**

Old Part Number	1R6004A20M040
-----------------	---------------

**Reference - Drawing Numbers**

Sales Drawing	SD-130013-002
---------------	---------------



**EU RoHS**

**RoHS Compliant by Exemption**  
**REACH SVHC Not Reviewed**  
**Low-Halogen Status Not Reviewed**

**China RoHS**



**Need more information on product environmental compliance?**

Email [productcompliance@molex.com](mailto:productcompliance@molex.com)  
 For a multiple part number RoHS Certificate of Compliance, [click here](#)

Please visit the [Contact Us](#) section for any non-product compliance questions.

**Search Parts in this Series**

[130013Series](#)