

**PLEASE CHECK WWW.MOLEX.COM FOR LATEST PART INFORMATION**

**Part Number:** [130013-0488](#)  
**Status:** **Active**  
**Overview:** Brad® Mini-Change® Connectors  
**Description:** Mini-Change® A-Size Receptacle with Leads 1/2" - 14NPT Threads, Straight Male, 5 Poles, Length 0.20m

**Documents:**

[Drawing \(PDF\)](#) [RoHS Certificate of Compliance \(PDF\)](#)

**Agency Certification**

CSA LR6837  
 UL E152210

**General**

Product Family Industrial Receptacles  
 Series [130013](#)  
 IP Rating IP67  
 NEMA Rating NEMA 6  
 Overview [Brad® Mini-Change® Connectors](#)  
 Product Name Mini-Change®  
 Type Single Ended (pigtail)  
 UPC 78678838508

**Physical**

Coupling Type External Thread  
 Gender Male  
 Keyway Single  
 Length 0.20m  
 Material - Component Zinc Die-Cast with Black Epoxy  
 Mounting Thread Size 1/2" - 14 NPT  
 Net Weight 9.520/g  
 Orientation Straight  
 Panel Mount N/A  
 Poles 5  
 Temperature Range - Operating -20°C to +80°C  
 Wire Size AWG 18  
 Wire/Cable Type N/A

**Electrical**

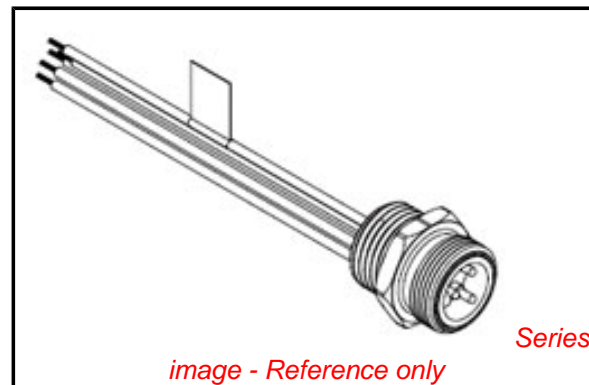
Current - Maximum per Contact 5.6A  
 Voltage - Maximum 300V AC/DC

**Material Info**

Old Part Number 1R5006A17A060

**Reference - Drawing Numbers**

Sales Drawing SD-130013-004



**EU RoHS**

**ELV and RoHS  
 Compliant**  
**REACH SVHC  
 Not Reviewed**  
**Low-Halogen Status  
 Not Reviewed**

**China RoHS**



**Need more information on product  
 environmental compliance?**

Email [productcompliance@molex.com](mailto:productcompliance@molex.com)  
 For a multiple part number RoHS Certificate of  
 Compliance, [click here](#)

Please visit the [Contact Us](#) section for any  
 non-product compliance questions.

**Search Parts in this Series**

130013Series