

PLEASE CHECK WWW.MOLEX.COM FOR LATEST PART INFORMATION

Part Number: [1300130404](#)
Status: **Active**
Overview: Brad Mini-Change Connectors
Description: Mini-Change Receptacle, 4 Poles, Flange Mount, Female (Straight) to 16 AWG Leads, 0.91m (3.0') Length

Documents:

[Drawing \(PDF\)](#) [RoHS Certificate of Compliance \(PDF\)](#)

Agency Certification

CSA LR6837
 UL E152210

General

Product Family Industrial Receptacles
 Series [130013](#)
 IP Rating IP67
 NEMA Rating NEMA 6
 Overview [Brad Mini-Change Connectors](#)
 Product Name Mini-Change
 Type Single Ended (pigtail)
 UPC 78678843502

Physical

Coupling Type External Thread
 Gender Female
 Keyway Single
 Length 0.91m
 Material - Component PVC
 Mounting Thread Size N/A
 Net Weight 120.000/g
 Orientation Straight
 Panel Mount With Flange
 Poles 4
 Temperature Range - Operating -20°C to +105°C
 Wire Size AWG 16
 Wire/Cable Type UL 1015

Electrical

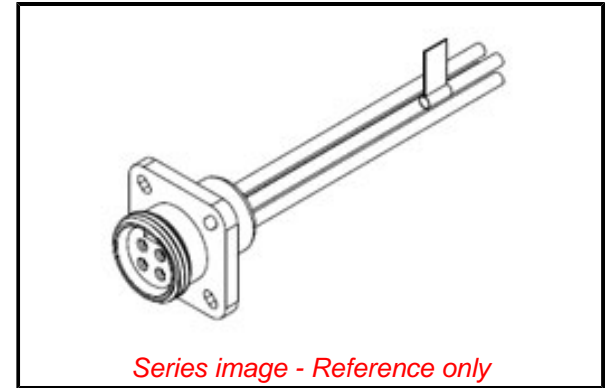
Current - Maximum per Contact 10.0A
 Voltage - Maximum 600V

Material Info

Engineering Number 1R4G04A20F030

Reference - Drawing Numbers

Sales Drawing SD-130013-008



Series image - Reference only

EU ELV

Not Relevant

EU RoHS

Compliant

REACH SVHC

Not Contained Per -
 D(2020)4578-DC (25
 June 2020)

Halogen-Free

Status

Not Low-Halogen

For more information, please visit [Contact US](#)

China ROHS

ELV

RoHS Phthalates

China RoHS

Green Image

Not Relevant

Not Contained

Search Parts in this Series

[130013 Series](#)