

**PLEASE CHECK WWW.MOLEX.COM FOR LATEST PART INFORMATION**

**Part Number:** [130013-0202](#)  
**Status:** **Active**  
**Overview:** Brad® Mini-Change® Products  
**Description:** Mini-Change® A-Size Receptacle with Leads, 1/2" - 14NPT Threads, Straight Male, 3 Poles, Length 0.305m

**Documents:**

[Drawing \(PDF\)](#) [RoHS Certificate of Compliance \(PDF\)](#)

**Agency Certification**

CSA LR6837  
 UL E258922

**General**

Product Family Industrial Receptacles  
 Series [130013](#)  
 IP Rating IP67  
 NEMA Rating NEMA 6  
 Overview [Brad® Mini-Change® Products](#)  
 Product Name Mini-Change®  
 Type Single Ended (pigtail)  
 UPC 78678841836

**Physical**

Coupling Type External Thread  
 Gender Male  
 Keyway Single  
 Length 0.305m  
 Material - Component Zinc Die-Cast with Black Epoxy  
 Mounting Thread Size 1/2" - 14 NPT  
 Orientation Straight  
 Panel Mount N/A  
 Poles 3  
 Temperature Range - Operating -20°C to +105°C  
 Wire Size AWG 16  
 Wire/Cable Type UL 1015

**Electrical**

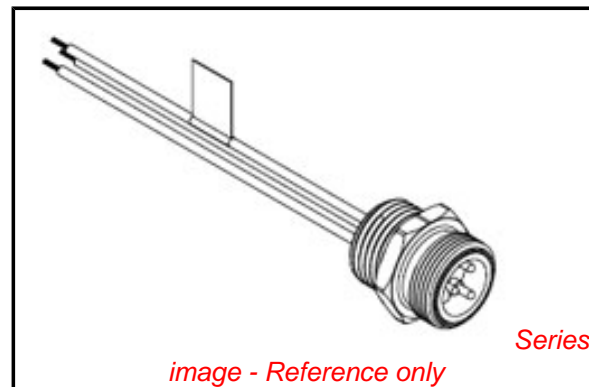
Current - Maximum per Contact 13A  
 Voltage - Maximum 600V AC/DC

**Material Info**

Old Part Number 1R3006A20A120

**Reference - Drawing Numbers**

Sales Drawing SD-130013-003, SD-130013-076



*image - Reference only*

**EU RoHS**

**Not RoHS Compliant**  
**REACH SVHC**  
 Not Reviewed  
**Low-Halogen Status**  
 Not Reviewed

**China RoHS**



**Need more information on product environmental compliance?**

Email [productcompliance@molex.com](mailto:productcompliance@molex.com)  
 For a multiple part number RoHS Certificate of Compliance, [click here](#)

Please visit the [Contact Us](#) section for any non-product compliance questions.

**Search Parts in this Series**

130013Series