

**PLEASE CHECK WWW.MOLEX.COM FOR LATEST PART INFORMATION**

**Part Number:** [130003-0051](#)  
**Status:** **Active**  
**Overview:** Brad® Quick-Change® Connectors  
**Description:** Quick-Change® BradPower™, Male, 1/2"-14 NPT, 4 Poles, Receptacle, 12/1 AWG, Length 0.30m

**Documents:**

[Drawing \(PDF\)](#) [RoHS Certificate of Compliance \(PDF\)](#)

**Agency Certification**

CSA LR6837  
 UL E46237

**General**

Product Family Industrial Receptacles  
 Series [130003](#)  
 IP Rating IP67  
 Overview [Brad® Quick-Change® Connectors](#)  
 Product Name Quick-Change®  
 Type Single Ended (pigtail)  
 UPC 78678832680

**Physical**

Coupling Type External Thread  
 Gender Male  
 Keyway Single  
 Length 0.305m  
 Material - Component Gray Anodized Aluminum  
 Mounting Thread Size 1/2" - 14 NPT  
 Orientation Straight  
 Panel Mount Back  
 Poles 4  
 Temperature Range - Operating -20°C to +90°C  
 Wire Size AWG N/A  
 Wire/Cable Type UL 1015

**Electrical**

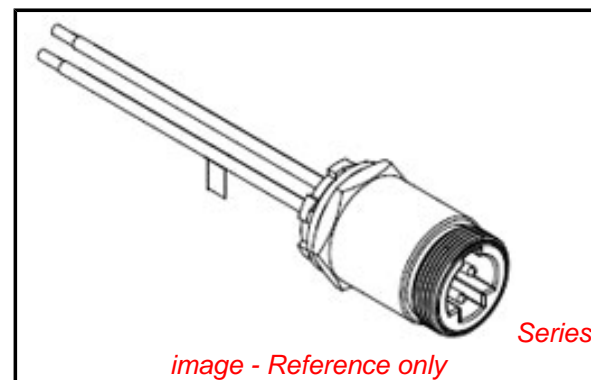
Current - Maximum per Contact 15A  
 Voltage - Maximum 600V AC/DC

**Material Info**

Old Part Number 32680

**Reference - Drawing Numbers**

Sales Drawing SD-130003-004



*image - Reference only*

**EU RoHS**

**ELV and RoHS  
Compliant**

**REACH SVHC  
Not Reviewed**

**Low-Halogen Status  
Not Reviewed**

**China RoHS**



**Need more information on product  
environmental compliance?**

Email [productcompliance@molex.com](mailto:productcompliance@molex.com)  
 For a multiple part number RoHS Certificate of Compliance, [click here](#)

Please visit the [Contact Us](#) section for any non-product compliance questions.

**Search Parts in this Series**

[130003Series](#)