

Plug - in Screw Connector System for Printed Circuit Boards

TYPE 130 -A
5 mm spacing - 2 to 12 poles



Series	Download PDF	3D Model	Can plug with	How to order	Color specifications	Print
--------	--------------	----------	---------------	--------------	----------------------	-------



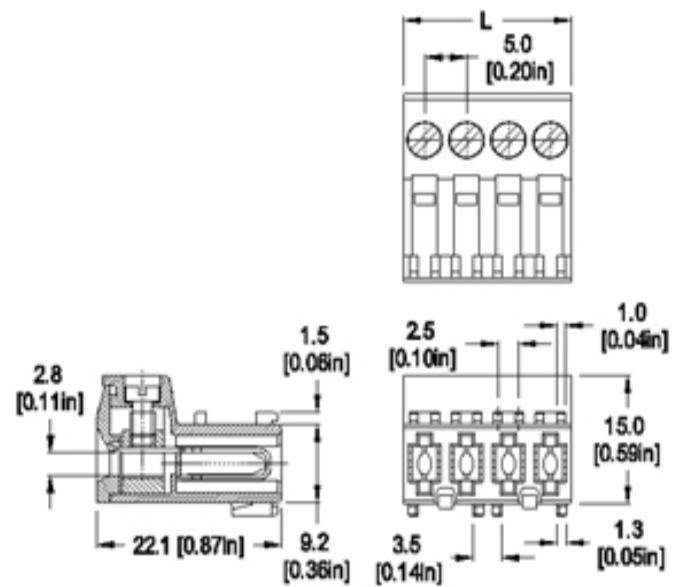
130 -A



One possible variation of assembly



RoHS WEEE Pb free compliant for 130 -A-021/02 and 130 -A-021/03 only



When locating connector, allow 0.5 mm clearance around it for process -induced variations.

Description

Download the PDF above to have RAST -5 Standard detailed information.

- Plug
- standard version
- Plug - In Direction and Wire Entrance Perpendicular to PCB when plugged with 900 -SUN , 900 -S, 900 -W, GST -900 -SUN , GST -900 -SH, GST -BG, GST -BGS, GST -900 -S, GST -900 -W and GST -BGS
- For mating with a header

Technical Data

Center to Center Spacing: 5 mm (0.197 in.)
Nominal Cross Section: 2.5 mm² (3874 mils²)
Wire Stripping Length: 7 mm (0.28 in.)

Illustration

CODING: RAST -5 Standard

Top of page

How to order

- Item** 130 -A
- Options**
- ☞ CN Consecutive Numbering (hot stamped numbers)
 - ☞ SM Special Marking (please provide sketch)
 - ☞ BS Copper Alloy Screw
 - ☞ PS Clear Chromate Passivated zinc plated Steel Screws
 - ☞ G05 Gold Plating (5 micro inches)
 - ☞ G30 Gold Plating (30 micro inches)
 - ☞ S30 Silver Plating (30 micro inches)
 - ☞ WG Wire Guide

Note: Plated component: contact spring

Ordering Note: See download PDF for complete RAST -5 Standard specifications

Request sample

Request quote

Quantity

Accessories
 BST Self Adhesive Marking Strips. _____
 Consecutively numbered. _____
 Jumper, Type 970 -J1.

Add to shopping cart

CODING (RAST -5 STANDARD):
see table above

POLES:
02 to 12

130 -A-