

# 125KEPS10BBSW ✓ ACTIVE

Corcom KEP

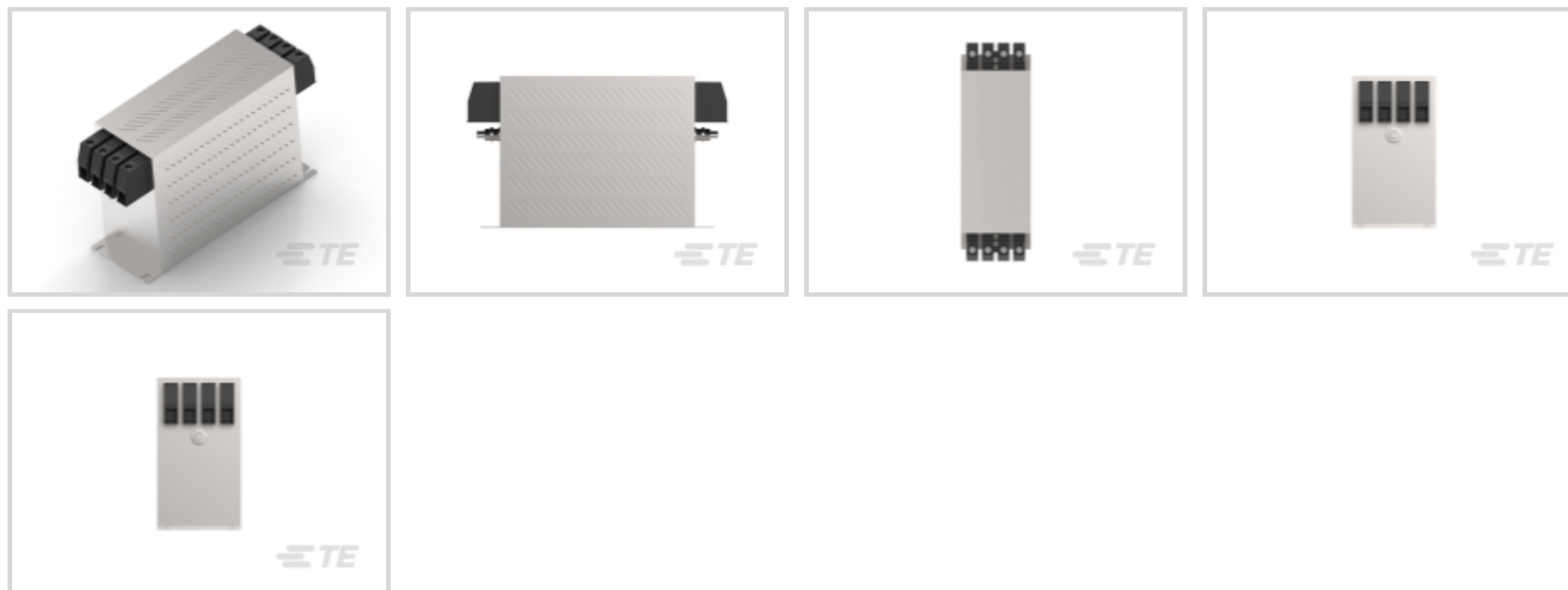
TE Internal #: 6-1609968-6

3-Phase Filters, 125A Current Rating, Terminal Block Input, Terminal Block Output, WYE (4 wire + ground), Operating Voltage 520 VAC, Corcom KEP

[View on TE.com >](#)



EMI & EMC Solutions > EMI Filters > Power Line Filters > 3-Phase Filters



Current Rating: **125 A**

Input Termination Type: **Terminal Block**

Output Termination Type: **Terminal Block**

Wiring Configuration: **WYE (4 wire + ground)**

Operating Voltage: **520 VAC**

## Features

### Product Type Features

|                         |                |
|-------------------------|----------------|
| Filtering Requirements  | Filtered       |
| Input Termination Type  | Terminal Block |
| Output Termination Type | Terminal Block |

### Configuration Features

|                      |                       |
|----------------------|-----------------------|
| Wiring Configuration | WYE (4 wire + ground) |
|----------------------|-----------------------|

### Electrical Characteristics

|                                      |         |
|--------------------------------------|---------|
| Leakage Current (Max) (230VAC, 50Hz) | 11      |
| Current Rating                       | 125 A   |
| Operating Voltage                    | 520 VAC |

### Mechanical Attachment

|                    |         |
|--------------------|---------|
| Product Mount Type | Chassis |
|--------------------|---------|

### Usage Conditions

|                             |             |
|-----------------------------|-------------|
| Operating Temperature Range | -25 – 85 °C |
|-----------------------------|-------------|



## Product Compliance

[For compliance documentation, visit the product page on TE.com>](#)

|   |   |
|---|---|
| EU RoHS Directive 2011/65/EU                  | Compliant with Exemptions   |
| EU ELV Directive 2000/53/EC                   | Not Compliant   |
| China RoHS 2 Directive MIIT Order No 32, 2016 | Restricted Materials Above Threshold  |
| EU REACH Regulation (EC) No. 1907/2006        | <p>Current ECHA Candidate List: JUNE 2024 (241)</p> <p>Candidate List Declared Against: JAN 2024 (240)</p> <p>SVHC &gt; Threshold:<br/>Pb (3% in Component Part)</p> <p><b>Article Safe Usage Statements:</b><br/>Do not eat, drink or smoke when using this product. Wash thoroughly after handling. Recycle if possible and dispose of the article by following all applicable governmental regulations relevant to your geographic location.</p> |
| Halogen Content                               | Not Low Halogen - contains Br or Cl > 900 ppm.  |
| Solder Process Capability                     | Not reviewed for solder process capability  |

### Product Compliance Disclaimer

This information is provided based on reasonable inquiry of our suppliers and represents our current actual knowledge based on the information they provided. This information is subject to change. The part numbers that TE has identified as EU RoHS compliant have a maximum concentration of 0.1% by weight in homogenous materials for lead, hexavalent chromium, mercury, PBB, PBDE, DBP, BBP, DEHP, DIBP, and 0.01% for cadmium, or qualify for an exemption to these limits as defined in the Annexes of Directive 2011/65/EU (RoHS2). Finished electrical and electronic equipment products will be CE marked as required by Directive 2011/65/EU. Components may not be CE marked. Additionally, the part numbers that TE has identified as EU ELV compliant have a maximum concentration of 0.1% by weight in homogenous materials for lead, hexavalent chromium, and mercury, and 0.01% for cadmium, or qualify for an exemption to these limits as defined in the Annexes of Directive 2000/53/EC (ELV). Regarding the REACH Regulation, the information TE provides on SVHC in articles for this part number is based on the latest European Chemicals Agency (ECHA) 'Guidance on requirements for substances in articles' posted at this URL: <https://echa.europa.eu/guidance-documents/guidance-on-reach>

## Compatible Parts



Also in the Series | [Corcom KEP](#)



3-Phase Filters(48)

## Customers Also Bought



TE Part #DT04-2P  
REC, 2P, GRY, N



TE Part #DT06-2S  
PLG, 2P, GRY, N



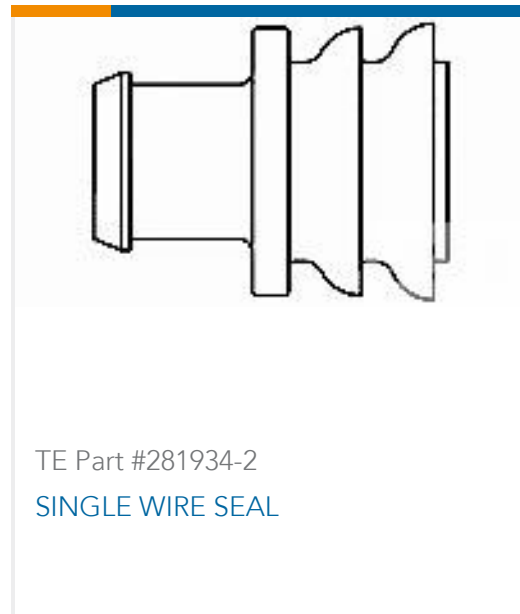
TE Part #W2S  
Wedgelocks: DEUTSCH DT



TE Part #0460-202-16141  
DEUTSCH Solid Contacts



TE Part #282104-1  
AMP SUPERSEAL 1.5MM,  
CONNECTOR HOUSING



TE Part #281934-2  
SINGLE WIRE SEAL



TE Part #114017-ZZ  
SEALING PLUG, SIZE 12/16, WHT

## Documents

### Product Drawings

KEP 125A 1S HIGH PLUS SP BS WYE 520VAC

English

### CAD Files

Customer View Model

[ENG\\_CVM\\_CVM\\_6-1609968-6\\_B.2d\\_dxf.zip](#)

English

Customer View Model

[ENG\\_CVM\\_CVM\\_6-1609968-6\\_B.3d\\_stp.zip](#)

English

Customer View Model

[ENG\\_CVM\\_CVM\\_6-1609968-6\\_B.3d\\_igs.zip](#)

English

### 3D PDF

3D

By downloading the CAD file I accept and agree to the [Terms and Conditions](#) of use.

125KEPS10BBSW

3-Phase Filters, 125A Current Rating, Terminal Block Input, Terminal Block Output,  
WYE (4 wire + ground), Operating Voltage 520 VAC, Corcom KEP



---

[Datasheets & Catalog Pages](#)

[KEP-BS SERIES](#)

English