



RAST 5

TE Internal #: 1241964-3

TE Internal Description: 3POS STD TIMER HOUSING W.INTERIOR LOCK

[View on TE.com >](#)

Product Compliance

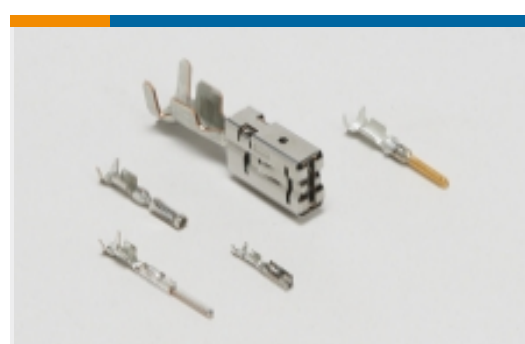
[For compliance documentation, visit the product page on TE.com>](#)

EU RoHS Directive 2011/65/EU	Compliant
EU ELV Directive 2000/53/EC	Compliant
China RoHS 2 Directive MIIT Order No 32, 2016	No Restricted Materials Above Threshold
EU REACH Regulation (EC) No. 1907/2006	Current ECHA Candidate List: JUNE 2023 (235) Candidate List Declared Against: JUNE 2023 (235) Does not contain REACH SVHC
Halogen Content	Not Low Halogen - contains Br or Cl > 900 ppm.
Solder Process Capability	Not reviewed for solder process capability

Product Compliance Disclaimer

This information is provided based on reasonable inquiry of our suppliers and represents our current actual knowledge based on the information they provided. This information is subject to change. The part numbers that TE has identified as EU RoHS compliant have a maximum concentration of 0.1% by weight in homogenous materials for lead, hexavalent chromium, mercury, PBB, PBDE, DBP, BBP, DEHP, DIBP, and 0.01% for cadmium, or qualify for an exemption to these limits as defined in the Annexes of Directive 2011/65/EU (RoHS2). Finished electrical and electronic equipment products will be CE marked as required by Directive 2011/65/EU. Components may not be CE marked. Additionally, the part numbers that TE has identified as EU ELV compliant have a maximum concentration of 0.1% by weight in homogenous materials for lead, hexavalent chromium, and mercury, and 0.01% for cadmium, or qualify for an exemption to these limits as defined in the Annexes of Directive 2000/53/EC (ELV). Regarding the REACH Regulation, the information TE provides on SVHC in articles for this part number is based on the latest European Chemicals Agency (ECHA) 'Guidance on requirements for substances in articles' posted at this URL: <https://echa.europa.eu/guidance-documents/guidance-on-reach>

Also in the Series | RAST 5



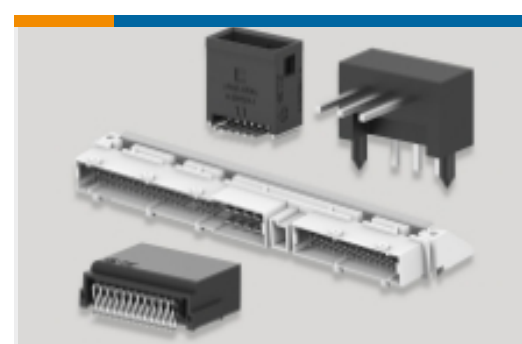
Automotive Terminals(1)



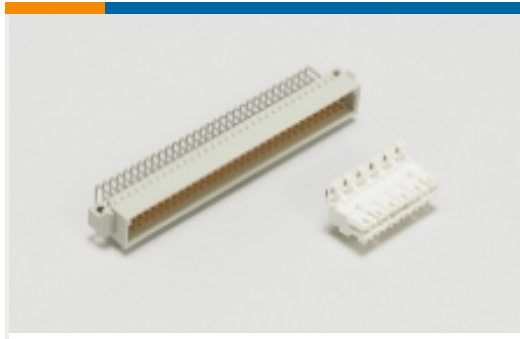
Connector Contacts(1)



Connector Hardware(3)



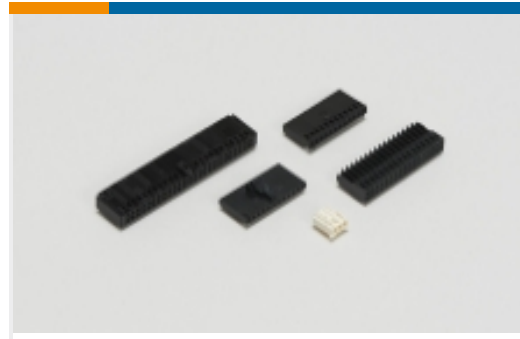
PCB Headers & Receptacles(133)



Standard Edge Connectors(8)



Standard Rectangular Connectors(4)



Wire-to-Board Connector Assemblies & Housings(19)

Customers Also Bought



TE Part #6609066-2
6AYO1=F7692 S0



TE Part #1-1609966-1
KES 3A 1S SPADE WYE 440VAC



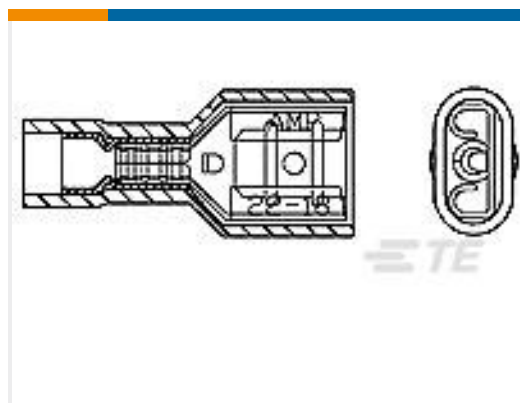
TE Part #215083-6
MICRO-MATCH MOW.06P



TE Part #927833-1
SPT REC 6.3 Contact SRC Sn



TE Part #1768045-1
STD Snap-On Markers



TE Part #735279
REC FASTON SERIES 635 PIDG



TE Part #928343-5
5P STD-TIMER GEH