

DRH276730LT**Weidmüller Interface GmbH & Co. KG**

Klingenbergstraße 26

D-32758 Detmold

Germany

www.weidmueller.com

Product image

Similar to illustration

DRH DC relays (with blow-out magnet)

- 2 NO contacts
- Optional AC or DC coils
- With test button and Integrated status LED

General ordering data

| | |
|------------|--|
| Version | D-SERIES DRW / DRH, Relay, Number of contacts: 2, NO contact with blow-out magnet AgSnO, Rated control voltage: 230 V AC, Continuous current: 16 A, Flat blade connections (4.8 mm x 0.5 mm), Test button available: Yes |
| Order No. | 1220230000 |
| Type | DRH276730LT |
| GTIN (EAN) | 4032248998685 |
| Qty. | 10 pc(s). |

Creation date January 23, 2023 10:02:13 AM CET

Catalogue status 09.01.2023 / We reserve the right to make technical changes.

DRH276730LT

Weidmüller Interface GmbH & Co. KG

Klingenbergstraße 26

D-32758 Detmold

Germany

www.weidmueller.com

Technical data

Dimensions and weights

| | | | |
|------------|--------|-----------------|------------|
| Depth | 48 mm | Depth (inches) | 1.89 inch |
| Height | 36 mm | Height (inches) | 1.417 inch |
| Width | 36 mm | Width (inches) | 1.417 inch |
| Net weight | 85.4 g | | |

Temperatures

| | | | |
|-----------------------------|--------------------------------------|-----------------------------|----------------|
| Storage temperature | -40 °C...60 °C | Operating temperature | -40 °C...60 °C |
| Operating temperature, min. | -40 °C | Operating temperature, max. | 60 °C |
| Humidity | 35 % to 85 % relative humidity level | | |

Rated data UL

| | |
|-------------------------|---------|
| Certificate No. (cURus) | E312083 |
|-------------------------|---------|

Control side

| | | | |
|-----------------------|--------------------------|--------------------------------|-----------------|
| Rated control voltage | 230 V AC | Rated current AC | 10,6 mA |
| Power rating | 2.5 VA | Pull-in/drop-out voltage, typ. | 184 V / 69 V AC |
| Coil resistance | 8000 Ω \pm 10 % | Coil tolerance | 10 % |
| Status indicator | red LED | | |

Load side

| | | | |
|---|---------------------------------------|---|---|
| Rated switching voltage | 250 V AC | Continuous current | 16 A |
| Max. switching frequency at rated load | 0.1 Hz | Max. switching voltage, DC | 300 V |
| Inrush current | 80 A / 50 ms | AC switching capacity (resistive), max. | 4000 VA |
| DC switching capacity (resistive), max. | 660 W @ 220 V | Switch-on delay | < 20 ms |
| Switch-off delay | < 20 ms | Contact type | 2 NO contact with blow-out magnet (AgSnO) |
| Mechanical service life | 10 x 10 ⁶ switching cycles | Min. switching power | 100 mA @ 12 V |

General data

| | | |
|--------------------------------------|---|------------------------|
| Test button available | Yes | |
| Version of test button | Lockable test button, Momentary test button | |
| Mechanical switch position indicator | Yes | |
| Colour | Transparent | |
| UL94 flammability rating component | Component | Housing |
| | UL94 flammability rating | V-2 |
| | Component | Relay baseplate |
| | UL94 flammability rating | V-0 |
| | Component | Relay status indicator |
| | UL94 flammability rating | HB |
| Component | Relay test button | |
| | UL94 flammability rating | HB |

DRH276730LT

Weidmüller Interface GmbH & Co. KG

Klingenbergstraße 26

D-32758 Detmold

Germany

www.weidmueller.com

Technical data

Insulation coordination

| | | | |
|--|-----------------------------|---|-----------------------------|
| Insulation coordination according to | EN 61810-1:2008 | Rated voltage | 400 V |
| Pollution severity | 3 | Surge voltage category | III |
| Insulating material group | IIIa | Clearance and creepage distances for control side - load side | ≥ 6,3 mm |
| Dielectric strength for control side - load side | 4 kV _{eff} / 1 min | Dielectric strength of neighbouring contacts | 4 kV _{eff} / 1 min |
| Dielectric strength of open contact | 4 kV _{eff} / 1 min | Protection degree | IP20 |

Further details of approvals / standards

| | | | |
|-----------|--|-------------------------|---------|
| Standards | IEC 61810-1, EN 60664-1:2007, EN 61000-6-2:2005, EN 61000-6-4:2007 + A1:2011, UL 508 | Certificate No. (cURus) | E312083 |
|-----------|--|-------------------------|---------|

Connection data

| | |
|------------------------|--|
| Wire connection method | Flat blade connections (4.8 mm x 0.5 mm) |
|------------------------|--|

Classifications

| | | | |
|-------------|-------------|-------------|-------------|
| ETIM 6.0 | EC001437 | ETIM 7.0 | EC001437 |
| ETIM 8.0 | EC001437 | ECLASS 9.0 | 27-37-16-01 |
| ECLASS 9.1 | 27-37-16-01 | ECLASS 10.0 | 27-37-16-01 |
| ECLASS 11.0 | 27-37-16-01 | ECLASS 12.0 | 27-37-16-01 |

Environmental Product Compliance

| | |
|------------|----------------|
| REACH SVHC | Lead 7439-92-1 |
|------------|----------------|

Approvals

Approvals



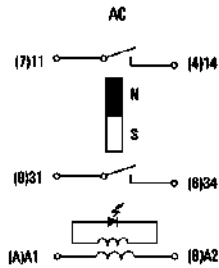
| | |
|-------------------------|------------|
| ROHS | Conform |
| UL File Number Search | UL Website |
| Certificate No. (cURus) | E312083 |

Downloads

| | |
|---|---|
| Approval/Certificate/Document of Conformity | EU Konformitätserklärung / EU Declaration of Conformity |
| Engineering Data | CAD data – STEP |
| Engineering Data | WSCAD |
| Catalogues | Catalogues in PDF-format |
| Brochures | |

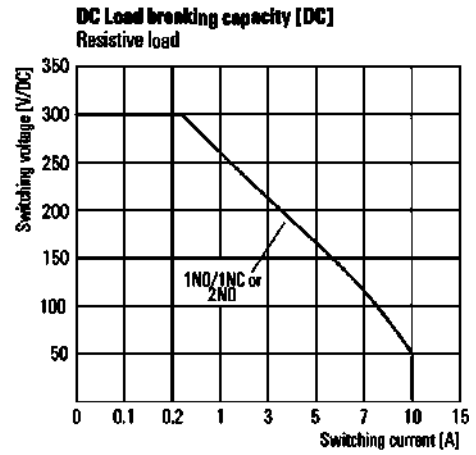
Drawings

Wiring diagram



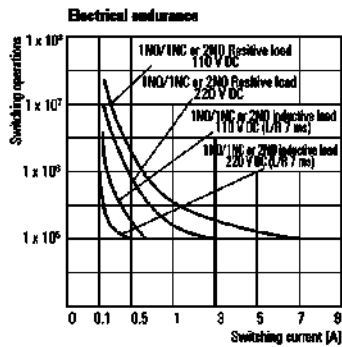
View of Pins from below

Graph



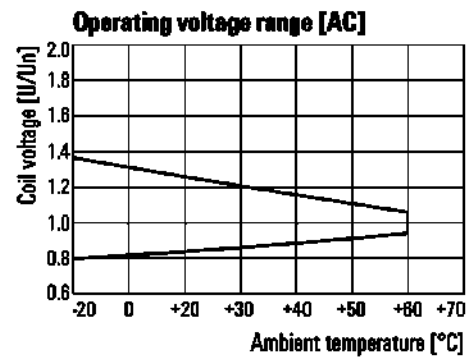
DC load limit curve Resistive load

Graph



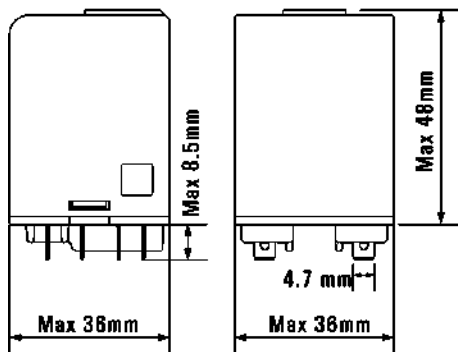
Electrical service life

Graph



AC operational voltage range

Dimensional drawing



Data sheet

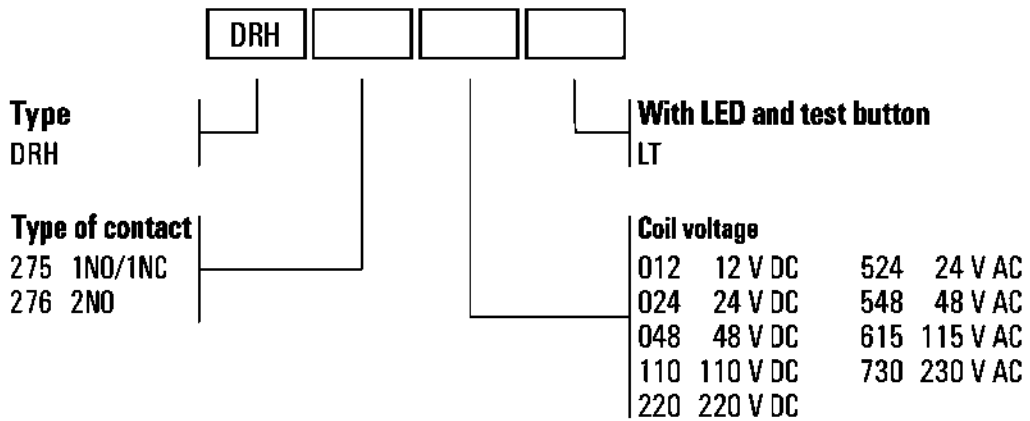
DRH276730LT

Weidmüller Interface GmbH & Co. KG
 Klingenbergstraße 26
 D-32758 Detmold
 Germany

www.weidmueller.com

Drawings

Miscellaneous



Type codes