

**DRH174615LT****Weidmüller Interface GmbH & Co. KG**

Klingenbergstraße 26

D-32758 Detmold

Germany

www.weidmueller.com

**Product image**

Similar to illustration

DRH DC relays (with blow-out magnet)

- 1 NC contact with contact series connection
- Optional AC or DC coils
- With test button and Integrated status LED

**General ordering data**

|            |  |
|------------|--|
| Version    | D-SERIES DRW / DRH, Relay, Number of contacts: 1, NC contact with blow-out magnet AgSnO, Rated control voltage: 115 V AC, Continuous current: 16 A, Flat blade connections (4.8 mm x 0.5 mm), Test button available: Yes |
| Order No.  | <a href="#">1220020000</a>   |
| Type       | DRH174615LT  |
| GTIN (EAN) | 4032248998494  |
| Qty.       | 10 pc(s).  |

Creation date January 23, 2023 9:22:20 AM CET

Catalogue status 09.01.2023 / We reserve the right to make technical changes.

## DRH174615LT

Weidmüller Interface GmbH &amp; Co. KG

Klingenbergstraße 26

D-32758 Detmold

Germany

www.weidmueller.com

## Technical data

## Dimensions and weights

|            |        |                 |            |
|------------|--------|-----------------|------------|
| Depth      | 48 mm  | Depth (inches)  | 1.89 inch  |
| Height     | 36 mm  | Height (inches) | 1.417 inch |
| Width      | 36 mm  | Width (inches)  | 1.417 inch |
| Net weight | 81.8 g |                 |            |

## Temperatures

|                             |                                      |                             |                |
|-----------------------------|--------------------------------------|-----------------------------|----------------|
| Storage temperature         | -40 °C...60 °C                       | Operating temperature       | -40 °C...60 °C |
| Operating temperature, min. | -40 °C                               | Operating temperature, max. | 60 °C          |
| Humidity                    | 35 % to 85 % relative humidity level |                             |                |

## Rated data UL

|                         |         |
|-------------------------|---------|
| Certificate No. (cURus) | E312083 |
|-------------------------|---------|

## Control side

|                       |               |                                |                  |
|-----------------------|---------------|--------------------------------|------------------|
| Rated control voltage | 115 V AC      | Rated current AC               | 21 mA            |
| Power rating          | 2.5 VA        | Pull-in/drop-out voltage, typ. | 92 V / 34.5 V AC |
| Coil resistance       | 2200 Ω ± 10 % | Coil tolerance                 | 10 %             |
| Status indicator      | red LED       |                                |                  |

## Load side

|   |                                       |   |   |
|---|---------------------------------------|---|---|
| Rated switching voltage                 | 500 V AC                              | Continuous current                      | 16 A                                      |
| Max. switching frequency at rated load  | 0.1 Hz                                | Max. switching voltage, DC              | 300 V                                     |
| Inrush current                          | 80 A / 50 ms                          | AC switching capacity (resistive), max. | 8000 VA                                   |
| DC switching capacity (resistive), max. | 2200 W @ 220 V                        | Switch-on delay                         | < 20 ms                                   |
| Switch-off delay                        | < 20 ms                               | Contact type                            | 1 NC contact with blow-out magnet (AgSnO) |
| Mechanical service life                 | 10 x 10 <sup>6</sup> switching cycles | Min. switching power                    | 100 mA @ 12 V                             |

## General data

|                                      |   |                        |
|--------------------------------------|---|------------------------|
| Test button available                | Yes   |                        |
| Version of test button               | Lockable test button, Momentary test button |                        |
| Mechanical switch position indicator | Yes   |                        |
| Colour                               | Transparent                                 |                        |
| UL94 flammability rating component   | Component                                   | Housing                |
|                                      | UL94 flammability rating                    | V-2                    |
|                                      | Component                                   | Relay baseplate        |
|                                      | UL94 flammability rating                    | V-0                    |
|                                      | Component                                   | Relay status indicator |
|                                      | UL94 flammability rating                    | HB                     |
| Component                            | Relay test button                           |                        |
|                                      | UL94 flammability rating                    | HB                     |

## DRH174615LT

Weidmüller Interface GmbH &amp; Co. KG

Klingenbergstraße 26

D-32758 Detmold

Germany

www.weidmueller.com

## Technical data

## Insulation coordination

|  |                             |   |        |
|--|-----------------------------|---|--------|
| Insulation coordination according to             | EN 61810-1:2008             | Rated voltage   | 500 V  |
| Pollution severity                               | 3                           | Surge voltage category  | III    |
| Insulating material group                        | IIIa                        | Clearance and creepage distances for control side - load side | ≥ 8 mm |
| Dielectric strength for control side - load side | 4 kV <sub>eff</sub> / 1 min | Protection degree   | IP20   |

## Further details of approvals / standards

|           |  |                         |         |
|-----------|--|-------------------------|---------|
| Standards | IEC 61810-1, EN 60664-1:2007, EN 61000-6-2:2005, EN 61000-6-4:2007 + A1:2011, UL 508 | Certificate No. (cURus) | E312083 |
|-----------|--|-------------------------|---------|

## Connection data

|                        |  |
|------------------------|--|
| Wire connection method | Flat blade connections (4.8 mm x 0.5 mm) |
|------------------------|--|

## Classifications

|             |             |             |             |
|-------------|-------------|-------------|-------------|
| ETIM 6.0    | EC001437    | ETIM 7.0    | EC001437    |
| ETIM 8.0    | EC001437    | ECLASS 9.0  | 27-37-16-01 |
| ECLASS 9.1  | 27-37-16-01 | ECLASS 10.0 | 27-37-16-01 |
| ECLASS 11.0 | 27-37-16-01 | ECLASS 12.0 | 27-37-16-01 |

## Environmental Product Compliance

|            |                |
|------------|----------------|
| REACH SVHC | Lead 7439-92-1 |
|------------|----------------|

## Approvals

Approvals



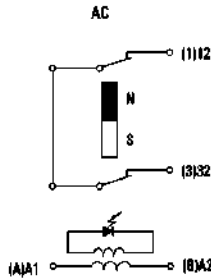
|                         |            |
|-------------------------|------------|
| ROHS                    | Conform    |
| UL File Number Search   | UL Website |
| Certificate No. (cURus) | E312083    |

## Downloads

|   |   |
|---|---|
| Approval/Certificate/Document of Conformity | <a href="#">EU Konformitätserklärung / EU Declaration of Conformity</a> |
| Engineering Data                            | <a href="#">CAD data – STEP</a>   |
| Engineering Data                            | <a href="#">WSCAD</a>   |
| Catalogues                                  | <a href="#">Catalogues in PDF-format</a>                                |
| Brochures                                   |   |

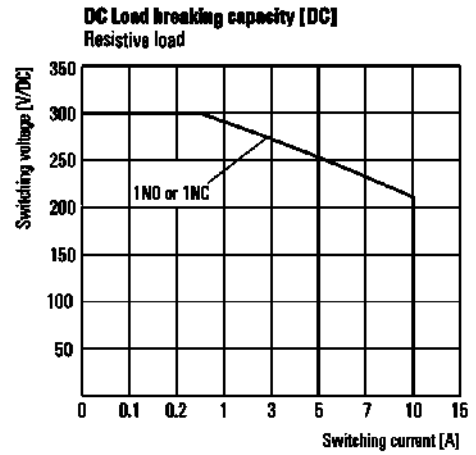
Drawings

Wiring diagram



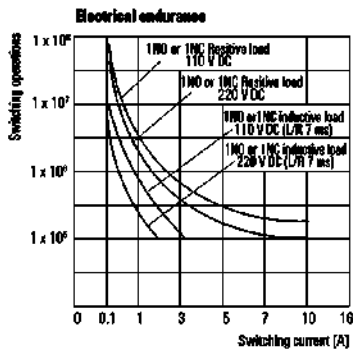
View of Pins from below

Graph



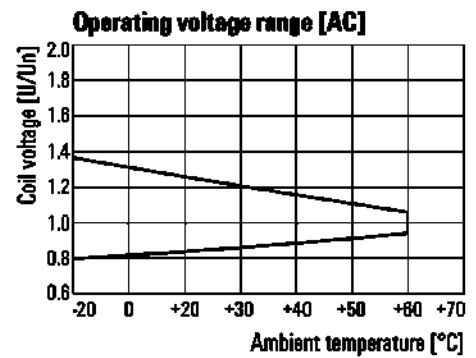
DC load limit curve Resistive load

Graph



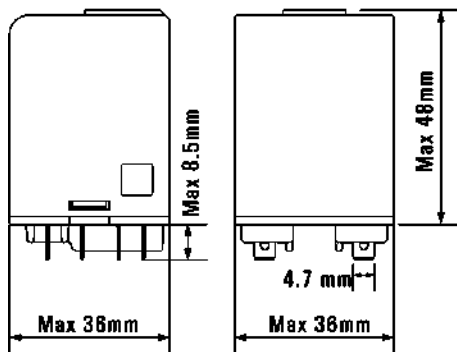
Electrical service life

Graph



AC operational voltage range

Dimensional drawing



**Data sheet**

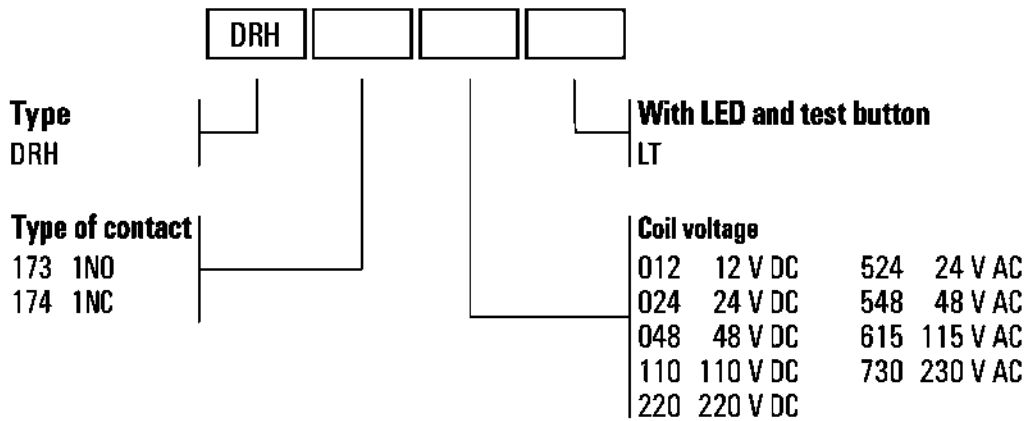
**DRH174615LT**

**Weidmüller Interface GmbH & Co. KG**  
 Klingenbergstraße 26  
 D-32758 Detmold  
 Germany

www.weidmueller.com

**Drawings**

**Miscellaneous**



Type codes