



RAYCHEM | RAYCHEM TXR

TE Internal #: 121837-000

Ruggedized, Backshell, .01 – .25 in [.2 – 6.4 mm] Cable Entry, Aluminum, Right Angle, Shell Size A / 09, RAYCHEM TXR

[View on TE.com >](#)

Connectors > Connector Accessories > Connector Backshells



Connector Backshell Product Style: **Ruggedized**

Connector Backshell Product Type: **Backshell**

Cable Entry Diameter: **.2 – 6.4 mm [.01 – .25 in]**

Primary Product Material: **Aluminum**

Body Orientation: **Right Angle**

## Features

### Product Type Features

Termination Device Included	TR04AI
Connector Backshell Product Style	Ruggedized
Connector Backshell Product Type	Backshell
Termination Device Type	Side-Entry Tinel-Lock Ring, Tinel-Lock Adapter, Tinel-Lock Ring

### Body Features

Primary Product Color	Bright
Primary Product Material	Aluminum
Primary Product Plating Material	Electroless Nickel (AMS-C-26074)

### Housing Features

Body Orientation	Right Angle
Compatible With Connector Shape	Circular

### Dimensions

Compatible Cable Diameter Range	3.2 – 5.1 mm [.125 – .2 in]
Product Length	21 mm [.826 in]
Cable Entry Diameter	.2 – 6.4 mm [.01 – .25 in]

### Usage Conditions

Salt Spray Resistance	48 Hr
-----------------------	-------



Operating Temperature Range -65 – 200 °C[-85 – 392 °F]

**Operation/Application**

Compatible With Connector Shell Size A, 09

**Industry Standards**

Connector Detail Specification Number D38999/20, D38999/24, D38999/26, D38999/40, D38999/42, D38999/46, D38999/47

**Other**

Connector Interface Specification MIL-DTL-38999 Series III/Class C,F,K,W, MIL-DTL-38999 Series IV/Class C,F,W, MIL-DTL-38999 Series IV/Class C,W, MIL-DTL-38999 Series IV/Class F,W

TE Connector Interface Code 40

**Product Compliance**

[For compliance documentation, visit the product page on TE.com>](#)

EU RoHS Directive 2011/65/EU Compliant

EU ELV Directive 2000/53/EC Not Yet Reviewed

China RoHS 2 Directive MIIT Order No 32, 2016 No Restricted Materials Above Threshold

EU REACH Regulation (EC) No. 1907/2006  
 Current ECHA Candidate List: JUNE 2023 (235)  
 Candidate List Declared Against: JUL 2021 (219)  
 SVHC > Threshold:  
 Pb (.3% in BODY & NUT)  
**Article Safe Usage Statements:**  
 Do not eat, drink or smoke when using this product. Wash thoroughly after handling. Recycle if possible and dispose of the article by following all applicable governmental regulations relevant to your geographic location.

Halogen Content Low Halogen - Br, Cl, F, I < 900 ppm per homogenous material. Also BFR/CFR/PVC Free

Solder Process Capability Not applicable for solder process capability

**Product Compliance Disclaimer**

This information is provided based on reasonable inquiry of our suppliers and represents our current actual knowledge based on the information they provided. This information is subject to change. The part numbers that TE has identified as EU RoHS compliant have a maximum concentration of 0.1% by weight in homogenous materials for lead, hexavalent chromium, mercury, PBB, PBDE, DBP, BBP, DEHP, DIBP, and 0.01% for cadmium, or qualify for an exemption to these limits as defined in the Annexes of Directive 2011/65/EU (RoHS2). Finished electrical and electronic equipment products will be CE marked as required by Directive 2011/65/EU. Components may not be CE marked. Additionally, the part numbers that TE has identified as EU ELV compliant have a maximum concentration of 0.1% by weight in homogenous materials for lead, hexavalent chromium, and mercury, and 0.01% for cadmium, or qualify for an exemption to these limits as defined in the Annexes of Directive 2000/53/EC (ELV). Regarding the REACH Regulation, the information TE provides

on SVHC in articles for this part number is based on the latest European Chemicals Agency (ECHA) 'Guidance on requirements for substances in articles' posted at this URL: <https://echa.europa.eu/guidance-documents/guidance-on-reach>

## Compatible Parts



TE Part # 173643-000  
RH-3960-1-TINEL-KIT-120V

## Also in the Series | RAYCHEM TXR



Connector Backshells(2277)

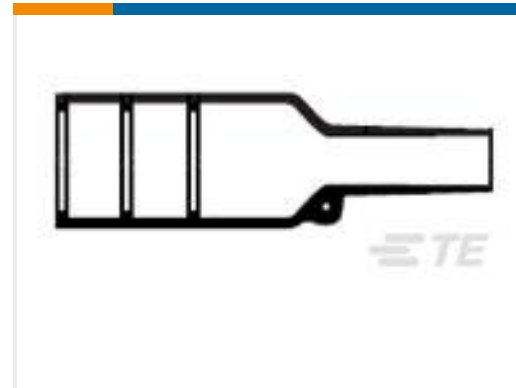
## Customers Also Bought



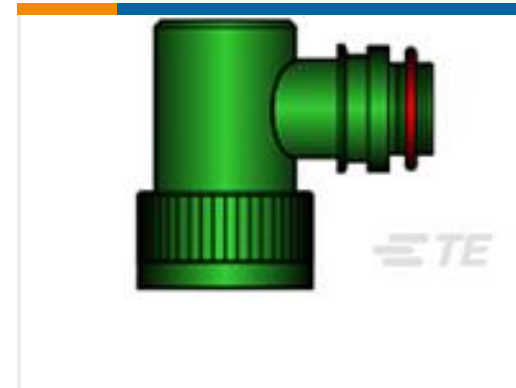
TE Part #627133-000  
202D921-25/225-0



TE Part #878512-000  
Bulbous Heat Shrink Boots: Lipped, Right Angle



TE Part #634051-000  
202K121-25/225-0



TE Part #143619-000  
TXR40AC90-1006AI



TE Part #131802-000  
SO63-1-55-20-90



TE Part #808650-000  
201M110-19C



TE Part #362254-000  
209M410-19C

## Documents

[Product Drawings](#)



## TXR40AC90-0804AI

English

### CAD Files

#### 3D PDF

3D

#### Customer View Model

[ENG\\_CVM\\_CVM\\_121837-000\\_O.2d\\_dxf.zip](#)

English

#### Customer View Model

[ENG\\_CVM\\_CVM\\_121837-000\\_O.3d\\_igs.zip](#)

English

#### Customer View Model

[ENG\\_CVM\\_CVM\\_121837-000\\_O.3d\\_stp.zip](#)

English

By downloading the CAD file I accept and agree to the [Terms and Conditions](#) of use.

### Datasheets & Catalog Pages

#### 5-1654025-5\_sec6\_Adapters

English

#### Circular Backshells

English

### Product Specifications

#### General Information Package for Tinel-Lock Adapters

English

[Braid termination using a Tinel Lock Ring installed using a resistance heater.](#)

French

[Braid termination using a Tinel Lock Ring installed using a resistance heater.](#)

English

#### PERFORMANCE SPECIFICATION Tinel-Lock Rings, Heat Recoverable for Braid Termination

English

#### General Harness Repair Manual

English

#### ASSEMBLY GUIDE for Tinel -Lock Rings, Heat Recoverable for Braid Temination

English

#### Product Specification

English