

ES2000-NO.3-B8-0-80MM ✓ ACTIVE

RAYCHEM | RAYCHEM ES-2000

TE Internal #: 121397P020

Black, 4:1, Dual Wall Tubing, Shrinks To 2.41 mm [.095 in],
Irradiated Modified Polyolefin, 10.85 mm [.427 in] Inner Diameter,
RAYCHEM ES-2000

[View on TE.com >](#)



Heat Shrink Tubing > Dual Wall Tubing



Primary Product Color: **Black**

Wall Type: **Dual Wall**

Expanded Inside Diameter (Min): **10.85 mm [.427 in]**

Recovered Inside Diameter (Max): **2.41 mm [.095 in]**

Shrink Ratio: **4:1**

Features

Product Type Features

Wall Type	Dual Wall
-----------	-----------

Electrical Characteristics

Operating Voltage (Max)	.6 kV
-------------------------	-------

Body Features

Fluid Type	Brake Fluid, Diesel Fuel, Engine Cleaner, Engine Coolant, Gasoline, Lubricating Oil, Transmission Fluid, Water, Windshield Washer Fluid
Primary Product Color	Black
Shrink Ratio	4:1
Primary Product Material	Irradiated Modified Polyolefin
Flexibility	Semi-Rigid

Dimensions

Recovered Wall Thickness (Tolerance)	1.52 mm[.06 in]
Recovered Wall Thickness (Nominal)	1.91 mm[.075 in]
Product Length	80 mm[3.15 in]
Expanded Inside Diameter (Min)	10.85 mm[.427 in]
Recovered Inside Diameter (Max)	2.41 mm[.095 in]



Usage Conditions

Shrink Temperature (Min)	110 °C
Resistance Properties	Immersion Protection, Moisture
Tubing Flammability Type	Flame-Retardant
Operating Temperature Range	-40 – 130 °C
Recovery Temperature	135 °C

Operation/Application

Mechanical Resistance	Abrasion, Fluids, Mechanical Damage, Strain Relief
-----------------------	--

Product Availability

Applicable Region	Global
-------------------	--------

Packaging Features

Packaging Method	Piece
------------------	-------

Other

Meets Low Outgassing Requirements	No
Product Source	China, Czech Republic

Product Compliance

[For compliance documentation, visit the product page on TE.com>](#)

EU RoHS Directive 2011/65/EU	Compliant
EU ELV Directive 2000/53/EC	Compliant
China RoHS 2 Directive MIIT Order No 32, 2016	No Restricted Materials Above Threshold
EU REACH Regulation (EC) No. 1907/2006	Current ECHA Candidate List: JUNE 2024 (241) Candidate List Declared Against: JUNE 2024 (241) Does not contain REACH SVHC
Halogen Content	Not Low Halogen - contains Br or Cl > 900 ppm.
Solder Process Capability	Not applicable for solder process capability

Product Compliance Disclaimer

This information is provided based on reasonable inquiry of our suppliers and represents our current actual knowledge based on the information they provided. This information is subject to change. The part numbers that TE has identified as EU RoHS compliant have a maximum concentration of 0.1% by weight in homogenous materials for lead, hexavalent chromium, mercury, PBB, PBDE, DBP, BBP, DEHP, DIBP, and 0.01% for cadmium, or qualify for an exemption to these limits as defined in the Annexes of Directive 2011/65/EU (RoHS2). Finished electrical and electronic equipment products will be CE marked as required by Directive 2011/65/EU. Components may not be CE marked. Additionally, the part

numbers that TE has identified as EU ELV compliant have a maximum concentration of 0.1% by weight in homogenous materials for lead, hexavalent chromium, and mercury, and 0.01% for cadmium, or qualify for an exemption to these limits as defined in the Annexes of Directive 2000/53/EC (ELV). Regarding the REACH Regulation, the information TE provides on SVHC in articles for this part number is based on the latest European Chemicals Agency (ECHA) 'Guidance on requirements for substances in articles' posted at this URL: <https://echa.europa.eu/guidance-documents/guidance-on-reach>

Compatible Parts



TE Part # EG1114-000
CV1981-ST-230V1600W-EU



TE Part # 2280355-1
220 V MODEL 17



TE Part # 1-2234800-1
RBK-X1, AUTO TRIGGER



TE Part # 1-2234800-3
RBK-X1, W/ AIR COOLING



TE Part # 1-2234800-4
RBK-X1 CE, W/ AIR COOLING



TE Part # 1-2376800-3
RBK-X1C, W/ AIR COOLING



TE Part # 1-2376800-4
RBK-X1C CE, W/ AIR COOLING



TE Part # 2234800-1
RBK-X1 STD



TE Part # 2234800-2
RBK-X1 CE STD



TE Part # 2326489-1
MODEL 105 TUNNEL OVEN, 36"
ENTRY, STAND A



TE Part # 2375310-1
XB17 Belt Heater, 220V



TE Part # 2375310-2
XB17 Belt Heater, 110V



TE Part # 2375320-1
XB19 Belt Heater, STD



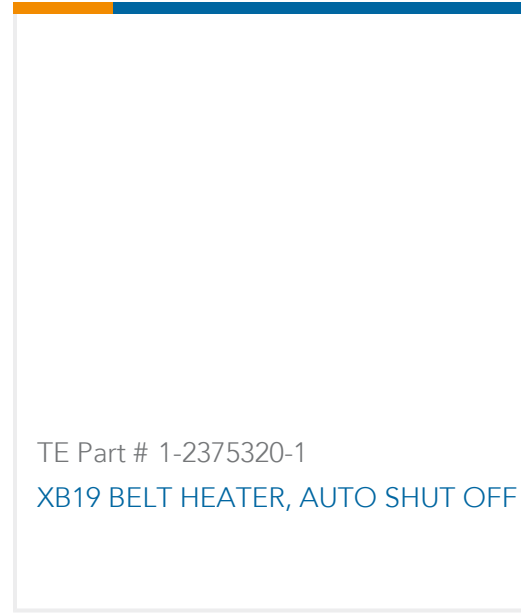
TE Part # 2375320-2
XB19 Belt Heater, 150mm (6")
Version



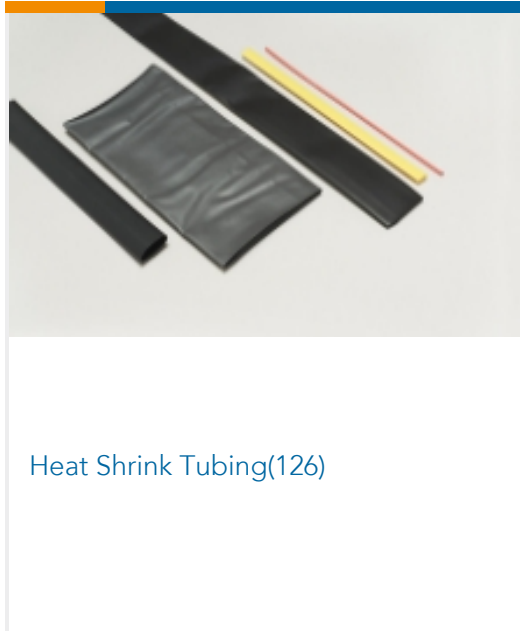
TE Part # 2376800-1
RBK-X1C STD



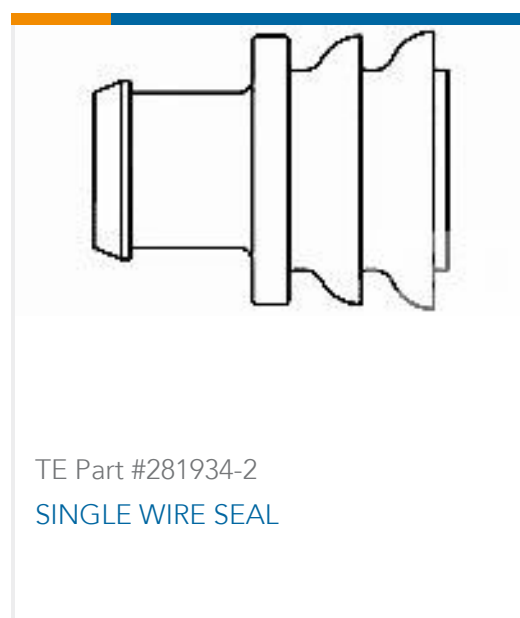
TE Part # 2376800-2
RBK-X1C CE STD



Also in the Series | RAYCHEM ES-2000



Customers Also Bought



Documents

[Product Drawings](#)
[ES2000-NO.3-B8-0-80MM](#)

English

[Datasheets & Catalog Pages](#)
[Measuring_Single_Wall_Tubing](#)

English



[ES2000 Pages from 9-1773447-9](#)

English

[Selecting_Correct_Tubing_1216](#)

English

[Flame-Retardant, Adhesive-Lined Heat-Shrinkable Tubing \(Extended Temp. Range\)](#)

English

[Product Specifications](#)

[Application Specification](#)

English