

**PLEASE CHECK WWW.MOLEX.COM FOR LATEST PART INFORMATION**

**Part Number:** [121023-0434](#)  
**Status:** **Active**  
**Overview:** Brad® mPm® DIN Valve Connectors  
**Description:** mPm® DIN Valve Connector, Type C, 2 Pole, PG7, Black Nitrile Flat Gasket

**Documents:**

[Drawing \(PDF\)](#) [RoHS Certificate of Compliance \(PDF\)](#)  
[Packaging Specification PK-121023-C19 \(PDF\)](#)

**Agency Certification**

UL E218123

**General**

Product Family Field Attachable / Accessories  
 Series [121023](#)  
 IP Rating IP67  
 Overview [Brad® mPm® DIN Valve Connectors](#)  
 Product Name mPm®  
 Type Field Attachable Connector  
 UPC 883906249045

**Physical**

Cable Diameter N/A  
 Coupling Type Internal Thread  
 Diagnostics / LEDs No  
 Diagnostics Port No  
 Gender N/A  
 Keyway None  
 Material - Connector Body Polypropylene  
 Material - Contact Brass  
 Material - Coupling Nut N/A  
 Material - Plating Mating Silver  
 Net Weight 10.078/g  
 Orientation 90° Angle  
 Poles 2  
 Temperature Range - Operating -40°C to +90°C  
 Wire Size AWG N/A

**Electrical**

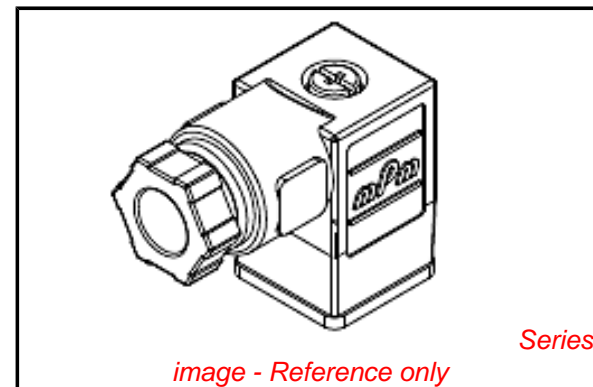
Current - Maximum per Contact 16A  
 Voltage - Maximum 250V AC / 300V DC

**Material Info**

Old Part Number C19207N22

**Reference - Drawing Numbers**

Packaging Specification PK-121023-C19  
 Sales Drawing SD-121023-005



*image - Reference only*

**EU RoHS**

**RoHS Compliant by Exemption**  
**REACH SVHC**  
 Not Reviewed  
**Low-Halogen Status**  
**Low-Halogen**

**China RoHS**



**Need more information on product environmental compliance?**

Email [productcompliance@molex.com](mailto:productcompliance@molex.com)  
 For a multiple part number RoHS Certificate of Compliance, [click here](#)

Please visit the [Contact Us](#) section for any non-product compliance questions.

**Search Parts in this Series**  
[121023Series](#)