

PLEASE CHECK WWW.MOLEX.COM FOR LATEST PART INFORMATION

Part Number: [121012-0173](#)
Status: **Active**
Overview: [Brad® mPm® DIN Valve Connectors](#)
Description: Brad® mPm® DIN Valve Connector, Type A, 2 Pole, Black Flat Gasket and Screw

Documents:

[Drawing \(PDF\)](#) [Test Summary STR-1467 \(PDF\)](#)
[Packaging Specification PK-121013-B14 \(PDF\)](#) [RoHS Certificate of Compliance \(PDF\)](#)

General

Product Family	Field Attachable / Accessories
Series	121012
IP Rating	IP67
Overview	Brad® mPm® DIN Valve Connectors
Product Name	mPm®
Type	Field Attachable Connector
UPC	78172537197

Physical

Cable Diameter	N/A
Coupling Type	N/A
Diagnostics / LEDs	No
Diagnostics Port	No
Gender	N/A
Keyway	None
Material - Connector Body	Polypropylene
Material - Contact	Brass
Material - Coupling Nut	N/A
Material - Plating Mating	Silver
Orientation	90° Angle
Poles	2
Temperature Range - Operating	-40°C to +90°C
Wire Size AWG	N/A

Electrical

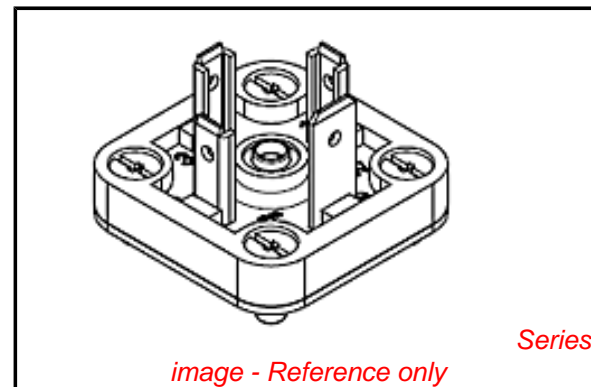
Current - Maximum per Contact	16A
Voltage - Maximum	250V AC/DC

Material Info

Old Part Number	B142000W2SA
-----------------	-------------

Reference - Drawing Numbers

Packaging Specification	PK-121013-B14
Sales Drawing	SD-121012-001
Test Summary	STR-1467



EU RoHS

**ELV and RoHS
Compliant
REACH SVHC
Not Reviewed
Low-Halogen Status
Not Reviewed**

China RoHS



Need more information on product environmental compliance?

Email productcompliance@molex.com
 For a multiple part number RoHS Certificate of Compliance, [click here](#)

Please visit the [Contact Us](#) section for any non-product compliance questions.

Search Parts in this Series

121012Series