



Connectors > PCB Connectors > PCB Connector Accessories > Protection & Strain Relief > PCB Connector Shrouds



Connector Mounting Accessory Type: **Shroud**

Standoff Height: **.5 mm [.02 in]**

Mating Alignment: **With**

Number of Positions: **60**

Centerline (Pitch): **2.5 mm [.098 in]**

Features

Product Type Features

Connector Mounting Accessory Type	Shroud
Sealable	No

Configuration Features

Card Slot Centerline	17.8 mm [.7 in]
PCB Mount Orientation	Vertical
Number of Positions	60
Number of Rows	6
Number of Columns	10

Body Features

Shroud Color	Black
Shroud Material	Liquid Crystal Polymer (LCP)

Contact Features

CompactPCI	No
Contact Underplating Material	Nickel

Mechanical Attachment

Mating Alignment Type	Polarization
Mating Alignment	With

Housing Features

--	--



Centerline (Pitch)	2.5 mm[.098 in]
--------------------	-----------------

Dimensions

Standoff Height	.5 mm[.02 in]
Row-to-Row Spacing	1.5 mm, 2 mm[.059 in][.079 in]
Product Length	25.73 mm[1.102 in]
Product Height	11.8 mm[.46 in]
Product Width	17 mm[.669 in]

Usage Conditions

Operating Temperature Range	-65 – 105 °C[-85 – 221 °F]
-----------------------------	----------------------------

Operation/Application

Solder Process Feature	Board Standoff
------------------------	----------------

Industry Standards

UL Flammability Rating	UL 94V-0
------------------------	----------

Packaging Features

Packaging Method	Package
------------------	---------

Product Compliance

[For compliance documentation, visit the product page on TE.com>](#)

EU RoHS Directive 2011/65/EU	Compliant
EU ELV Directive 2000/53/EC	Compliant
China RoHS 2 Directive MIIT Order No 32, 2016	No Restricted Materials Above Threshold
EU REACH Regulation (EC) No. 1907/2006	Current ECHA Candidate List: JUN 2020 (209) Candidate List Declared Against: JAN 2020 (205) Does not contain REACH SVHC
Halogen Content	Low Halogen - Br, Cl, F, I < 900 ppm per homogenous material. Also BFR/CFR/PVC Free
Solder Process Capability	Not applicable for solder process capability

Product Compliance Disclaimer

This information is provided based on reasonable inquiry of our suppliers and represents our current actual knowledge based on the information they provided. This information is subject to change. The part numbers that TE has identified as EU RoHS compliant have a maximum concentration of 0.1% by weight in homogenous materials for lead, hexavalent chromium, mercury, PBB, PBDE, DBP, BBP, DEHP, DIBP, and 0.01% for cadmium, or qualify for an exemption to these limits as defined in the Annexes of Directive 2011/65/EU (RoHS2). Finished electrical and electronic equipment products will be CE marked as required by Directive 2011/65/EU. Components may not be CE marked. Additionally, the part

numbers that TE has identified as EU ELV compliant have a maximum concentration of 0.1% by weight in homogenous materials for lead, hexavalent chromium, and mercury, and 0.01% for cadmium, or qualify for an exemption to these limits as defined in the Annexes of Directive 2000/53/EC (ELV). Regarding the REACH Regulation, the information TE provides on SVHC in articles for this part number is based on the latest European Chemicals Agency (ECHA) 'Guidance on requirements for substances in articles' posted at this URL: <https://echa.europa.eu/guidance-documents/guidance-on-reach>

Compatible Parts



TE Model / Part # 5120682-1
Z-PACK HS3 SHRD ASSY 60P CNTR

Also in the Series | Z-PACK HS3



Header & Receptacle Guide Hardware (1)



High Speed Backplane Connectors(42)



PCB Connector Shrouds(2)

Customers Also Bought



TE Model / Part #5414946-2
PLUG, CBL, STR, SMB, PB FREE



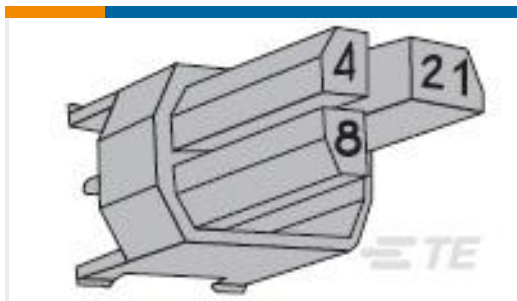
TE Model / Part #646478-5
2MM H.M., "A" SHROUD, 4.5MM



TE Model / Part #5188578-1
Z-PACK/A M HDR.154P



TE Model / Part #5352128-1
Z-PACK T-B MALE HEADER 154P



TE Model / Part #100525-3
Z-PACK M.CODING KEY



TE Model / Part #5352712-1
Z-PACK/B-HDR, 154 POSN



TE Model / Part #5-103233-4
10 MODII HDR DRST UNSHRD A/PIN



TE Model / Part #646483-5
2MM H.M.,A/B 19 SHROUD 4.5MM



Documents

CAD Files

3D PDF

3D

Customer View Model

[ENG_CVM_CVM_120729-1_C.2d_dxf.zip](#)

English

Customer View Model

[ENG_CVM_CVM_120729-1_C.3d_igs.zip](#)

English

Customer View Model

[ENG_CVM_CVM_120729-1_C.3d_stp.zip](#)

English

By downloading the CAD file I accept and agree to the [Terms and Conditions](#) of use.

Product Specifications

Application Specification

English

Agency Approvals

UL Report

English