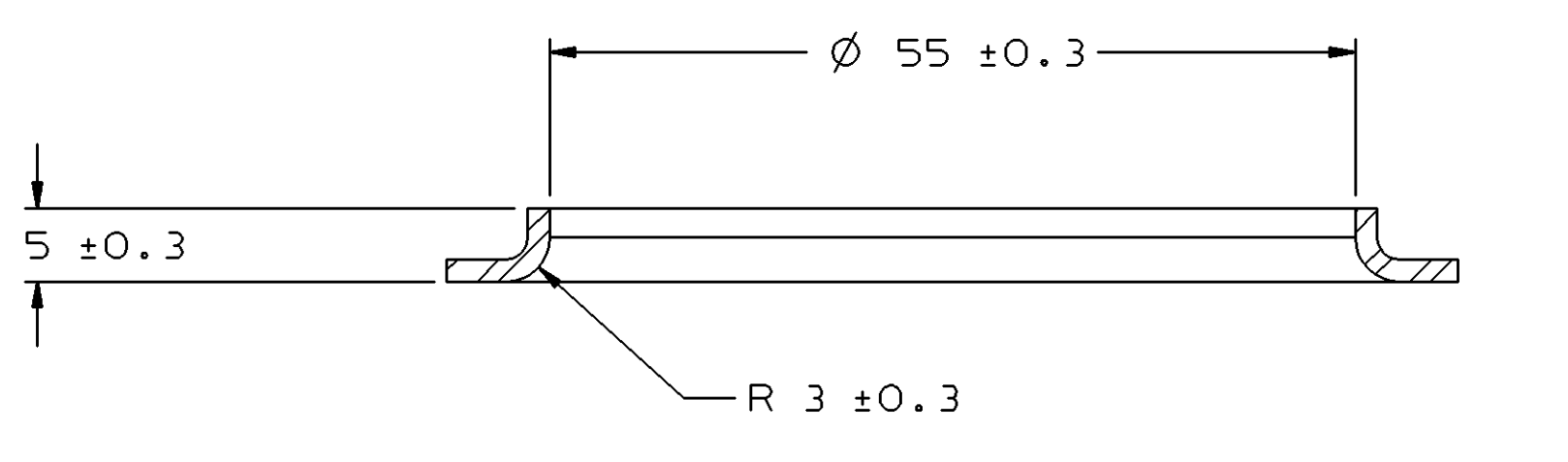
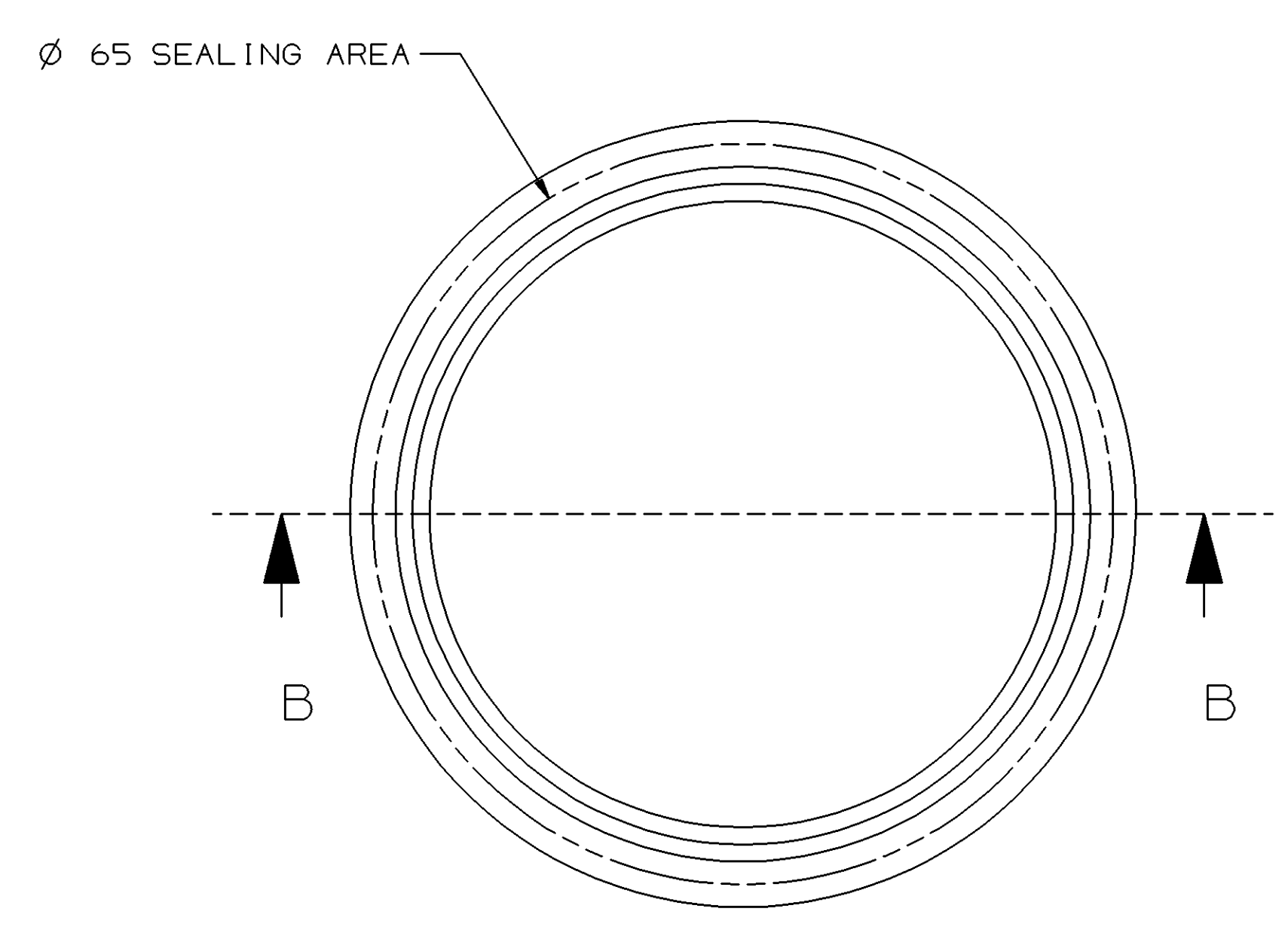
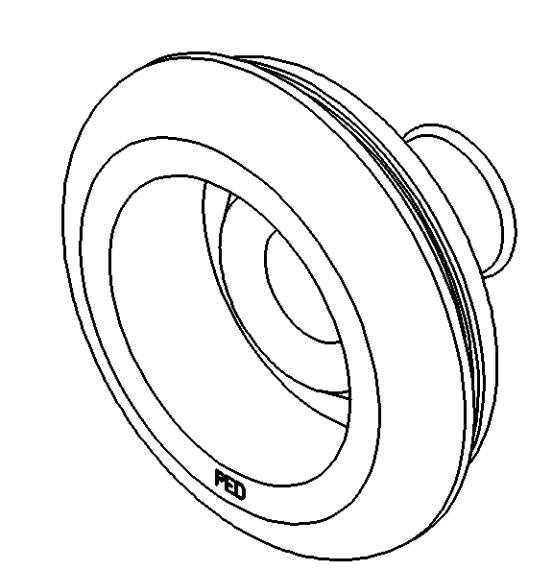
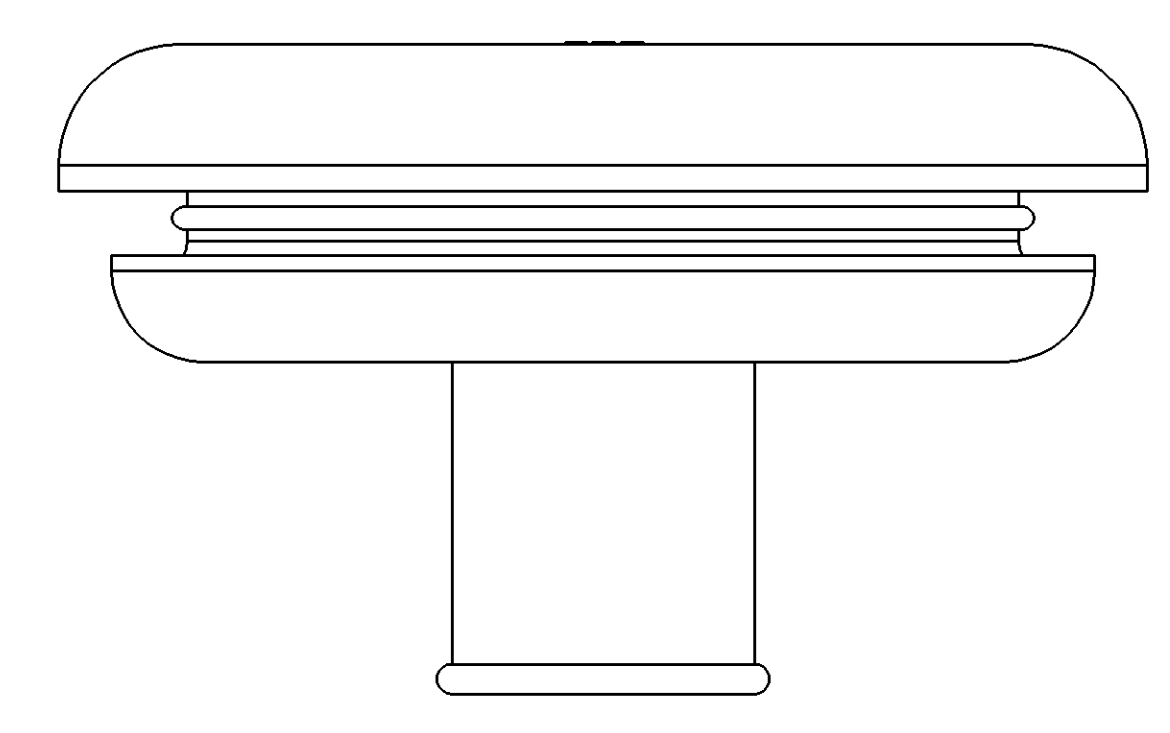
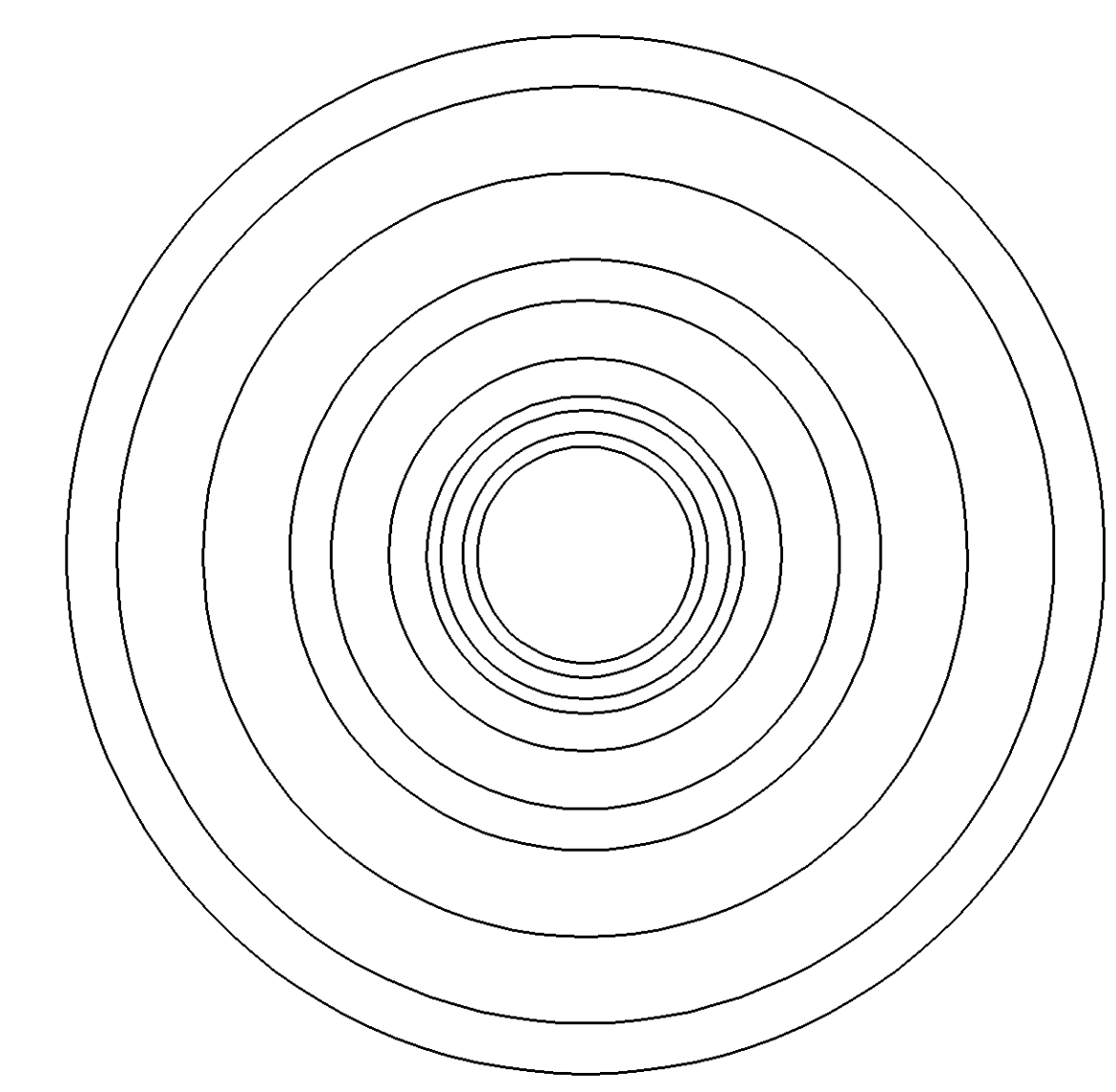
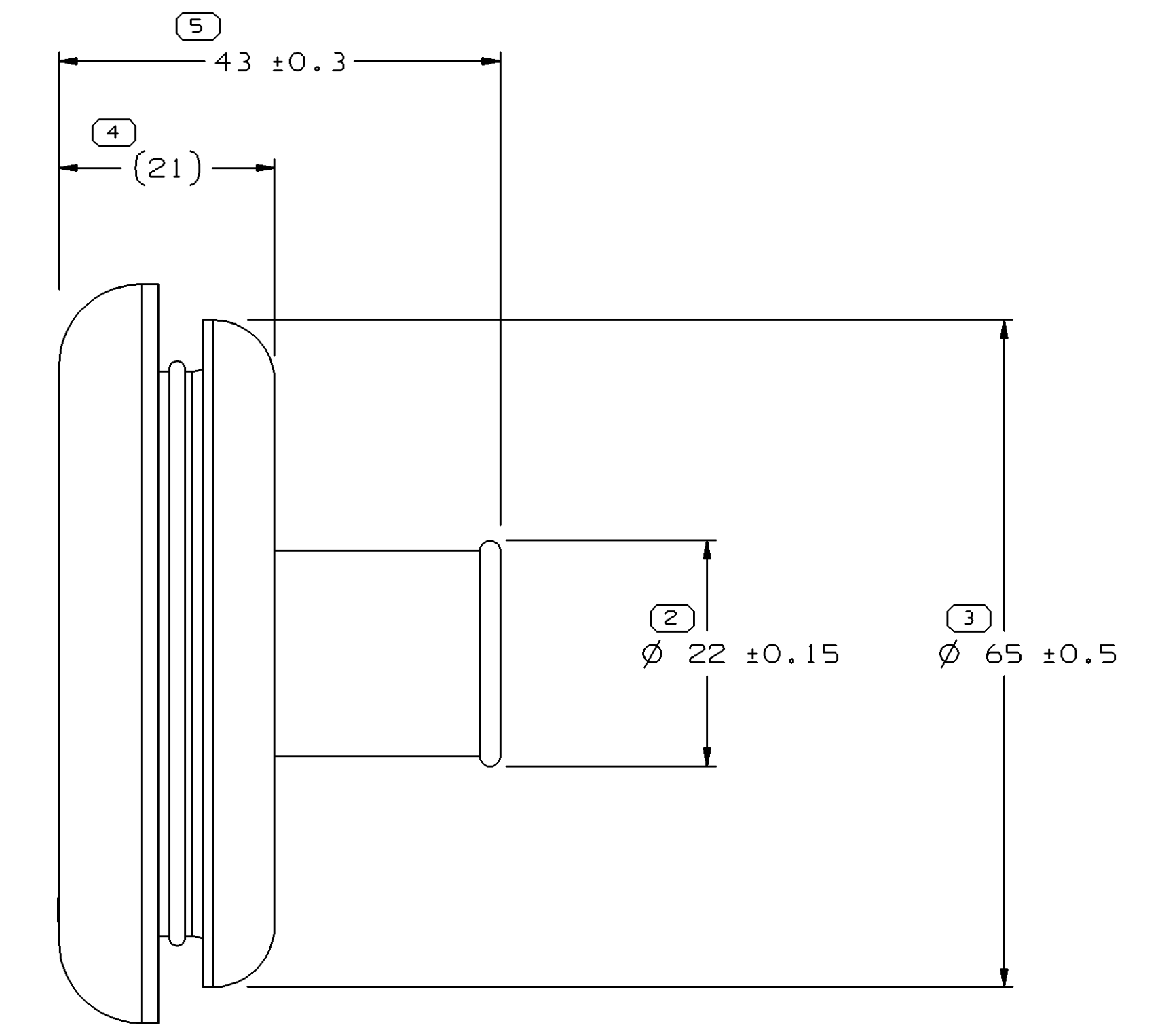
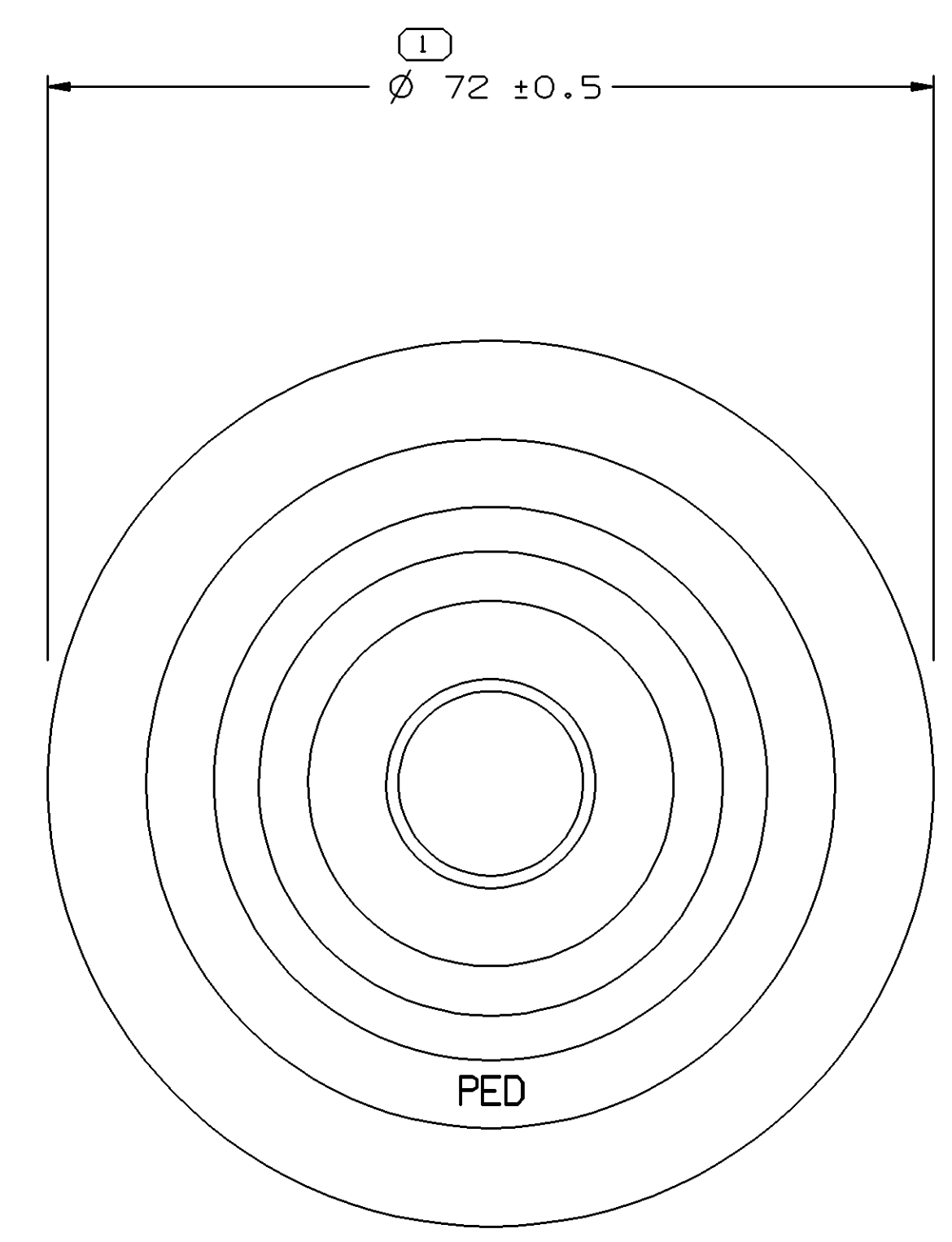
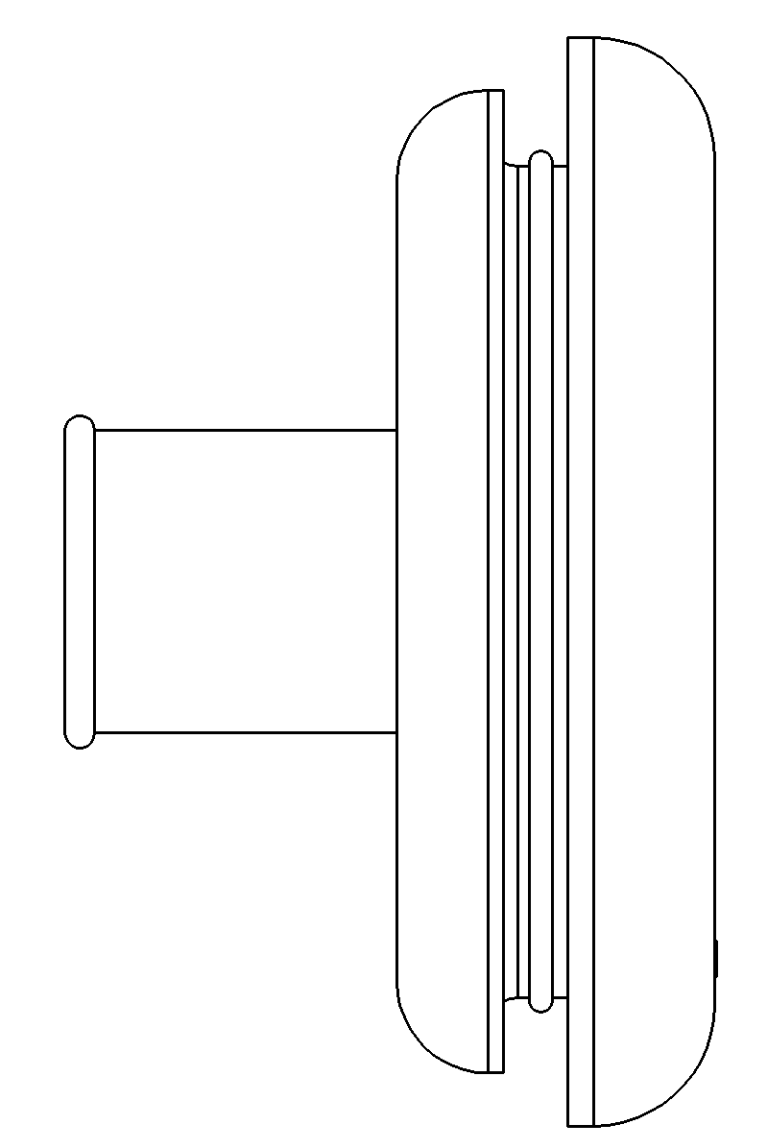
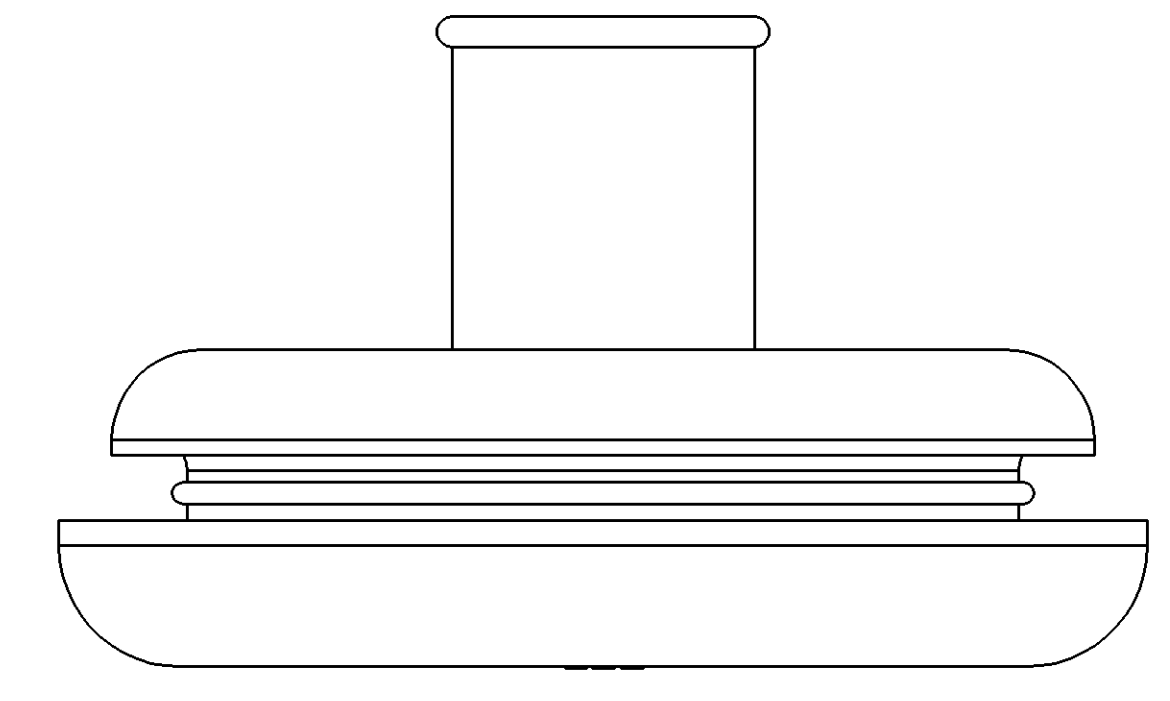


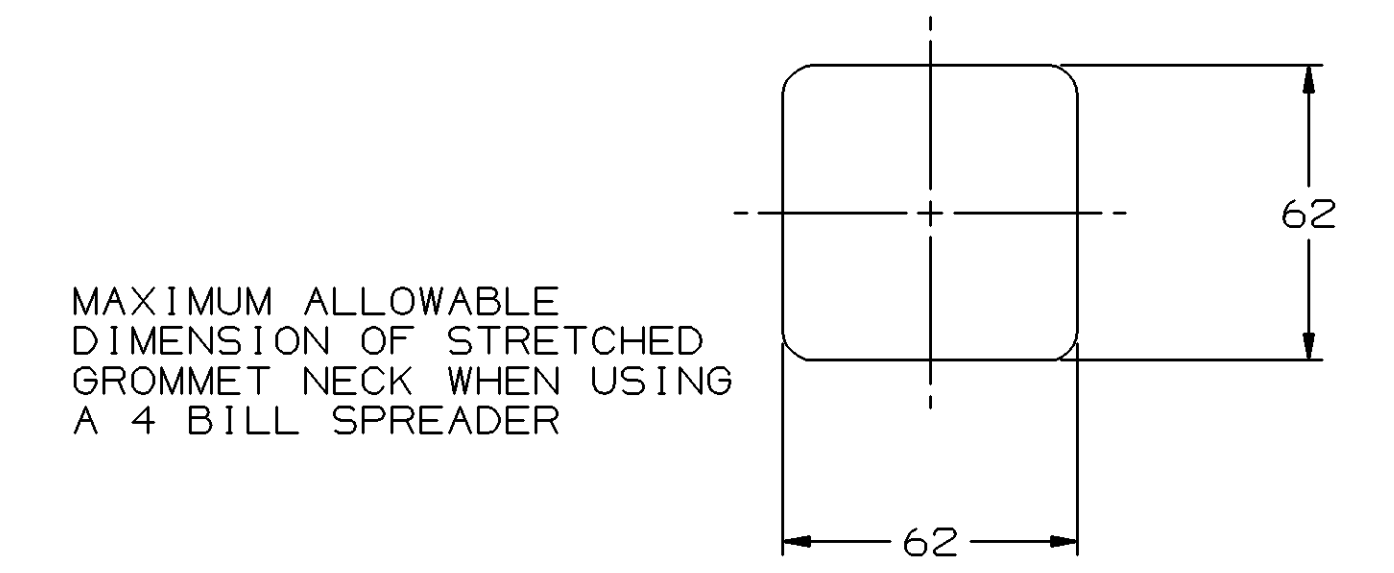
SYMBOL DEFINITION		MISSING SYMBOLS		DWO STATUS				REVISION HISTORY				AUTH		DR		APVD	
A DIMENSION WITHOUT AN INSPECTION REPORT SYMBOL DOES NOT REQUIRE INSPECTION. IT MAY BE CONTROLLED ON THE INDIVIDUAL COMPONENT DRAWING.		TOTAL NO OF INSPECTIONS REQUIRED	NO MISSING SYMBOL NUMBER	DATE	STG	REV	N/P	CHG	ZONE	Cleared Rev Column & Redrawn to PD				264552	ADK	ADK	JS
⊕		5															
		LAST NO. USED	5														



SECTION B-B
MOUNTING HOLE INFORMATION
SCALE 2:1



- NOTES:
- UNLESS OTHERWISE SPECIFIED AND/OR INDICATED: DIMENSIONS ARE TO FACE OF VIEW SHOWN AND AUTOMATICALLY ROUNDED BY COMPUTER FOR INSPECTION. (SEE MATH MODEL FOR PRECISE DIMENSION) FOR ALL OTHER DIMENSIONS NOT SHOWN BUT REQUIRED FOR TOOL BUILD, SEE MATH MODEL FOR PRECISE TOOL PATH DATA.
 - THIS GROMMET TO BE USED WITH HARNESS BUNDLE SMOOTH TAPE WRAPPED USING 5 MIL TAPE HAVING NO SLITS ON EDGES.
 - PART IS SYMMETRICAL ABOUT CENTERLINE, EXCEPT AS NOTED.
 - REFERENCE SUMITOMO PART NUMBER 8281 9-01070.
 - THIS PART IS NOT CONTROLLED FOR AUTOMATIC FEEDING.
 - (2, 3) X (0.1) DELPHI CORPORATE BRAND TO BE LOCATED ON ANY EXTERIOR SURFACE, PREFERABLY VISIBLE AT FINAL ASSEMBLY. OPTIONAL CONSTRUCTION TO BE "PED".



DWO TYPE		PART DRAWING	
STYLE	D		
VOLUME (COP)	39,822	DISTR CODE	D
UNLESS OTHERWISE SPECIFIED			
THIS DOCUMENT IS IN ACCORDANCE WITH ASME Y14.5M-1994 AS AMENDED BY THE 2003 DIMENSIONING AND TOLERANCING ADDENDUM - 1997. ALL GEOMETRIC TOLERANCES AND RELATED SURFAC APPL. RULES, IF PRESENT FORM A3 MNCI DOES NOT APPLY. RELATIONSHIP BETWEEN FEATURES IS ESTABLISHED BY ORIENTATION OR LOCATION TOLERANCES. SEPARATE POSITION DILLOUS MAY BE GAGED SEPARATELY, REGARDLESS OF DATUM REFERENCE.			
ALL DIMENSIONS ARE IN MILLIMETERS			
REFERENCE		12045255	
(N/A) PROCESS SENSITIVE DIMENSION		THIRD ANGLE PROJECTION	
DIMENSIONS ENCLOSED IN () INDICATE RETROFIT DIMENSIONS AND NO TOLERANCE LIMITS ARE ESTABLISHED		DO NOT SCALE	
DIMENSIONAL RANGE (MM)		USE MATH DATA	
FROM	> 0	> 25	> 60
TO	<= 60	<= 80	> 80
TOLERANCE UNLESS OTHERWISE SPECIFIED		UNGRAPHS	
±0.3 ±0.5 ±0.6 ±0.752			
ANGULAR TOLERANCE 12°			

DELPHI	
DELPHI PACKARD ELECTRIC SYSTEMS WARREN, OH	
DR	DATE
APVD1 RON BALDWIN	21MY87
APVD2 F. HESTON	29MY87
APVD3 K. GRZENA	08_JN87
APVD4	
APVD5	
SUBSTANCES OF CONCERN AND RECYCLED CONTENT PER DELPHI 10949001	
MATERIAL M4433002	
DRAWING NAME	
GROM TAPE ON	
DRAWING NUMBER	
12066591	
SIZE	SCALE
A0	2:1
FRAME NO	SHEET NO
1 OF 1	1 OF 1
REV	N/P
B5	-