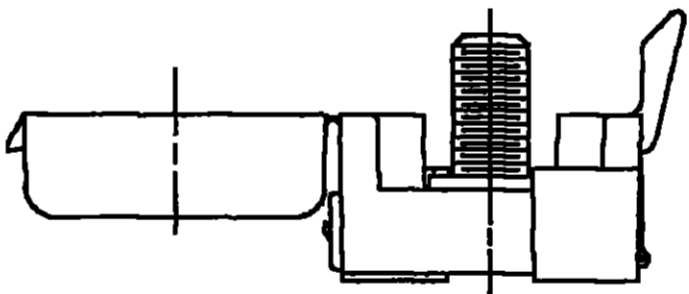
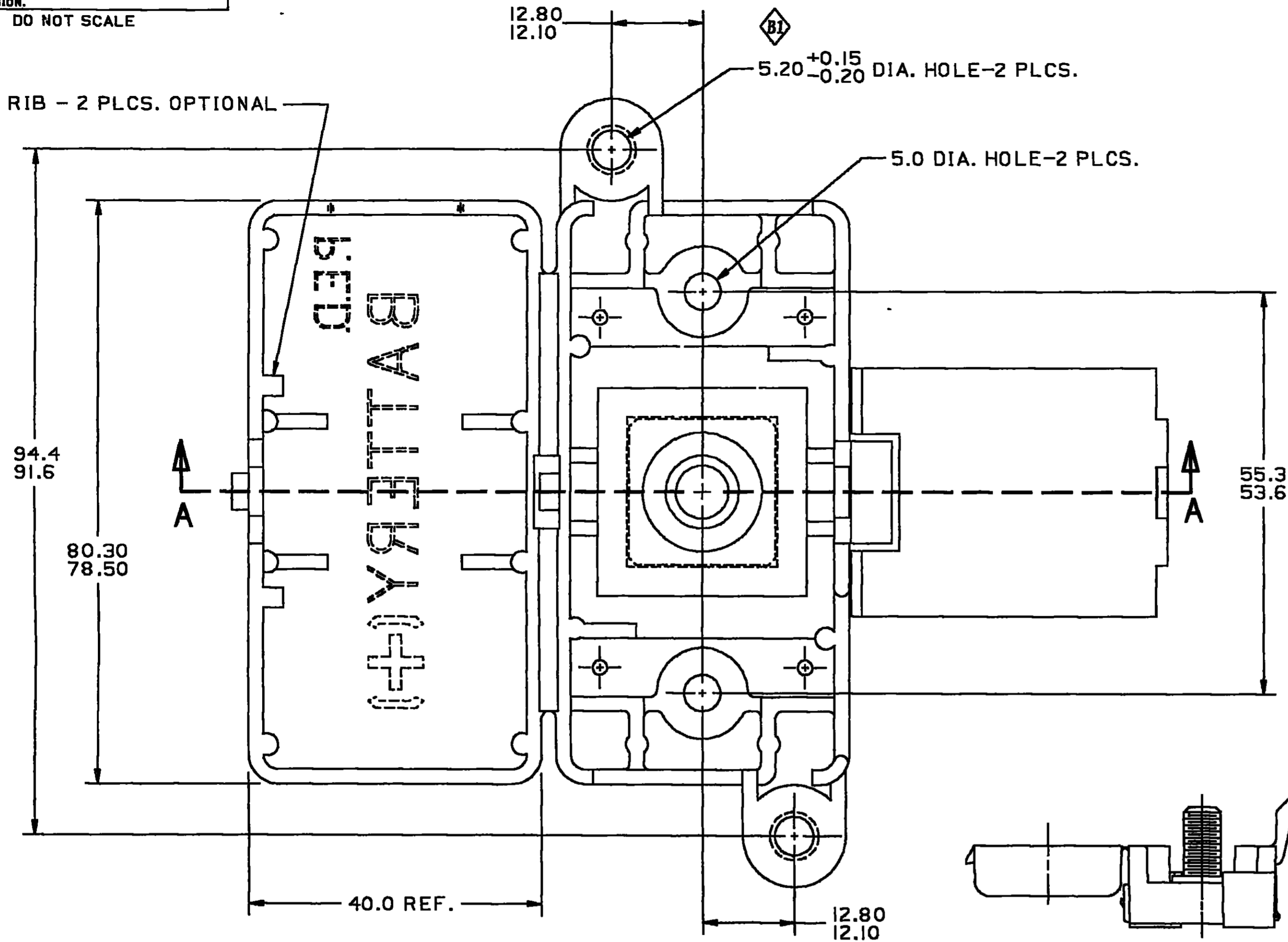


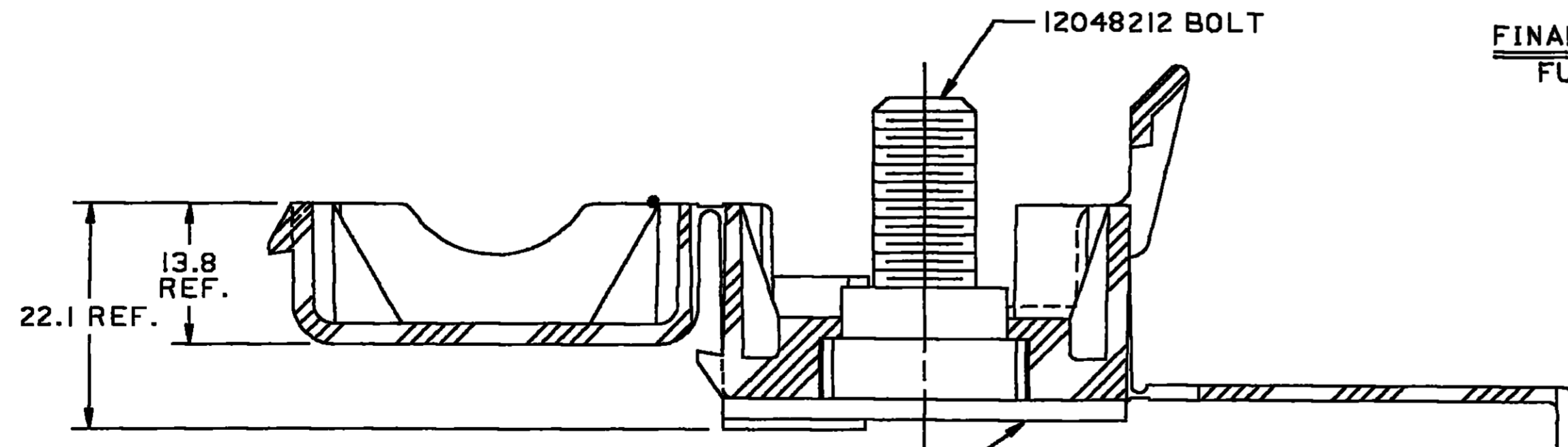
D THIS DRAWING AND DESIGN HEREON CONSTITUTES A PROPRIETARY DESIGN OF PACKARD ELECTRIC DIVISION AND IS NOT TO BE DUPLICATED OR REPRODUCED WITHOUT AUTHORITY OF PACKARD ELECTRIC DIVISION.

DO NOT SCALE

RIB - 2 PLCS. OPTIONAL



FINAL ASSEMBLY
FULL SIZE



SECTION A-A

BOTTOM HINGE TO BE CLOSED IN DIRECTION OF ARROW AFTER INSERTION OF BOLT INTO CONNECTOR.

| DATE | SYM | REVISION RECORD | AUTH | DR | CK |
|--------|-----|--|--------|-----|-----|
| 10AU83 | A | RELEASED | 83005 | DT | |
| 22JN84 | B | CONN. WAS 12041317; BOLT WAS 12020096 | | | RLS |
| 22JA87 | | REVISED DIMS. 5 PLCS. | 111594 | CDH | TM |
| 01SE87 | | REVISED PICTURE. | 115465 | JP | JC |
| 23AU89 | BI | REVISED DIMENSION, NAME & REMOVED "PATENT PENDING" | 129048 | DT | DT |

DRAWING NO.
1204 1318

C06D2109

| | | | |
|--|--------------------------------------|------------------------|-------------|
| METRIC | | THIRD ANGLE PROJECTION | |
| DIMENSIONS ARE IN MILLIMETERS UNLESS OTHERWISE SPECIFIED | | | |
| CODE NO. 6900 | TOLERANCE UNLESS OTHERWISE SPECIFIED | ANGULAR ± 2° | |
| QC -C-5126 | DECIMAL: | ONE PLACE ± 0.3 | |
| DWG. DATE 10AU83 | SCALE 2:1 | TWO PLACE ± 0.15 | |
| CD.A.12041318 | DR. <i>David M. Patcher</i> | DATE 10AU83 | DATE 29AU84 |
| REFERENCE NO. | CK. D.E. THIRY | DATE 29AU84 | DATE 29AU84 |
| | APPR. F. MLAKAR | DATE 29AU84 | DATE 29AU84 |
| | APPR. A.B. WICKHOLTZICK | DATE 29AU84 | |
| MATERIAL SPEC. | | | |
| NAME ASM CONN REMOTE ACCESS | | | |
| PART NO. 1204 1318 | | | SIZE C |

PACKARD ELECTRIC DIVISION
GENERAL MOTORS CORPORATION
WARREN, OHIO

53A
-0-
1141
99
92V
41A