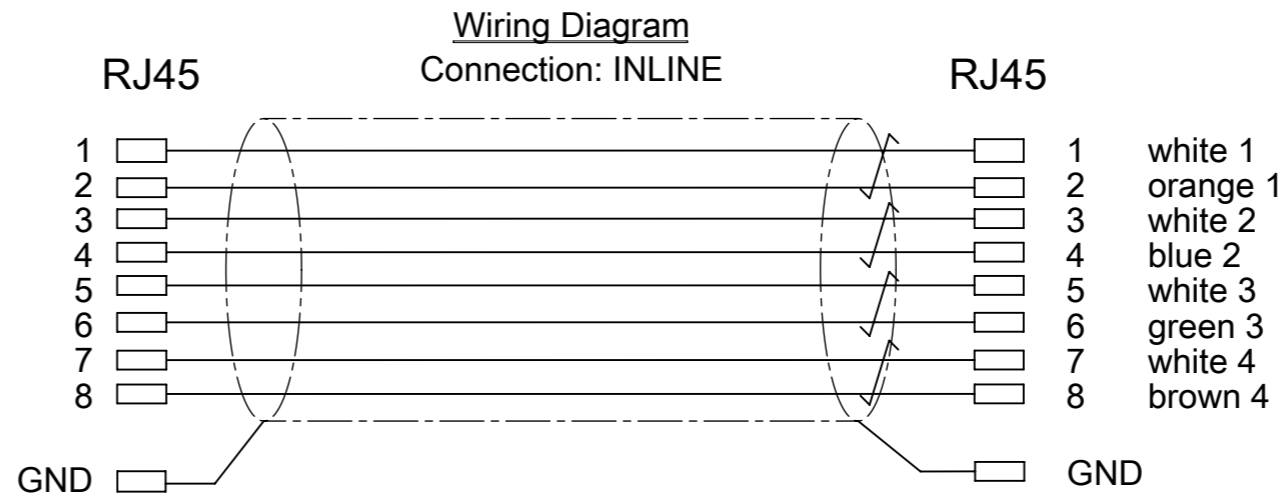
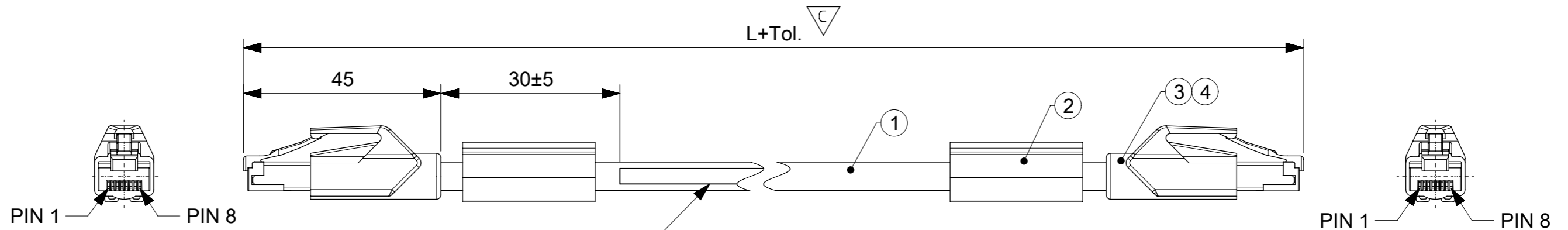


CABLE SPECIFICATION:

CONDUCTOR:
SECTION 4x2x26AWG
JACKET:
MATERIAL: PUR
COLOR: TEAL
DIAMETER: 6.4mm
TEMPERATURE RANGE:
DINAMIC: -10°C TO +50°C
STATIC: -40°C TO +70°C
MAX. OPERATING VOLTAGE: 125V

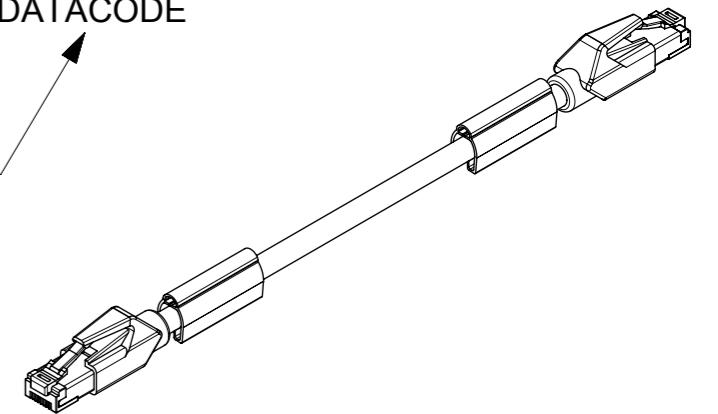


PAIRS OF WIRES
PAIR 1: WHITE 1 - ORANGE 1
PAIR 2: WHITE 2 - GREEN 2
PAIR 3: WHITE 3 - BROWN 3
PAIR 4: WHITE 4 - BLUE 4



CABLE PRINTING:
MOLEX ETHERNET CABLE CAT6A 4x2x26 MOLEX PN DATACODE

SEE TABLE 1
DATE ACC. TO WN-00001



SCALE 1:2

TABLE 1

MOLEX PN	L[mm]	ENGINEERING PN
1203410608	500	E66E06020M005H
1203410609	1000	E66E06020M010H
1203410610	2000	E66E06020M020H
1203410611	5000	E66E06020M050H
1203410612	10000	E66E06020M100H
1203410613	15000	E66E06020M150H
1203410620	20000	E66E06020M200H
1203410621	30000	E66E06020M300H
1203410622	40000	E66E06020M400H
1203410623	50000	E66E06020M500H
1203410624	60000	E66E06020M600H
1203410625	70000	E66E06020M700H

OVER	UP TO AND INCLUDING	TOLERANCE
0	305	+19
305	915	+45
915	1830	+56
1830	3660	+89
3660	7320	+165
7320	14640	+317
14640	30500	+610
30500	>	+2% OF LENGTH

BILL OF MATERIALS

ITEM	QTY.	DESCRIPTION	MATERIAL	FINISH
4	-	TAPE	COPPER	-
3	2	PLUG RJ45	-	-
2	2	ID CARRIER	-	-
1	-	CABLE 26AWG D6.4	PUR	-

FUNCTIONAL SYMBOLS FA = 0 FE = 0 FE = 0	THIS DRAWING CONTAINS INFORMATION THAT IS PROPRIETARY TO MOLEX ELECTRONIC TECHNOLOGIES, LLC AND SHOULD NOT BE USED WITHOUT WRITTEN PERMISSION	SCALE mm 1:1	CURRENT REV DESC:		
	GENERAL TOLERANCES (UNLESS SPECIFIED)	ANGULAR TOL ± °	EC NO: 634425		
	DIVISIONAL SYMBOLS	4 PLACES ±	DRWN: MKOWALCZYK01 2020/03/20	molex	
	3 PLACES ±	2 PLACES ±	CHK'D: DSTACHOWIAK 2020/03/23	CSE RJ45 CAT6A 8P 0C FE STR PUR XM-ID	
2 PLACES ±	1 PLACE ±	APPR: DSTACHOWIAK 2020/03/23	PRODUCT CUSTOMER DRAWING		
1 PLACE ±	0 PLACES ±	INITIAL REVISION:	DRWN: DSTACHOWIAK 2017/05/29	DOCUMENT NUMBER	DOC TYPE
DRAFT WHERE APPLICABLE MUST REMAIN WITHIN DIMENSIONS	THIRD ANGLE PROJECTION	DRAWING	SERIES	MATERIAL NUMBER	CUSTOMER
		A3-SIZE	120341	1203410608	GENERAL MARKET
				PSD	000
				000	B
				SEE TABLE 1	1 OF 1