

**PLEASE CHECK WWW.MOLEX.COM FOR LATEST PART INFORMATION**

**Part Number:** [120232-0032](#)  
**Status:** **Active**  
**Overview:** Brad® M23 Signal and Power Connectors  
**Description:** BradConnectivity™ M23 Signal Connector, Female Insert, Solder Contacts, 19 (16+3) Poles

**Documents:**

[Drawing \(PDF\)](#) [RoHS Certificate of Compliance \(PDF\)](#)

**General**

Product Family	Field Attachable / Accessories
Series	<a href="#">120232</a>
Application	Signal
Comments	Insert with Solder Contacts
IP Rating	IP67
Overview	<a href="#">Brad® M23 Signal and Power Connectors</a>
Product Name	BradConnectivity™ M23
Type	Field Attachable Connector
UPC	883906205447

**Physical**

Cable Diameter	N/A
Coupling Type	N/A
Diagnostics / LEDs	No
Diagnostics Port	No
Gender	Female
Keyway	None
Material - Connector Body	Nylon
Material - Contact	N/A
Material - Coupling Nut	N/A
Material - Plating Mating	n/a
Net Weight	10.400/g
Orientation	Straight
Poles	19 (16+3)
Temperature Range - Operating	-40°C to +125°C
Wire Size AWG	N/A

**Electrical**

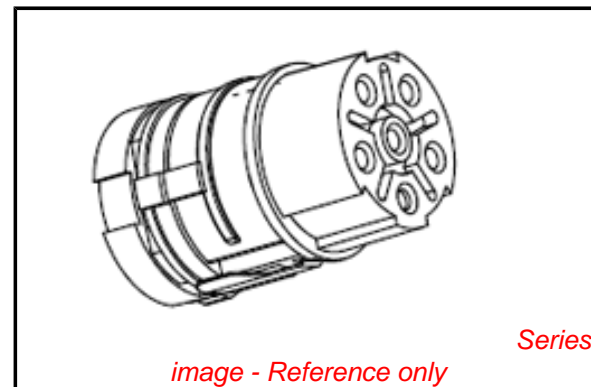
Current - Maximum per Contact	N/A
Voltage - Maximum	N/A

**Material Info**

Old Part Number	KISL0-55
-----------------	----------

**Reference - Drawing Numbers**

Sales Drawing	SD-120232-032
---------------	---------------



**EU RoHS**

**ELV and RoHS  
Compliant**  
**REACH SVHC**  
 Not Reviewed  
**Low-Halogen Status**  
 Not Reviewed

**China RoHS**



**Need more information on product  
environmental compliance?**

Email [productcompliance@molex.com](mailto:productcompliance@molex.com)  
 For a multiple part number RoHS Certificate of  
 Compliance, [click here](#)

Please visit the [Contact Us](#) section for any  
 non-product compliance questions.

**Search Parts in this Series**

[120232Series](#)