

PLEASE CHECK WWW.MOLEX.COM FOR LATEST PART INFORMATION

Part Number: [120232-0023](#)
Status: **Active**
Overview: Brad® M23 Signal and Power Connectors
Description: BradConnectivity™ M23 Signal Connector, Female Insert, Solder Contacts, 12 Poles

Documents:

[Drawing \(PDF\)](#) [RoHS Certificate of Compliance \(PDF\)](#)

General

Product Family	Field Attachable / Accessories
Series	120232
Application	Signal
Comments	Insert with Solder Contacts
IP Rating	IP67
Overview	Brad® M23 Signal and Power Connectors
Product Name	BradConnectivity™ M23
Type	Field Attachable Connector
UPC	883906205300

Physical

Cable Diameter	N/A
Coupling Type	N/A
Diagnostics / LEDs	No
Diagnostics Port	No
Gender	Female
Keyway	None
Material - Connector Body	Nylon
Material - Contact	N/A
Material - Coupling Nut	N/A
Material - Plating Mating	n/a
Net Weight	8.400/g
Orientation	Straight
Poles	12
Temperature Range - Operating	-40°C to +125°C
Wire Size AWG	N/A

Electrical

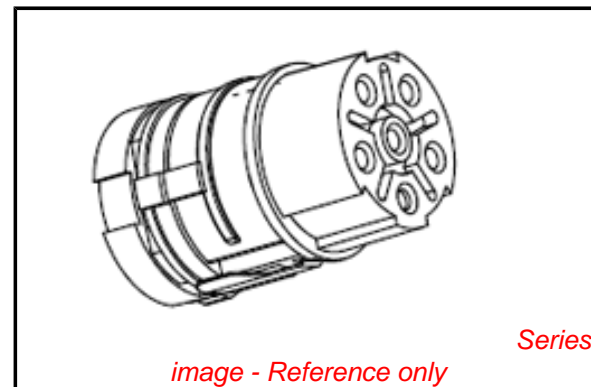
Current - Maximum per Contact	N/A
Voltage - Maximum	N/A

Material Info

Old Part Number	KISC0-55
-----------------	----------

Reference - Drawing Numbers

Sales Drawing	SD-120232-023
---------------	---------------



EU RoHS

**ELV and RoHS
Compliant**

REACH SVHC

Not Reviewed

Low-Halogen Status

Not Reviewed

China RoHS



**Need more information on product
environmental compliance?**

Email productcompliance@molex.com
 For a multiple part number RoHS Certificate of
 Compliance, [click here](#)

Please visit the [Contact Us](#) section for any
 non-product compliance questions.

Search Parts in this Series

[120232Series](#)