

PLEASE CHECK WWW.MOLEX.COM FOR LATEST PART INFORMATION

Part Number: [120114-0034](#)
Status: **Active**
Overview: Brad® Micro-Change® (M12) Connectors
Description: Micro-Change® Molded Junction Box, Top Mount, 4 Ports, 2(OI) per port, no LEDs, with Field Wireable Home Run Connection

Documents:

[Drawing \(PDF\)](#) [RoHS Certificate of Compliance \(PDF\)](#)

Agency Certification

CSA LR6837
 UL E152210

General

Product Family Passive Distribution Boxes
 Series [120114](#)
 IP Rating IP67
 NEMA Rating NEMA 6
 Overview [Brad® Micro-Change® \(M12\) Connectors](#)
 Product Name Micro-Change® (M12)
 UPC 78678887574

Physical

Bus I/O Micro-Change® (M12)
 Cable Connector Orientation 90° Angle
 Cable Length N/A
 Home Run Cable Length N/A
 Home Run Connector Terminal Strip
 Home Run Interface Terminal Strip
 Keyway Single
 LED Indicator No
 Material - Cable Jacket N/A
 Material - Housing PBT
 Material - Metal Copper Alloy
 Material - Plating Mating Gold over Nickel
 Orientation Top Mount
 Poles 5
 Poles (wired) 5
 Ports 4
 Temperature Range - Operating -20°C to +90°C
 Wiring Configuration Dual I/O per Port

Electrical

Current - Maximum per Contact 12A per module, 4A per port
 Functional Wiring Parallel
 Voltage - Maximum 10-30V DC

Material Info

Old Part Number BTY4030-FBA

Reference - Drawing Numbers

Sales Drawing SD-120114-012

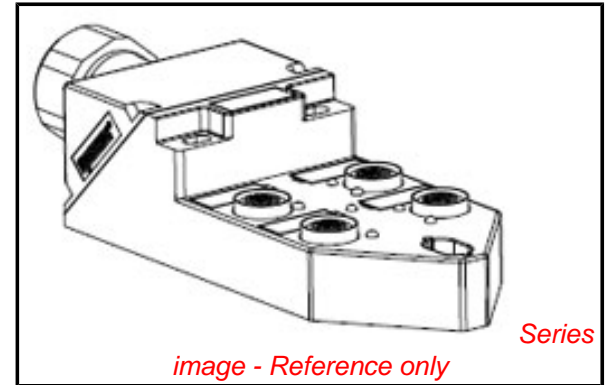
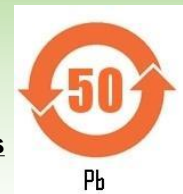


image - Reference only

EU RoHS

RoHS Compliant by Exemption
REACH SVHC Not Reviewed
Low-Halogen Status Not Reviewed

China RoHS



Need more information on product environmental compliance?

Email productcompliance@molex.com
 For a multiple part number RoHS Certificate of Compliance, [click here](#)

Please visit the [Contact Us](#) section for any non-product compliance questions.

Search Parts in this Series
 120114Series