

PLEASE CHECK WWW.MOLEX.COM FOR LATEST PART INFORMATION

Part Number: [120099-0024](#)
Status: **Active**
Overview: Brad® PROFIBUS Solutions
Description: PROFIBUS Trunk Receptacle, Straight Female Front Panel Mount, 5 Poles, 0.076m

Documents:

[Drawing \(PDF\)](#) [RoHS Certificate of Compliance \(PDF\)](#)

General

Product Family	Industrial Receptacles
Series	120099
IP Rating	IP67
NEMA Rating	NEMA 6
Overview	Brad® PROFIBUS Solutions
Product Name	Profibus* Trunk
Type	Single Ended (pigtail)
UPC	78678845950

Physical

Coupling Type	Internal Thread
Gender	Female
Keyway	Single
Length	0.076m
Material - Component	Nickel-plated Brass
Mounting Thread Size	M16
Net Weight	463.110/g
Orientation	Front Panel Mount to Straight
Panel Mount	Front
Poles	5
Temperature Range - Operating	-20°C to +80°C
Wire Size AWG	24
Wire/Cable Type	N/A

Electrical

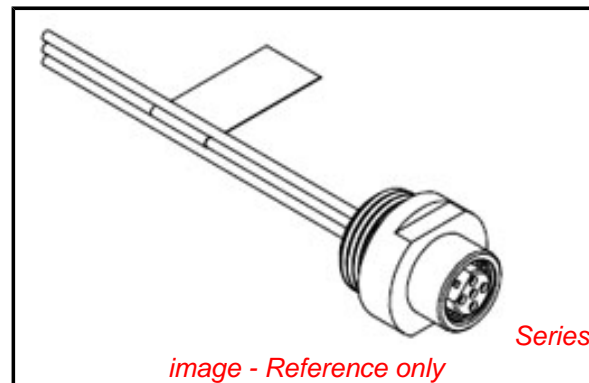
Current - Maximum per Contact	4A
Voltage - Maximum	250V

Material Info

Old Part Number	81689-030
-----------------	-----------

Reference - Drawing Numbers

Sales Drawing	SD-120099-004
---------------	---------------



EU RoHS

**ELV and RoHS
Compliant**
**REACH SVHC
Not Reviewed**
**Low-Halogen Status
Not Reviewed**

China RoHS



**Need more information on product
environmental compliance?**

Email productcompliance@molex.com
 For a multiple part number RoHS Certificate of
 Compliance, [click here](#)

Please visit the [Contact Us](#) section for any
 non-product compliance questions.

Search Parts in this Series

[120099Series](#)

PLEASE CHECK WWW.MOLEX.COM FOR LATEST PART INFORMATION