

PLEASE CHECK WWW.MOLEX.COM FOR LATEST PART INFORMATION

Part Number: [120084-0016](#)
Status: **Active**
Overview: Brad® Ultra-Lock® Connection System
Description: Ultra-Lock® (M12) 5 Poles, Front Panel Mount Receptacle, Female, 1/2"-14 NPT Mounting Threads, 22 AWG PVC Leads, Length 0.30m

Documents:

[Drawing \(PDF\)](#) [RoHS Certificate of Compliance \(PDF\)](#)

Agency Certification

CSA LR6837

General

Product Family	Industrial Receptacles
Series	120084
IP Rating	IP69K
NEMA Rating	NEMA 6
Overview	Brad® Ultra-Lock® Connection System
Product Name	Ultra-Lock® (M12)
Type	Single Ended (pigtail)
UPC	78678888407

Physical

Coupling Type	Internal Thread
Gender	Female
Keyway	Single
Length	0.30m
Material - Component	Nickel-plated Brass
Mounting Thread Size	1/2" - 14 NPT
Net Weight	50.120/g
Orientation	Straight
Panel Mount	Front
Poles	5
Temperature Range - Operating	-25°C to +90°C
Wire Size AWG	22
Wire/Cable Type	Leads, UL 1061

Electrical

Current - Maximum per Contact	4A
Voltage - Maximum	250V AC/DC

Material Info

Old Part Number	WR5000A18C300
-----------------	---------------

Reference - Drawing Numbers

Sales Drawing	SD-120084-027
---------------	---------------

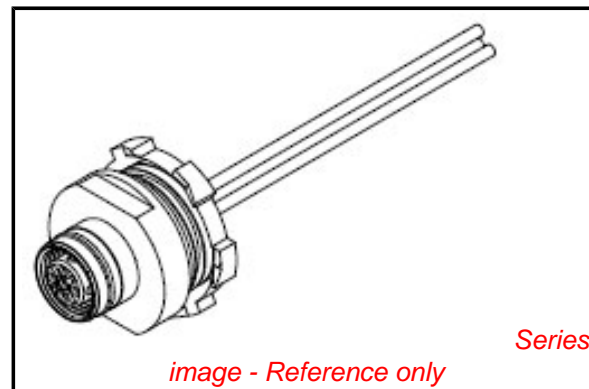


image - Reference only

EU RoHS

**ELV and RoHS
Compliant**
**REACH SVHC
Not Reviewed**
**Low-Halogen Status
Not Reviewed**

China RoHS



Need more information on product environmental compliance?

Email productcompliance@molex.com
 For a multiple part number RoHS Certificate of Compliance, [click here](#)

Please visit the [Contact Us](#) section for any non-product compliance questions.

Search Parts in this Series

120084Series

PLEASE CHECK WWW.MOLEX.COM FOR LATEST PART INFORMATION