

PLEASE CHECK WWW.MOLEX.COM FOR LATEST PART INFORMATION

Part Number: [120084-0007](#)
Status: **Active**
Overview: Brad® Ultra-Lock® Connection System
Description: Ultra-Lock® (M12) Front Panel Mount Receptacle, 4 Poles, 1/2"-14 NPT Mounting Threads, 22 AWG PVC Leads, Length 0.30m

Documents:

[Drawing \(PDF\)](#) [RoHS Certificate of Compliance \(PDF\)](#)

Agency Certification

CSA LR6837

General

Product Family Industrial Receptacles
 Series [120084](#)
 IP Rating IP69K
 NEMA Rating NEMA 6
 Overview [Brad® Ultra-Lock® Connection System](#)
 Product Name Ultra-Lock® (M12)
 Type Single Ended (pigtail)
 UPC 78678888411

Physical

Coupling Type Internal Thread
 Gender Female
 Keyway Single
 Length 0.30m
 Material - Component Nickel-plated Brass
 Mounting Thread Size 1/2" - 14 NPT
 Net Weight 51.020g
 Orientation Straight
 Panel Mount Front
 Poles 4
 Temperature Range - Operating -25°C to +90°C
 Wire Size AWG 22
 Wire/Cable Type Leads, UL 1061

Electrical

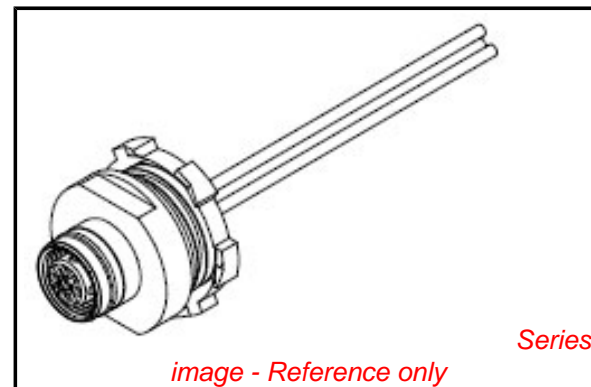
Current - Maximum per Contact 4A
 Voltage - Maximum 250V AC/DC

Material Info

Old Part Number WR4000A18C300

Reference - Drawing Numbers

Sales Drawing SD-120084-027



EU RoHS

**ELV and RoHS
 Compliant**
**REACH SVHC
 Not Reviewed**
**Low-Halogen Status
 Not Reviewed**

China RoHS



**Need more information on product
 environmental compliance?**

Email productcompliance@molex.com
 For a multiple part number RoHS Certificate of
 Compliance, [click here](#)

Please visit the [Contact Us](#) section for any
 non-product compliance questions.

Search Parts in this Series

120084Series