

PLEASE CHECK WWW.MOLEX.COM FOR LATEST PART INFORMATION

Part Number: [120074-0190](#)
Status: **Active**
Overview: Brad® Micro-Change® (M12) Connectors
Description: Micro-Change® (1/2" - 20 UNF) US Dual Keyway Receptacle, 5 Poles, 1/4" - 18 NPT Mounting Threads, Straight Male, 22 AWG PVC Leads, Length0.30m

Documents:

[Drawing \(PDF\)](#) [RoHS Certificate of Compliance \(PDF\)](#)

Agency Certification

CSA LR6837
 UL E152210

General

Product Family Industrial Receptacles
 Series [120074](#)
 IP Rating IP67
 NEMA Rating NEMA 6
 Overview [Brad® Micro-Change® \(M12\) Connectors](#)
 Product Name Micro-Change® (1/2" - 20 UNF)
 Type Single Ended (pigtail)
 UPC 78678821748

Physical

Coupling Type External Thread
 Gender Male
 Keyway Dual
 Length 0.305m
 Material - Component Gray Anodized Aluminum
 Mounting Thread Size 1/4" - 18 NPT
 Net Weight 25.580g
 Orientation Straight
 Panel Mount Front
 Poles 5
 Temperature Range - Operating -20°C to +80°C
 Wire Size AWG 22
 Wire/Cable Type Leads, UL 1061

Electrical

Current - Maximum per Contact 4A
 Voltage - Maximum 250V AC/DC

Material Info

Old Part Number 7R5A06A19A120

Reference - Drawing Numbers

Sales Drawing SD-120074-030

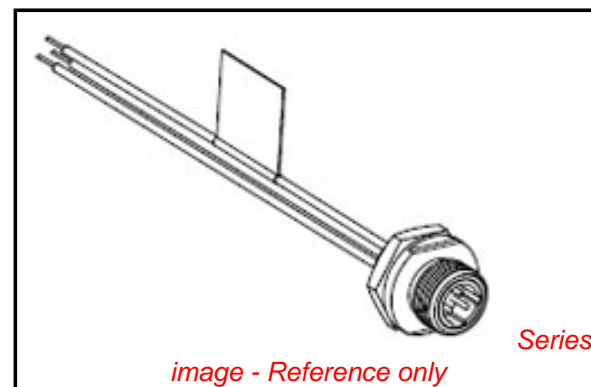


image - Reference only

EU RoHS

**ELV and RoHS
 Compliant**
**REACH SVHC
 Not Reviewed**
**Low-Halogen Status
 Not Reviewed**

China RoHS



**Need more information on product
 environmental compliance?**

Email productcompliance@molex.com
 For a multiple part number RoHS Certificate of Compliance, [click here](#)

Please visit the [Contact Us](#) section for any non-product compliance questions.

Search Parts in this Series
 120074Series