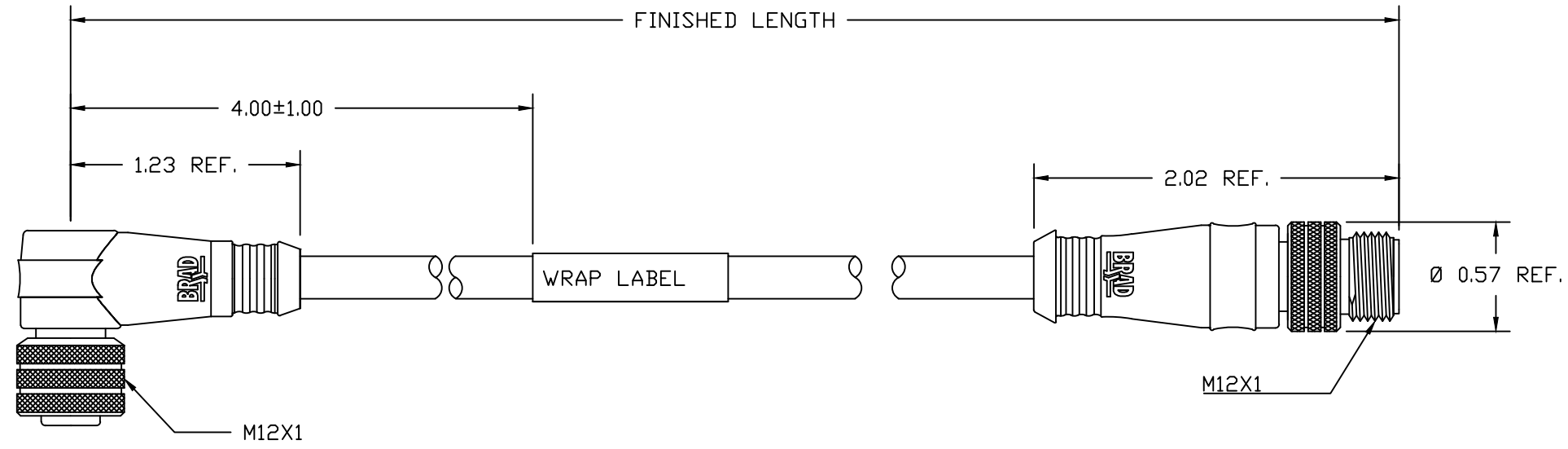
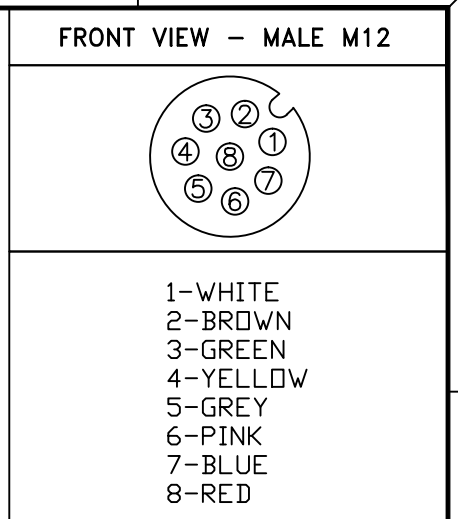


PART NUMBER	ENGINEERING NUMBER	FINISH LENGTH
1200690278	888J31E41M150	49.22' +24.5'-0 [15M +0.62 -0]



CUSTOMER PRODUCTION APPROVAL  
 APPROVED BY: \_\_\_\_\_  
 DATE: \_\_\_\_\_  
 MUST BE SIGNED AND RETURNED BEFORE  
 PRODUCTION WILL BEGIN.

**SALES DRAWING**

**NOTES:**

**MECHANICAL**

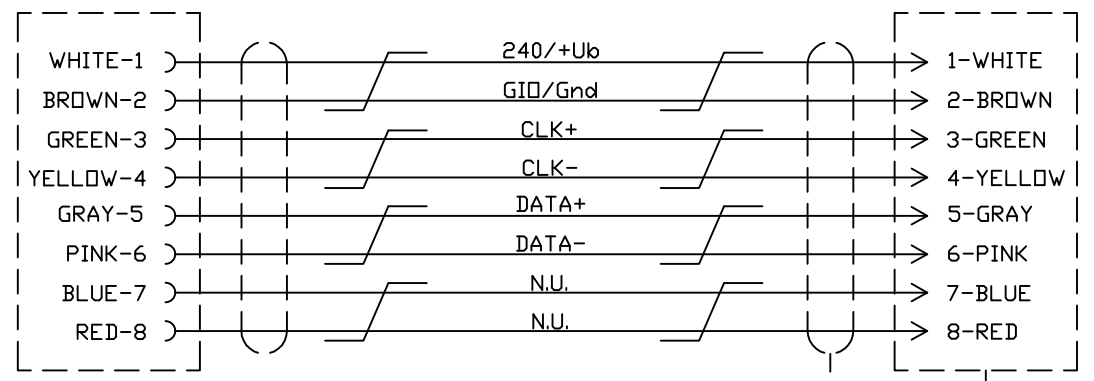
- M12
- INSERT: BLACK PUR
- CONTACT: GOLD/NICKEL OVER COPPER ALLOY
- COUPLING NUT: NICKEL PLATED BRASS
- MOLDED BODY: BLACK PUR

**CABLE**

- TYPE: 24 AWG 4 PAIR CONDUCTORS CP (TP) GRAY PUR JACKET
- WRAP LABEL: MARKED WITH P/N, DATE CODE, VOLTAGE & AMPERAGE

**ELECTRICAL**

- FACE
- OPERATING TEMP.: -20°C TO +70°C
- VOLTAGE: 30V
- AMPERAGE: 2A



INITIAL RELEASE EC NO: IPG2013-1315 DRWN: BARDEN 2013/02/25 CHKD: BWOODMAN APPR: BWOODMAN 2013/05/13	QUALITY SYMBOLS ▽=0 ▽C=0	GENERAL TOLERANCES (UNLESS SPECIFIED)		DIMENSION STYLE <b>INCH ONLY</b>		SCALE NTS	DESIGN UNITS INCH	THIRD ANGLE PROJECTION		
		4 PLACES	±---	±---	DRAWN BY	DATE	<b>MICRO-CHANGE ASSEMBLY          8P M/MFE ST/90 24/4P          PUR SHIELDED</b>			
		3 PLACES	±---	±.005	BARDEN	2013/02/25				
		2 PLACES	±0.13	±.010	CHECKED BY	DATE	<b>MOLEX INCORPORATED</b>			
1 PLACE	±0.25	±.020	BWOODMAN	2013/03/08						
ANGULAR ±.5°		DRAFT WHERE APPLICABLE MUST REMAIN WITHIN DIMENSIONS		APPROVED BY BWOODMAN	DATE 2013/05/13	MATERIAL NO. <b>SEE CHART</b>	DOCUMENT NO. <b>SD-120069-019</b>	SHEET NO. <b>1 OF 1</b>		
A		SIZE <b>B</b>		THIS DRAWING CONTAINS INFORMATION THAT IS PROPRIETARY TO MOLEX INCORPORATED AND SHOULD NOT BE USED WITHOUT WRITTEN PERMISSION						