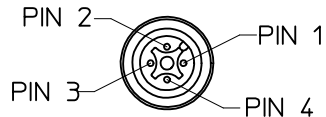
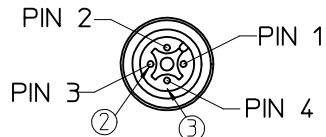


FACE VIEW
M12 MALE 4 POLE



FACE VIEW
M12 MALE 4 POLE

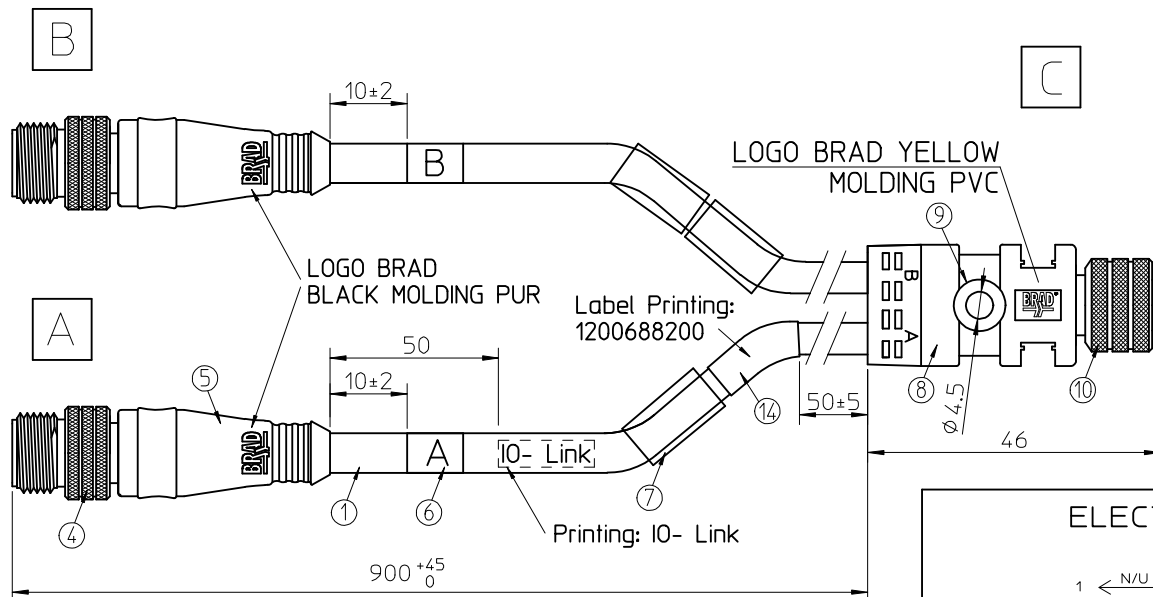


Cable data sheet

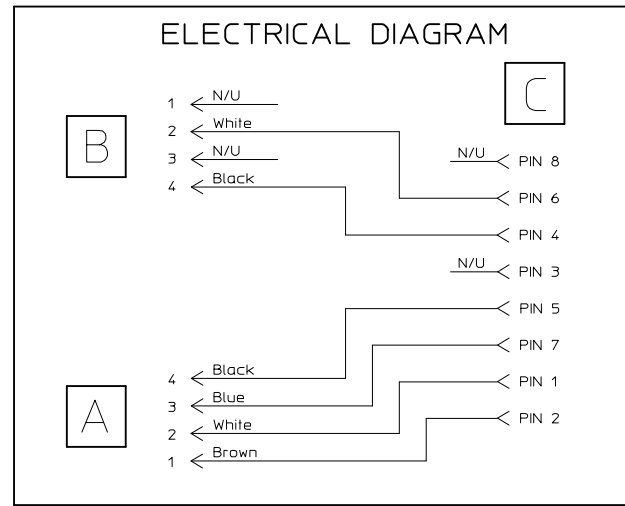
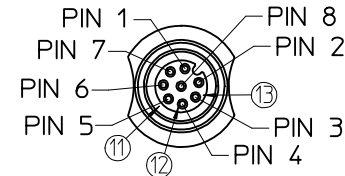
Conductors:
Material: Bare Copper
Insulation Compound: PVC
Section: 4x0.25mm²
Stranding: 32x0.1 mm
Jacket:
Compound: Outer PUR / Inner PVC
Color: Black
Diameter: 5.0 +0.3/-0.1mm
Temperature range (static): -30/+80°C
Temperature range (dynamic): -5/+80°C

Bill of Materials

ITEM	QTY.	DESCRIPTION	MATERIAL	FINISH
14	1	LABEL YELLOW	VINYL	-
13	1	INSERT 8 POLE FEMALE M12	PUR	-
12	8	CONTACT FEMALE	BRASS	SELECTIVE GOLD OVER NICKEL
11	1	ORING RED	FPM	-
10	1	COUPLING NUT FEMALE	BRASS	NICKEL PLATED
9	1	CENTRE SPACER-I.L.S.-YELLOW	PVC	-
8	-	MOLDING MATERIAL YELLOW	PVC	-
7	3	I/D CARRIER TRANSPARENT	PVC	-
6	2	LABEL MARKER	-	-
5	-	MOLDING MATERIAL BLACK	PUR	-
4	2	COUPLING NUT MALE	BRASS	NICKEL PLATED
3	2	INSERT 4 POLE MALE M12	PUR	-
2	8	CONTACT MALE	BRASS	SELECTIVE GOLD OVER NICKEL
1	-	CABLE 4x0.25mm ² BLACK OD=5.0mm	PUR/PVC	-



FACE VIEW
M12 FEMALE 8 POLE



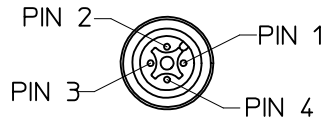
Notes:

1. Dimensions without tolerance are referential.

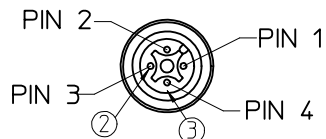
Engineering No.: 1200688200

ORIGINAL RELEASE EC NO: IPG2016-0320 DRWN:APAWLAK01 2015/08/28 CHKD:FGAIK 2015/08/28 APPR:MIWASIECZKO 2015/08/31	QUALITY SYMBOLS ▽=0 ◻=0	GENERAL TOLERANCES (UNLESS SPECIFIED)		DIMENSION STYLE MM ONLY		SCALE -	DESIGN UNITS METRIC	THIRD ANGLE PROJECTION		
			mm	INCH	DRAWN BY APAWLAK01	DATE 2015/08/28	TITLE ILS-8P-FE/ST 2XMA-ST/ST-0.9M			
		4 PLACES	± ---	± ---	CHECKED BY FGAIK	DATE 2015/08/28				
		3 PLACES	± ---	± ---	APPROVED BY MIWASIECZKO	DATE 2015/08/31				
ANGULAR ± --- °		DRAFT WHERE APPLICABLE MUST REMAIN WITHIN DIMENSIONS		MATERIAL NO. 1200688200		DOCUMENT NO. SD-120068-020		SHEET NO. 1 OF 1		
THIS DRAWING CONTAINS INFORMATION THAT IS PROPRIETARY TO MOLEX INCORPORATED AND SHOULD NOT BE USED WITHOUT WRITTEN PERMISSION										

FACE VIEW
M12 MALE 4 POLE



FACE VIEW
M12 MALE 4 POLE

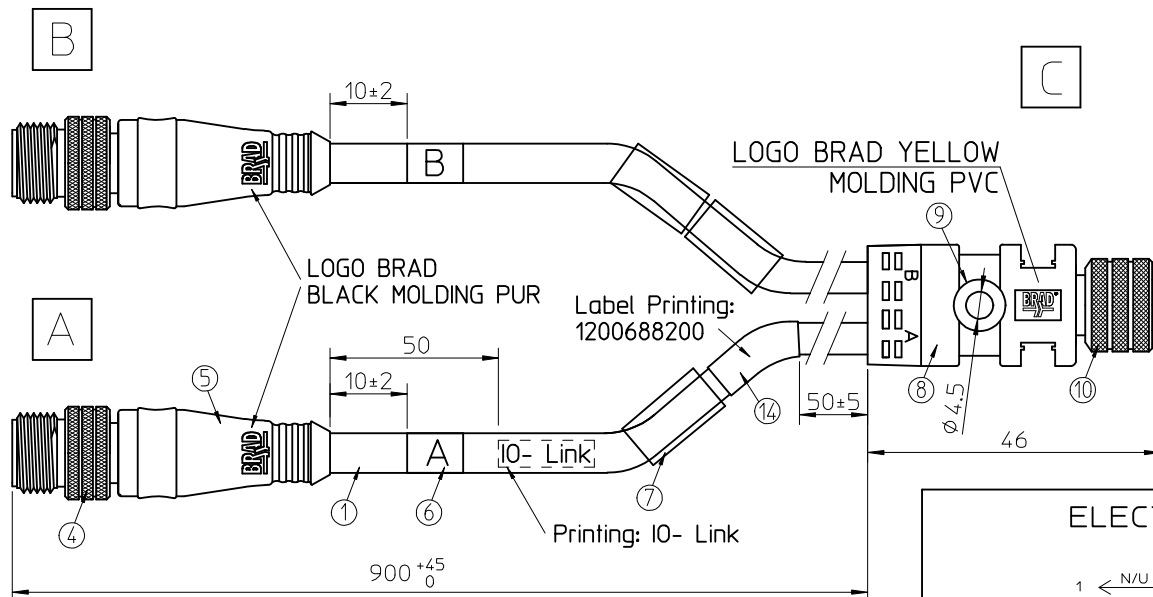


Cable data sheet

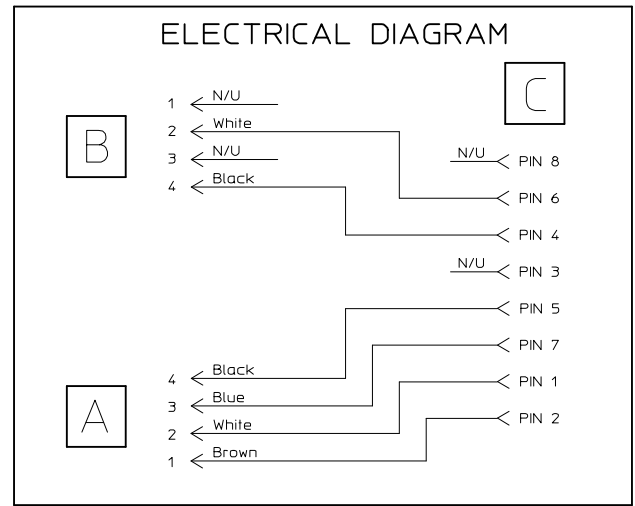
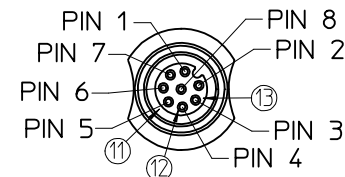
Conductors:
Material: Bare Copper
Insulation Compound: PVC
Section: 4x0.25mm²
Stranding: 32x0.1 mm
Jacket:
Compound: Outer PUR / Inner PVC
Color: Black
Diameter: 5.0 +0.3/-0.1mm
Temperature range (static): -30/+80°C
Temperature range (dynamic): -5/+80°C

Bill of Materials

ITEM	QTY.	DESCRIPTION	MATERIAL	FINISH
14	1	LABEL YELLOW	VINYL	-
13	1	INSERT 8 POLE FEMALE M12	PUR	-
12	8	CONTACT FEMALE	BRASS	SELECTIVE GOLD OVER NICKEL
11	1	ORING RED	FPM	-
10	1	COUPLING NUT FEMALE	BRASS	NICKEL PLATED
9	1	CENTRE SPACER-I.L.S.-YELLOW	PVC	-
8	-	MOLDING MATERIAL YELLOW	PVC	-
7	3	I/D CARRIER TRANSPARENT	PVC	-
6	2	LABEL MARKER	-	-
5	-	MOLDING MATERIAL BLACK	PUR	-
4	2	COUPLING NUT MALE	BRASS	NICKEL PLATED
3	2	INSERT 4 POLE MALE M12	PUR	-
2	8	CONTACT MALE	BRASS	SELECTIVE GOLD OVER NICKEL
1	-	CABLE 4x0.25mm ² BLACK OD=5.0mm	PUR/PVC	-



FACE VIEW
M12 FEMALE 8 POLE



Notes:

1. Dimensions without tolerance are referential.

Engineering No.: 1200688200

ORIGINAL RELEASE EC NO: IPG2016-0320 DRWN:APAWLAK01 2015/08/28 CHKD:FGAIK 2015/08/28 APPR:MIWASIECZKO 2015/08/31	QUALITY SYMBOLS ▽=0 ◻=0	GENERAL TOLERANCES (UNLESS SPECIFIED)		DIMENSION STYLE MM ONLY		SCALE -	DESIGN UNITS METRIC	THIRD ANGLE PROJECTION	
		mm	INCH	DRAWN BY APAWLAK01	DATE 2015/08/28	TITLE ILS-8P-FE/ST 2XMA-ST/ST-0.9M			
		4 PLACES ± --- ± ---	3 PLACES ± --- ± ---	CHECKED BY FGAIK	DATE 2015/08/28				
		2 PLACES ± --- ± ---	1 PLACE ± --- ± ---	APPROVED BY MIWASIECZKO	DATE 2015/08/31				
ANGULAR ± --- °		DRAFT WHERE APPLICABLE MUST REMAIN WITHIN DIMENSIONS		MATERIAL NO. 1200688200	DOCUMENT NO. SD-120068-020	SHEET NO. 1 OF 1			
				THIS DRAWING CONTAINS INFORMATION THAT IS PROPRIETARY TO MOLEX INCORPORATED AND SHOULD NOT BE USED WITHOUT WRITTEN PERMISSION					