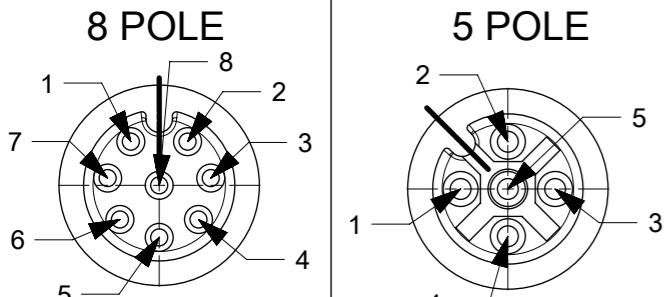
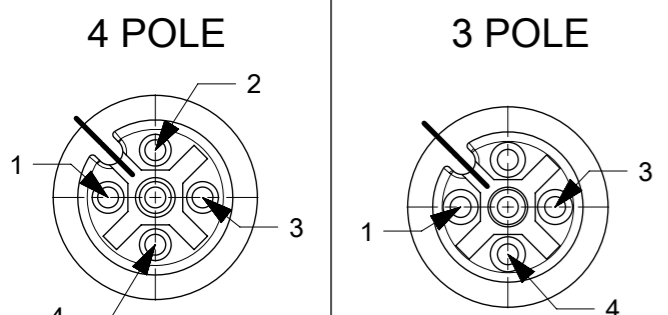


VIEWS FROM THE FRONT SIDE FEMALE



Pin	Wire color
1	WH
2	BN
3	GN
4	YE
5	GY
6	PK
7	BU
8	RD

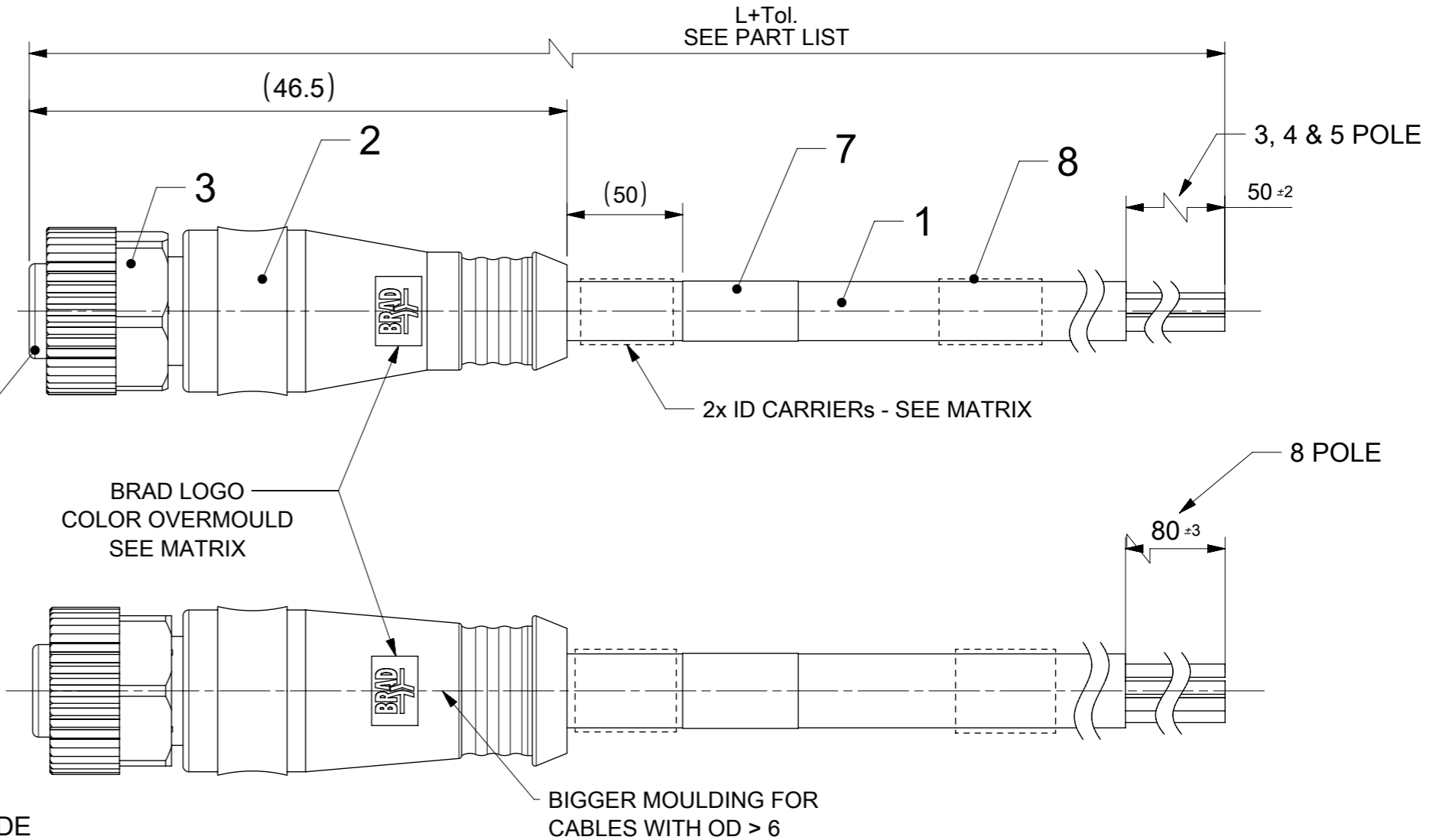
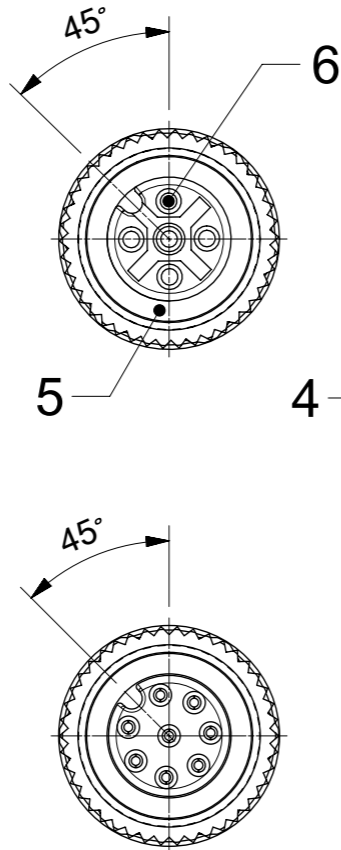
Pin	Wire color
1	BN
2	WH
3	BU
4	BK
5	GY OR GN/YE



Pin	Wire color
1	BN
2	WH
3	BU
4	BK

Pin	Wire color
1	BN
3	BU
4	BK

VIEWS FROM THE FRONT SIDE



NOTES:

TEMPERATURE RANGE : SEE CABLE LIST

RATED VOLTAGE: 3, 4 contacts : 250V

5 contacts : 60V

8 contacts : 30V

RATED CURRENT: 3, 4, 5 contacts : 4A

8 contacts : 2A

INSULATION RESISTANCE: 10⁸ Ω MIN.

MATING CYCLES: MIN. 100

ENVIRONMENTAL:PROTECTION: IP67 IN MATED AND LOCKED POSITION

BILL OF MATERIAL

ITEM	QTY.	DESCRIPTION	MATERIAL	FINISH/COLOR
8	0/2	I/D CARRIER	-	-
7	1	LABEL	VINYL	YELLOW
6	3/4/5/8	CONTACTS	BRASS	GOLD OVER Ni-PLATED
5	1	GASKET	FPM	RED
4	1	FEMALE INSERT	PUR	BLACK
3	1	COUPLING NUT	BRASS	Ni-PLATED
2	-	OVERMOULD	TPU	BLACK
1	-	CABLE	SEE CABLE LIST	SEE CABLE LIST

FUNCTIONAL SYMBOLS	THIS DRAWING CONTAINS INFORMATION THAT IS PROPRIETARY TO MOLEX ELECTRONIC TECHNOLOGIES, LLC AND SHOULD NOT BE USED WITHOUT WRITTEN PERMISSION	CURRENT REV DESC: NEW P/N ADDED																			
	<table border="1"> <tr> <th>FUNCTIONAL SYMBOLS</th> <th>DIMENSION UNITS</th> <th>SCALE</th> </tr> <tr> <td>▽/A = 0</td> <td>mm</td> <td>2:1</td> </tr> <tr> <td colspan="3">GENERAL TOLERANCES (UNLESS SPECIFIED)</td> </tr> <tr> <td>▽/E = 0</td> <td colspan="2">ANGULAR TOL ± 1.0 °</td> </tr> <tr> <td>▽/V = 0</td> <td colspan="2">4 PLACES ±</td> </tr> </table>	FUNCTIONAL SYMBOLS	DIMENSION UNITS			SCALE	▽/A = 0	mm	2:1	GENERAL TOLERANCES (UNLESS SPECIFIED)			▽/E = 0	ANGULAR TOL ± 1.0 °		▽/V = 0	4 PLACES ±		EC NO: 801104 DRWN: RSCHIEBER 2024/10/14 CHK'D: RSILLER 2024/10/14 APPR: RSILLER 2024/10/14		CSE M12 XP AC FE STR WSOR XM SE UNSH BK
FUNCTIONAL SYMBOLS	DIMENSION UNITS	SCALE																			
▽/A = 0	mm	2:1																			
GENERAL TOLERANCES (UNLESS SPECIFIED)																					
▽/E = 0	ANGULAR TOL ± 1.0 °																				
▽/V = 0	4 PLACES ±																				
DIVISIONAL SYMBOLS	<table border="1"> <tr> <th>DIVISIONAL SYMBOLS</th> <th>PLACES</th> <th>TOLERANCE</th> </tr> <tr> <td>3 PLACES ±</td> <td>±</td> <td></td> </tr> <tr> <td>2 PLACES ±</td> <td>±</td> <td>0.05</td> </tr> <tr> <td>1 PLACE ±</td> <td>±</td> <td>0.3</td> </tr> <tr> <td>0 PLACES ±</td> <td>±</td> <td>0.5</td> </tr> </table>		DIVISIONAL SYMBOLS	PLACES	TOLERANCE	3 PLACES ±	±		2 PLACES ±	±	0.05	1 PLACE ±	±	0.3	0 PLACES ±	±	0.5	INITIAL REVISION: DRWN: SSM 2021/12/16 APPR: RSILLER 2022/02/28		PRODUCT CUSTOMER DRAWING DOCUMENT NUMBER: 1200652251 DOC TYPE: PSD DOC PART: 000 REVISION: B2	
	DIVISIONAL SYMBOLS	PLACES	TOLERANCE																		
3 PLACES ±	±																				
2 PLACES ±	±	0.05																			
1 PLACE ±	±	0.3																			
0 PLACES ±	±	0.5																			
DRAFT WHERE APPLICABLE MUST REMAIN WITHIN DIMENSIONS		THIRD ANGLE PROJECTION	DRAWING: A3-SIZE	SERIES: 120065	MATERIAL NUMBER: SEE PART LIST CUSTOMER: GENERAL MARKET SHEET NUMBER: 1 OF 3																

PART NO MATRIX

8 0 X 0 0 0 B X X X X X X X X

80 = M12x1
SINGLE ENDED

POLES:
3 = 3 POLES
4 = 4 POLES
5 = 5 POLES
8 = 8 POLES

HEADER:
000 = FEMALE STRAIGHT

CABLE:
B30 = 0,34mm², TPU BLACK
B33 = 0,34mm², TPU GREY
B36 = 0,34mm², TPU ORANGE
B39 = 0,75mm², TPU BLACK
B41 = 0,25mm², TPU BLACK
B42 = 0,34mm², TPU BLACK
B49 = 0,25mm², TPU ORANGE
B55 = 0,34mm², TPU YELLOW

UNIT:
M = METER
C = CENTIMETER
T = 10 x METER

LENGTH:
EXAMPLE:
010 = 1 m
050 = 5 m
100 = 10 m


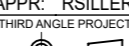
OVERMOLD COLOR:
BLANK (STANDARD) = BK
A = GY, G = BK, Y = YE, R = RD
COUPLING NUT:
BLANK (STANDARD)
= KNURLED/HEX BRASS, Ni PLATED
5 = KNURLED DERLIN
7 = KNURLED BRASS Ni PLATED,
TEFLON COATED
H = 2x ID CARRIERS
ALWAYS FOR CABLES B36)

CABLE LIST

CABLE TYPE	NO. OF WIRES	CROSS SECTION	CABLE JACKET	UL 21215	CSA	ISO6722	ISO14572	STATIC: TEMP. / BENDING RADIUS	DYNAMIC: TEMP. / BENDING RADIUS	DRAG CHAIN	OTHER
B30	3 / 4 / 5	0.34mm ²	TPU Black	YES	YES	YES	YES	-40°C to +90°C 5xO.D.	-25°C to +80°C 7.5xO.D.	up to 5 000 000 cycles at temp 20°C	WELD SLAG RESISTANCE
B41	8	0.25mm ²	TPU Black								
B42	5	0.34mm ²	TPU Black								
B33	4 / 5	0.34mm ²	TPU Gray								
B55	4 / 5	0.34mm ²	TPU Yellow								
B36	4 / 5	0.34mm ²	TPU Orange								
B39	5	0.34mm ²	TPU Yellow								

CABLE LENGTH TOLERANCES

LENGTH	TOLERANCE
0 m - 1 m	+40 mm
>1 m - 5 m	+60 mm
>5 m - 10 m	+80 mm
>10 m - 20 m	+140 mm
>20 m - 30 m	+160 mm
>30 m	+1% length

FUNCTIONAL SYMBOLS FA = 0 FE = 0 FE = 0	THIS DRAWING CONTAINS INFORMATION THAT IS PROPRIETARY TO MOLEX ELECTRONIC TECHNOLOGIES, LLC AND SHOULD NOT BE USED WITHOUT WRITTEN PERMISSION		CURRENT REV DESC: NEW P/N ADDED		 CSE M12 XP AC FE STR WSOR XM SE UNSH BK PRODUCT CUSTOMER DRAWING
	DIMENSION UNITS	SCALE	EC NO: 801104		
	GENERAL TOLERANCES (UNLESS SPECIFIED)		DRWN: RSCHIEBER 2024/10/14		
	ANGULAR TOL ± 1.0°		CHK'D: RSILLER 2024/10/14		
DIVISIONAL SYMBOLS	4 PLACES ±	APPR: RSILLER 2024/10/14		DOCUMENT NUMBER	DOC TYPE
	3 PLACES ±	INITIAL REVISION:		1200652251	PSD
	2 PLACES ± 0.05	DRWN: SSM 2021/12/16		DOC PART	REVISION
	1 PLACE ± 0.3	APPR: RSILLER 2022/02/28		000	B2
0 PLACES ± 0.5	DRAFT WHERE APPLICABLE MUST REMAIN WITHIN DIMENSIONS		SHEET NUMBER	2 OF 3	
THIRD ANGLE PROJECTION		DRAWING	SERIES	MATERIAL NUMBER	CUSTOMER
		A3-SIZE	120065	SEE PART LIST	GENERAL MARKET


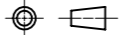
PART LIST

MOLEX PN	ENGINEERING No	L [mm]
3P CABLE B30		
1200652247	803000B30M010	1000
1200652248	803000B30M020	2000
1200652249	803000B30M050	5000
1200652250	803000B30M100	10000
1200659784	803000B30M200	20000
4P CABLE B30		
1200652251	804000B30M010	1000
1200652388	804000B30M010R	1000
1200657364	804000B30M012	1200
1200652252	804000B30M020	2000
1200659466	804000B30M030	3000
1200659639	804000B30M030R	3000
1200652253	804000B30M050	5000
1200659805	804000B30M075	7500
1200659788	804000B30M085	8500
1200659806	804000B30M098	9800
1200652254	804000B30M100	10000
1200659400	804000B30M150	15000
1200659467	804000B30M200	20000
1200659468	804000B30M250	25000
1200659469	804000B30M300	30000
5P CABLE B30		
1200659963	805000B30M006	600
1200659518	805000B30M010	1000
1200659519	805000B30M020	2000
1200659984	805000B30M0207	2000
1200656650	805000B30M030	3000
1200659520	805000B30M050	5000
1200659521	805000B30M100	10000
1200656214	805000B30M150	15000
1200656483	805000B30M200	20000

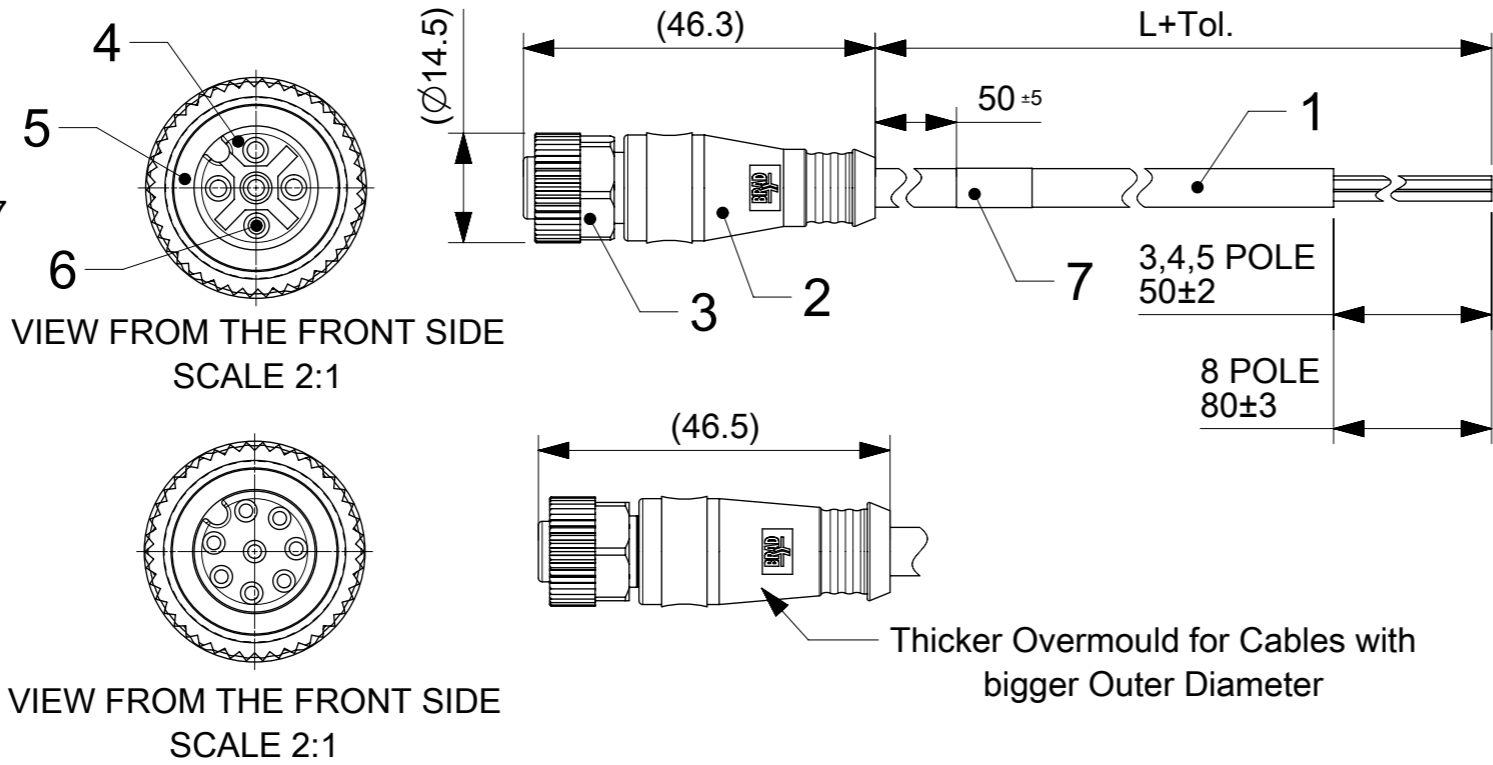
MOLEX PN	ENGINEERING No	L [mm]
4P CABLE B33		
1200659966	804000B33M005	500
1200656515	804000B33M005A	500
1200659967	804000B33M010	1000
1200656516	804000B33M010A	1000
1200659456	804000B33M020	2000
1200656517	804000B33M020A	2000
1200659968	804000B33M030	3000
1200656518	804000B33M030A	3000
1200659969	804000B33M040	4000
1200659970	804000B33M050	5000
1200656519	804000B33M050A	5000
1200659461	804000B33M100	10000
1200656520	804000B33M100A	10000
1200656605	804000B33M150A	15000
1200656606	804000B33M200A	20000
1200657125	804000B33M300A	30000
1200657126	804000B33M400A	40000
1200657127	804000B33M500A	50000
1200657128	804000B33M700A	70000
5P CABLE B33		
1200657176	805000B33M005A	500
1200656643	805000B33M010A	1000
1200659457	805000B33M020	2000
1200656644	805000B33M020A	2000
1200656645	805000B33M030A	3000
1200656646	805000B33M050A	5000
1200659462	805000B33M100	10000
1200656647	805000B33M100A	10000
1200656648	805000B33M150A	15000
1200656649	805000B33M200A	20000
1200657177	805000B33M300A	30000
1200657178	805000B33M400A	40000
1200657179	805000B33M500A	50000

MOLEX PN	ENGINEERING No	L [mm]
4P CABLE B36		
1200656851	804000B36M0107Y	1000
1200656388	804000B36M0207H	2000
1200659429	804000B36M0207Y	2000
1200656389	804000B36M0507H	5000
1200659430	804000B36M0507Y	5000
1200656390	804000B36M1007H	10000
1200659431	804000B36M1007Y	10000
1200656550	804000B36M1507Y	15000
1200656551	804000B36M2007Y	20000
5P CABLE B36		
1200656835	805000B36M1007Y	10000
5P CABLE B39		
1200656042	805000B39M050	5000
5P CABLE B42		
1200656062	805000B42M005	500
1200652255	805000B42M010	1000
1200652256	805000B42M020	2000
1200652257	805000B42M050	5000
1200652258	805000B42M100	10000
1200659543	805000B42M200	20000
1200659544	805000B42M300	30000
8P CABLE B41		
1200652306	808000B41M010	1000
1200652393	808000B41M010R	1000
1200659458	808000B41M020	2000
1200659777	808000B41M030	3000
1200652308	808000B41M050	5000
1200659463	808000B41M100	10000
1200656044	808000B41M150	15000
1200659734	808000B41M200	20000
1200656485	808000B41M250	25000

MOLEX PN	ENGINEERING No	L [mm]
4P CABLE B55		
1200656620	804000B55M010Y	1000
1200656621	804000B55M020Y	2000
1200656622	804000B55M030Y	3000
1200656623	804000B55M050Y	5000
1200656624	804000B55M100Y	10000
1200656625	804000B55M150Y	15000
1200656626	804000B55M200Y	20000
5P CABLE B55		
1200656651	805000B55M010Y	1000
1200656652	805000B55M020Y	2000
1200656653	805000B55M030Y	3000
1200656654	805000B55M050Y	5000
1200656655	805000B55M100Y	10000
1200656656	805000B55M150Y	15000
1200656657	805000B55M200Y	20000

FUNCTIONAL SYMBOLS	THIS DRAWING CONTAINS INFORMATION THAT IS PROPRIETARY TO MOLEX ELECTRONIC TECHNOLOGIES, LLC AND SHOULD NOT BE USED WITHOUT WRITTEN PERMISSION		CURRENT REV DESC: NEW P/N ADDED				
	$\sqrt{A} = 0$ $\sqrt{E} = 0$ $\sqrt{P} = 0$	DIMENSION UNITS: mm SCALE: 1:1					
DIVISIONAL SYMBOLS	GENERAL TOLERANCES (UNLESS SPECIFIED)		EC NO: 801104		CSE M12 XP AC FE STR WSOR XM SE UNSH BK		
	ANGULAR TOL $\pm 1.0^\circ$		DRWN: RSCHIEBER 2024/10/14				
4 PLACES \pm		3 PLACES \pm		PRODUCT CUSTOMER DRAWING			
2 PLACES ± 0.05		APPR: RSILLER 2024/10/14		DOCUMENT NUMBER			
1 PLACE ± 0.3		INITIAL REVISION:		1200652251			
0 PLACES ± 0.5		DRWN: SSM 2021/12/16		DOC TYPE			
DRAFT WHERE APPLICABLE MUST REMAIN WITHIN DIMENSIONS		APPR: RSILLER 2022/02/28		DOC PART			
THIRD ANGLE PROJECTION		DRAWING		REVISION			
		A3-SIZE		B2			
SERIES		MATERIAL NUMBER		SHEET NUMBER			
120065		GENERAL MARKET		3 OF 3			

NOTES:
 RATED VOLTAGE:
 3, 4 contacts 250V
 5 contacts 60V
 8 contacts 30V
 RATED CURRENT:
 3, 4, 5 contacts 4A
 8 contacts 2A
 PROTECTION CLASS: IP 67



CONTACTS POSITION FRONT VIEW:

	3 CONTACTS	4 CONTACTS	5 CONTACTS	8 CONTACTS																																																
FEMALE																																																				
CONNECTIONS	<table border="1"> <tr><th>PIN</th><th>WIRE</th></tr> <tr><td>1</td><td>BROWN</td></tr> <tr><td>3</td><td>BLUE</td></tr> <tr><td>4</td><td>BLACK</td></tr> </table>	PIN	WIRE	1	BROWN	3	BLUE	4	BLACK	<table border="1"> <tr><th>PIN</th><th>WIRE</th></tr> <tr><td>1</td><td>BROWN</td></tr> <tr><td>2</td><td>WHITE</td></tr> <tr><td>3</td><td>BLUE</td></tr> <tr><td>4</td><td>BLACK</td></tr> </table>	PIN	WIRE	1	BROWN	2	WHITE	3	BLUE	4	BLACK	<table border="1"> <tr><th>PIN</th><th>WIRE</th></tr> <tr><td>1</td><td>BROWN</td></tr> <tr><td>2</td><td>WHITE</td></tr> <tr><td>3</td><td>BLUE</td></tr> <tr><td>4</td><td>BLACK</td></tr> <tr><td>5</td><td>GREY OR GREEN/YELLOW</td></tr> </table>	PIN	WIRE	1	BROWN	2	WHITE	3	BLUE	4	BLACK	5	GREY OR GREEN/YELLOW	<table border="1"> <tr><th>PIN</th><th>WIRE</th></tr> <tr><td>1</td><td>WHITE</td></tr> <tr><td>2</td><td>BROWN</td></tr> <tr><td>3</td><td>GREEN</td></tr> <tr><td>4</td><td>YELLOW</td></tr> <tr><td>5</td><td>GREY</td></tr> <tr><td>6</td><td>PINK</td></tr> <tr><td>7</td><td>BLUE</td></tr> <tr><td>8</td><td>RED</td></tr> </table>	PIN	WIRE	1	WHITE	2	BROWN	3	GREEN	4	YELLOW	5	GREY	6	PINK	7	BLUE	8	RED
PIN	WIRE																																																			
1	BROWN																																																			
3	BLUE																																																			
4	BLACK																																																			
PIN	WIRE																																																			
1	BROWN																																																			
2	WHITE																																																			
3	BLUE																																																			
4	BLACK																																																			
PIN	WIRE																																																			
1	BROWN																																																			
2	WHITE																																																			
3	BLUE																																																			
4	BLACK																																																			
5	GREY OR GREEN/YELLOW																																																			
PIN	WIRE																																																			
1	WHITE																																																			
2	BROWN																																																			
3	GREEN																																																			
4	YELLOW																																																			
5	GREY																																																			
6	PINK																																																			
7	BLUE																																																			
8	RED																																																			

FOR OPTION SEE - NUMERICAL CODE - ON SHEET 2

ITEM	QTY.	DESCRIPTION	MATERIAL	FINISH
7	1	LABEL YE	VINYL	-
6	3/4/5/8	CONTACT FE	BRASS	GOLD OVER Ni-PLATED
5	1	GASKET RD	FPM	-
4	1	INSERT M12 FE XP BK	PUR	-
3	1	COUPLING NUT M12 FE	SEE SHEET 2	SEE SHEET 2
2	-	OVERMOULDING	SEE SHEET 2	SEE SHEET 2
1	-	CABLE	SEE SHEET 2	-

FUNCTIONAL SYMBOLS $\nabla_A = 0$ $\nabla_E = 0$ $\nabla_V = 0$	THIS DRAWING CONTAINS INFORMATION THAT IS PROPRIETARY TO MOLEX ELECTRONIC TECHNOLOGIES, LLC AND SHOULD NOT BE USED WITHOUT WRITTEN PERMISSION	CURRENT REV DESC: STANDARDIZATION				
	DIMENSION UNITS: mm	SCALE: 1:1	CSE M12 XP AC FE STR WSOR XM SE UNSH			
	GENERAL TOLERANCES (UNLESS SPECIFIED)			EC NO: 681756		
	ANGULAR TOL ± °			DRWN: MKOWALCZYK01 2021/10/18		
4 PLACES ±			CHK'D: ALEKSP3 2021/10/18			
3 PLACES ±			APPR: KMARCINIAK01 2021/10/18			
2 PLACES ±			INITIAL REVISION:			
1 PLACE ±			DRWN: AKONDRACIUK 2016/11/26			
0 PLACES ±			APPR: MIWASIECZKO 2016/12/06			
DRAFT WHERE APPLICABLE MUST REMAIN WITHIN DIMENSIONS			THIRD ANGLE PROJECTION	DRAWING: A3-SIZE	SERIES: 120065	DOCUMENT NUMBER: 1200652251
						DOC TYPE: PSD
						DOC PART: 00P
						REVISION: B2
						SHEET NUMBER: 1 OF 2

ENGINEERING NO - NUMERICAL CODE (Available parts see PART LIST table. Other parts available upon request).

8 0 X 0 0 0 B X X M X X X X

88 = M12x1
SINGLE ENDED

POLES:
3 = 3 POLES
4 = 4 POLES
5 = 5 POLES
8 = 8 POLES

HEADER:
000 = PLUG FEMALE STRAIRIGHT

CABLE TYPE:
SEE TABLE

UNIT:
M = METER

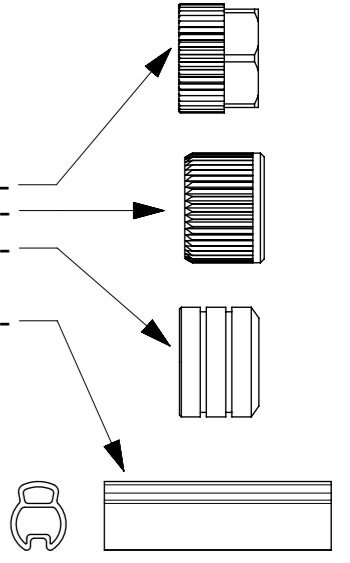
LENGTH:
EXAMPLE:
010 = 1 m
050 = 5 m
100 = 10 m

OPTIONS

Overmold color:
Blank (Standard)=Black
A=Grey / G=Black / Y=Yellow / R=Red

Coupling Nut:
Blank (Standard)=Knurled/Hex Brass, Ni Plated
5=Knurled Derlin
7=Knurled Brass Ni Plated, Teflon Coated

H= 2 pcs. of I/D Carrier PVC Transparent
(Cables B36 always with
2 pcs. I/D Carrier)



CABLE INFORMATION (for more information see Cable Data Sheet).

CABLE TYPE	NO. OF WIRES	CROSS SECTION	CABLE JACKET	UL	CSA	STATIC: TEMP. / BENDING RADIUS	DYNAMIC: TEMP. / BENDING RADIUS	DRAG CHAIN: TEMP. / BENDING RADIUS	DRAG CHAIN	CABLE SPEC. DRAWING
B30	3 / 4 / 5	0.34mm ²	TPU Black	UL 21215/758	C22.2 I/II A/B 80°/600V	-40°C to +90°C 5xO.D.	-25°C to +80°C 7.5xO.D.	-5°C to +60°C 7.5xO.D.	up to 5 000 000 cycles at temp 20°C	SD-120209-001
B33	4 / 5	0.34mm ²	TPU Gray							SD-120209-001
B36	4 / 5	0.34mm ²	TPU Orange							SD-120209-001
B39	5	0.75mm ²	TPU Gray							n/a
B41	8	0.25mm ²	TPU Black							SD-120209-006
B42	5	0.34mm ²	TPU Black							SD-120209-001
B49	8	0.25mm ²	TPU Orange							SD-120209-006
B55	3 / 4 / 5	0.34mm ²	TPU Yellow							n/a

OVER	UP TO AND INCLUDING	TOLERANCE
0	1000	+40 0
1000	5000	+60 0
5000	10000	+80 0
10000	20000	+140 0
20000	30000	+160 0
30000	>	+1% OF LENGTH

THIS DRAWING CONTAINS INFORMATION THAT IS PROPRIETARY TO MOLEX ELECTRONIC TECHNOLOGIES, LLC AND SHOULD NOT BE USED WITHOUT WRITTEN PERMISSION

FUNCTIONAL SYMBOLS: $\nabla/A = 0$, $\nabla/E = 0$, $\nabla/P = 0$

DIVISIONAL SYMBOLS: 4 PLACES \pm , 3 PLACES \pm , 2 PLACES \pm , 1 PLACE \pm , 0 PLACES \pm

THIS DRAWING CONTAINS INFORMATION THAT IS PROPRIETARY TO MOLEX ELECTRONIC TECHNOLOGIES, LLC AND SHOULD NOT BE USED WITHOUT WRITTEN PERMISSION

CURRENT REV DESC: STANDARDIZATION

EC NO: 681756
DRWN: MKOWALCZYK01 2021/10/18
CHK'D: ALEKSP3 2021/10/18
APPR: KMARCINIAK01 2021/10/18

INITIAL REVISION:
DRWN: AKONDRACIUK 2016/11/26
APPR: MIWASIECZKO 2016/12/06

GENERAL TOLERANCES (UNLESS SPECIFIED)
ANGULAR TOL \pm °

DRAFT WHERE APPLICABLE MUST REMAIN WITHIN DIMENSIONS

THIRD ANGLE PROJECTION

DRAWING: A3-SIZE
SERIES: 120065
MATERIAL NUMBER: SEE PART LIST
CUSTOMER: SEE PART LIST

DOCUMENT NUMBER: 1200652251
DOC TYPE: PSD
DOC PART: 00P
REVISION: B2

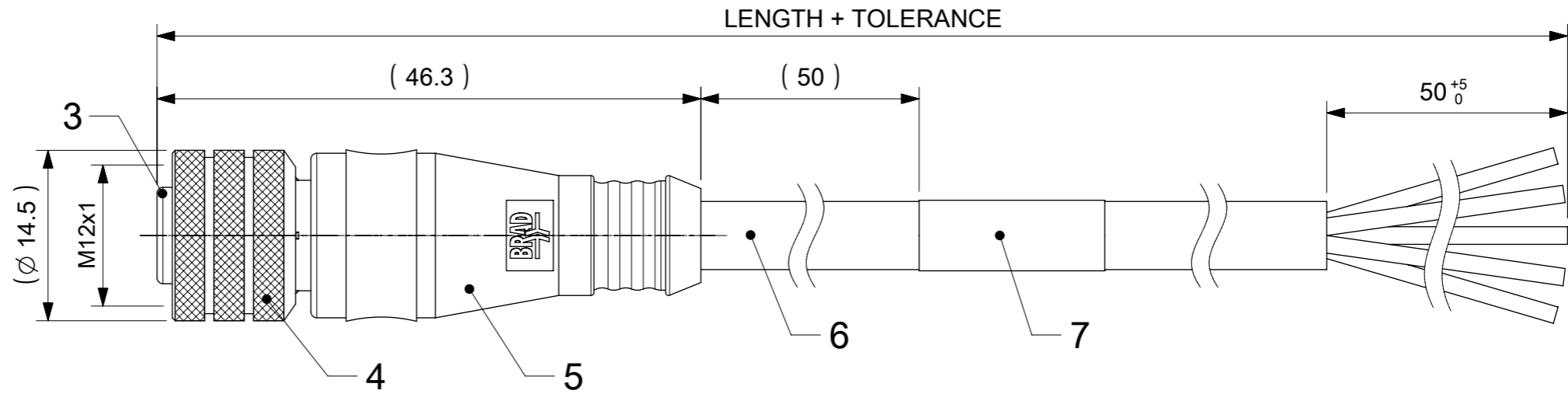
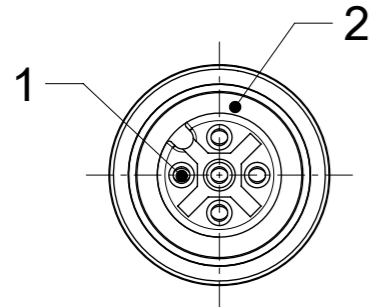
SHEET NUMBER: 2 OF 2

molex

CSE M12 XP AC FE STR WSOR XM SE UNSH

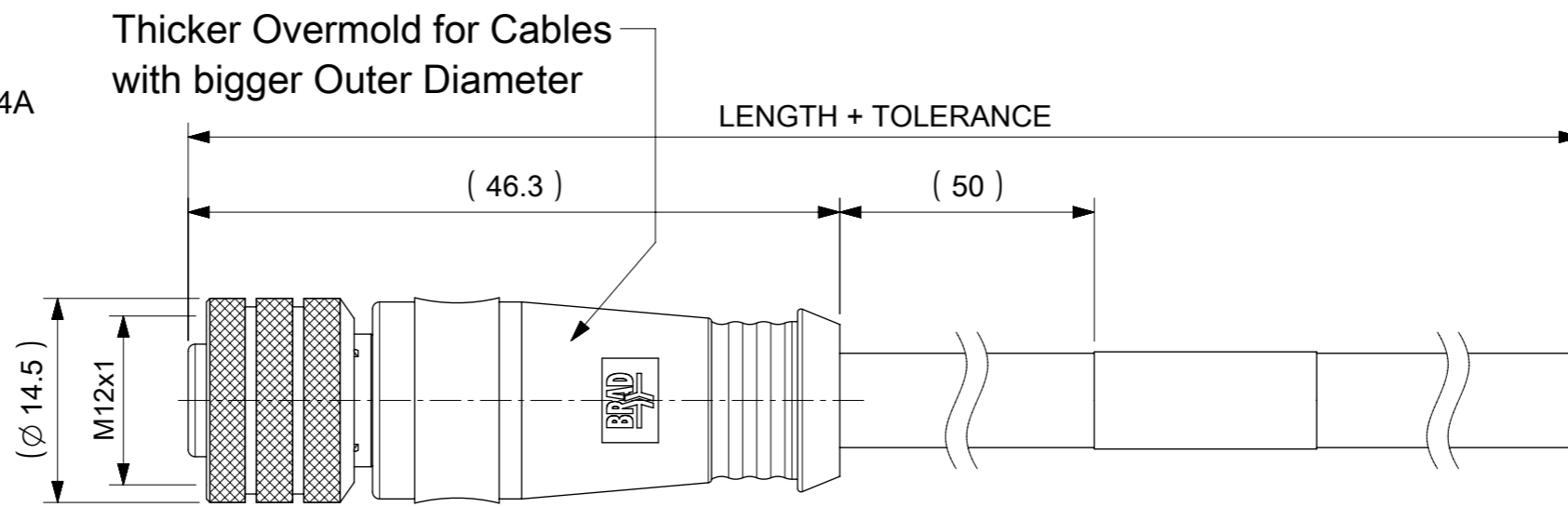
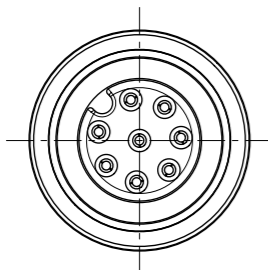
PRODUCT CUSTOMER DRAWING

FEMALE PLUG M12 STRAIGHT



NOTES:

RATED VOLTAGE: 3, 4 contacts 250V
 5 contacts 60V
 8 contacts 30V
 RATED CURRENT: 3, 4, 5 contacts 4A
 8 contacts 2A
 PROTECTION CLASS: IP 67
 TEMPERATURE: -25°C / +85°C



For Shielded Cables testing ends are cut off after test

CONTACTS POSITION FRONT VIEW:

3 CONTACTS		4 CONTACTS		5 CONTACTS		8 CONTACTS	
PIN	WIRE	PIN	WIRE	PIN	WIRE	PIN	WIRE
1	BROWN	1	BROWN	1	BROWN	1	WHITE
2	---	2	WHITE	2	WHITE	2	BROWN
3	BLUE	3	BLUE	3	BLUE	3	GREEN
4	BLACK OR YELLOW/GREEN	4	BLACK	4	BLACK	4	YELLOW
5	---	5	---	5	GREY OR YELLOW/GREEN	5	GREY
						6	PINK
						7	BLUE
						8	RED

FOR OPTIONS SEE - NUMERICAL CODE - ON SHEET 2

ITEM	QTY.	DESCRIPTION	MATERIAL	FINISH
7	1	LABEL YELLOW	VINYL	---
	-	PRINTING FOR CABLES lxx	---	---
6	-	CABLE	SEE SHEET 2	---
5	-	OVERMOLDING BLACK	TPU	---
4	1	COUPLING NUT FEMALE	BRASS	NICKEL
3	1	INSERT FEMALE BLACK	PUR	---
2	1	ORING RED	FPM	---
1	3 / 4 / 5 / 8	CONTACT M12 FEMALE	BRASS	SELECTIVE Au OVER Ni

THIS DRAWING CONTAINS INFORMATION THAT IS PROPRIETARY TO MOLEX ELECTRONIC TECHNOLOGIES, LLC AND SHOULD NOT BE USED WITHOUT WRITTEN PERMISSION

DIMENSION UNITS: mm SCALE: 2:1

GENERAL TOLERANCES (UNLESS SPECIFIED): ANGULAR TOL ± 1.0°

4 PLACES ± 0.15
 3 PLACES ± 0.10
 2 PLACES ± 0.05
 1 PLACE ± 0.3
 0 PLACES ± 0.5

EC NO: 775470
 DRWN: AKABADI 2023/10/22
 CHK'D: THAERDT 2024/01/30
 APPR: THAERDT 2024/01/30

INITIAL REVISION:
 DRWN: JMARSZALEK 2016/01/12
 APPR: RSILLER 2016/04/08

DOCUMENT NUMBER: 1200658605
 DOC TYPE: PSD
 DOC PART: 000
 REVISION: A7

CSE M12 XP AC FE STR XM SE UNSH

PRODUCT CUSTOMER DRAWING

DRAFT WHERE APPLICABLE MUST REMAIN WITHIN DIMENSIONS

THIRD ANGLE PROJECTION

DRAWING: A3-SIZE
 SERIES: 120065
 MATERIAL NUMBER: SEE PART LIST
 CUSTOMER: GENERAL MARKET
 SHEET NUMBER: 1 OF 4

CODING REQUIRED TO IEC 61076-2-101

DOCUMENT STATUS	P1	RELEASE DATE	2024/01/30	10:40:43
-----------------	----	--------------	------------	----------

ENGINEERING NO. - NUMERICAL CODE (Available parts see PART LIST table. Others on request).

8 0 X 0 0 0 X X X X X X X X X

80=M12x1
Single ended

Contacts:
3=3 Contacts
4=4 Contacts
5=5 Contacts
8=8 Contacts

Heads style:
000=Plug Female Straight

Cable type: See Table

Units:
M=Meter
C=Centimeter

Length
Examples:
005=0.5 unit
010=1 unit
100=10 units

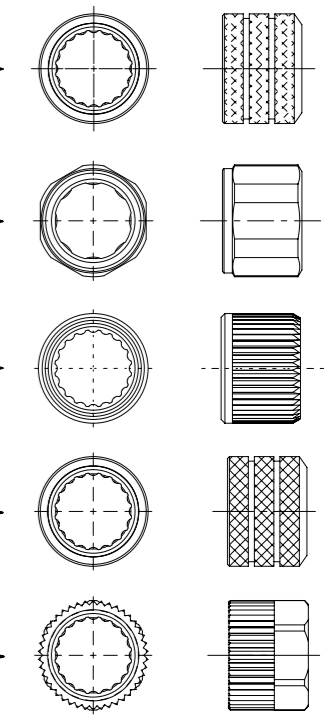
Options

Overmold color:
Blank (Standard)=Black TPU
Blank=Yellow TPU for cables A09,S19,S20,S26
Blank=Yellow TPE-E for cables K03,K05
A=Grey / G=Black / Y=Yellow

Coupling Nut:
Blank (Standard) & 3=Knurled Brass Ni Plated
1=Hexagonal Stainless steel
5=Knurled Derlin
7=Knurled Brass Ni Plated, Teflon Coated
Blank=7 for cables I20, I26, K03, K05, P82, S26
9=Knurled / Hexagonal Brass Ni Plated SW13

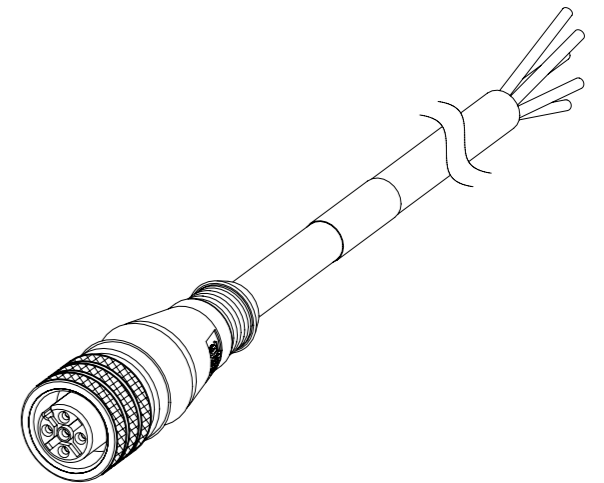
H= 2 pcs. of I/D Carrier
PVC Transparent
(Cables Ixx & P82 always
with 2 pcs. of I/D Carrier
even if no H in
Engineering No.)

COUPLING NUTS



CABLE INFORMATION (for more information see Cable Data Sheet).

CABLE TYPE	NO. OF WIRES	CROSS SECTION	CABLE JACKET	UL	CSA	STATIC: TEMP. / BENDING RADIUS	DYNAMIC: TEMP. / BENDING RADIUS	DRAG CHAIN	SHIELD
E13	3	18AWG	PVC YELLOW	UL 2661/1731	I/II A/B 80°C/300V	-	-	-	-
E52	3 / 4 / 8	0.34mm ²	PVC GREY	-	-	-30°C to +70°C	-5°C to +70°C	-	-
E63	5	0.34mm ²	PVC GREY	-	-	-30°C to +70°C	-5°C to +70°C	-	YES
H12	4	0.50mm ²	PUR BLACK LS0H	UL 21198/10493	C22.2 I/II A/B 80°C/300V	-50°C to +80°C, 5xO.D.	-25°C to +80°C, 10xO.D.	2 000 000, Temp max 60°C	-
H69	4	0.20mm ²	PUR GREY LS0H	-	-	-	-	-	-
I02	3 / 4 / 8	0.25mm ²	PVC CEI GREY	-	-	-30°C to +70°C	-5°C to +70°C	-	-
I03	3 / 4 / 5	0.34mm ²	PVC CEI GREY	-	-	-30°C to +70°C	-5°C to +70°C	-	-
I04	4	0.50mm ²	PVC CEI GREY	-	-	-25°C to +70°C	-5°C to +70°C	-	-
I20	3 / 4	0.34mm ²	PVC CEI GREY	-	-	-30°C to +70°C	-5°C to +70°C	-	YES
I26	5	0.34mm ²	PVC CEI GREY	-	-	-30°C to +70°C	-5°C to +70°C	-	-
K03	4 / 5	0.34mm ²	TPE YELLOW	UL JEC 60332-1 or PLCT	I/II 90°C/300V	-	-	-	-
K05	3 / 4 / 5	0.34mm ²	TPE YELLOW	UL ITC E195601 or PLC	I/II A/B 90°C/300V	-	-	-	-
P04	4	0.50mm ²	PUR BLACK	-	-	-40°C to +90°C, 7.5xO.D.	-15°C to +90°C, 12.5xO.D.	-	-
P12	3 / 5	0.50mm ²	PUR BLACK	-	-	-30°C to +90°C	-5°C to +90°C	-	-
P19	8	0.25mm ²	PUR BLACK	-	-	-40°C to +90°C, 7.5xO.D.	-15°C to +90°C, 12.5xO.D.	2 000 000 cycles, 15xO.D.	YES
P20	3 / 4 / 5	0.34mm ²	PUR BLACK LS0H	-	-	-30°C to +80°C	-	-	YES
P82	3 / 4 / 5	0.34mm ²	PUR IRR ORANGE	-	-	-50°C to +105°C, 5xO.D.	-40°C to +105°C, 7.5xO.D.	-	-
S19	8	0.25mm ²	PVC YELLOW	UL 2661/1569	C22.2 II A 105°C/300V	-30°C to +105°C, 10xO.D.	-15°C to +105°C, 15xO.D.	-	YES
S20	3 / 4 / 5	0.34mm ²	PVC YELLOW	UL 2661/1731	C22.2 II A 105°C/300V	-30°C to +105°C	-	-	YES
S26	5	0.34mm ²	PVC YELLOW	UL 2661/1731	C22.2 II A 105°C/300V	-30°C to +105°C	-	-	YES



SCALE 1:1

CABLE LENGTH TOLERANCES

OVER	UP TO AND INCLUDING	TOLERANCES
0	305mm	+19mm
305mm	915mm	+45mm
915mm	1830mm	+56mm
1830mm	3660mm	+89mm
3660mm	7320mm	+165mm
7320mm	14640mm	+317mm
14640mm	30500mm	+610mm
30500mm	>	+2% of finished length

THIS DRAWING CONTAINS INFORMATION THAT IS PROPRIETARY TO MOLEX ELECTRONIC TECHNOLOGIES, LLC AND SHOULD NOT BE USED WITHOUT WRITTEN PERMISSION

DIMENSION UNITS	SCALE	CURRENT REV DESC: ADDED NEW P/N: 1200651287; 1200651293; 1200651300; 1200652022	molex		
mm	1:1				
GENERAL TOLERANCES (UNLESS SPECIFIED)			CSE M12 XP AC FE STR XM SE UNSH		
ANGULAR TOL	± 1.0°	EC NO: 775470	PRODUCT CUSTOMER DRAWING		
4 PLACES	±	DRWN: AKABADI 2023/10/22	DOCUMENT NUMBER		
3 PLACES	±	CHK'D: THAERDT 2024/01/30	DOC TYPE DOC PART REVISION		
2 PLACES	± 0.05	APPR: THAERDT 2024/01/30	1200658605 PSD 000 A7		
1 PLACE	± 0.3	INITIAL REVISION:	MATERIAL NUMBER		
0 PLACES	± 0.5	DRWN: JMARSZALEK 2016/01/12	CUSTOMER		
		APPR: RSILLER 2016/04/08	SEE PART LIST GENERAL MARKET		
DRAFT WHERE APPLICABLE MUST REMAIN WITHIN DIMENSIONS		THIRD ANGLE PROJECTION	DRAWING	SERIES	SHEET NUMBER
			A3-SIZE	120065	2 OF 4

PART LIST


MOLEX P/N	ENGINEERING No.	L [mm]
3P CABLE E13		
1200658524	803000E13M030	3000
3P CABLE E52		
1200651767	803000E52M050A	5000
1200658293	803000E52M3001A	30000
4P CABLE E52		
1200064254	804000E52M010A	1000
1200651778	804000E52M050A	5000
1200651857	804000E52M100A	10000
1200060436	804000E52M200A	20000
1200061620	804000E52M3001A	30000
1200063819	804000E52K0011A	100000
8P CABLE E52		
1200657335	808000E52M005	500
1200658236	808000E52M020	2000
1200062049	808000E52M050	5000
1200659997	808000E52M100	10000
5P CABLE E63		
1200658015	805000E63M020A	2000
1200061936	805000E63M050A	5000
4P CABLE H12		
1200659593	804000H12M020	2000
1200659767	804000H12M0209	2000
1200659768	804000H12M0309	3000
1200659113	804000H12M050	5000
1200659769	804000H12M0509	5000
1200659271	804000H12M100	10000
1200659770	804000H12M1009	10000
3P CABLE H69		
1200062094	803000H69M050	5000
4P CABLE H69		
1200061680	804000H69M050	5000
1200658242	804000H69M300	30000
8P CABLE I02		
1200658677	808000I02M010	1000
1200658678	808000I02M020	2000
1200658679	808000I02M030	3000
1200658680	808000I02M040	4000
1200658681	808000I02M050	5000
1200658682	808000I02M100	10000

MOLEX P/N	ENGINEERING No.	L [mm]
3P CABLE I03		
1200060145	803000I03M020	2000
1200659119	803000I03M020Y	2000
1200658593	803000I03M040	4000
1200060030	803000I03M050	5000
1200659064	803000I03M050Y	5000
1200060148	803000I03M100	10000
4P CABLE I03		
1200658599	804000I03M010	1000
1200658701	804000I03M010G	1000
1200060452	804000I03M020	2000
1200658702	804000I03M020G	2000
1200659075	804000I03M020Y	2000
1200060454	804000I03M030	3000
1200658703	804000I03M030G	3000
1200659177	804000I03M030Y	3000
1200658600	804000I03M040	4000
1200658704	804000I03M040G	4000
1200060017	804000I03M050	5000
1200658705	804000I03M050G	5000
1200659060	804000I03M050Y	5000
1200063205	804000I03M060	6000
1200064230	804000I03M080	8000
1200060033	804000I03M100	10000
1200061970	804000I03M100A	10000
1200658706	804000I03M100G	10000
1200659065	804000I03M100Y	10000
1200061955	804000I03M200A	20000
1200061956	804000I03M300A	30000
1200061957	804000I03M400A	40000
5P CABLE I03		
1200658605	805000I03M010	1000
1200658283	805000I03M020	2000
1200060644	805000I03M030	3000
1200658606	805000I03M040	4000
1200062003	805000I03M050	5000
1200063824	805000I03M050G	5000
1200659085	805000I03M050Y	5000
1200060645	805000I03M100	10000
1200655025	805000I03M100G	10000
1200659371	805000I03M100Y	10000

MOLEX P/N	ENGINEERING No.	L [mm]
4P CABLE I04		
1200063562	804000I04M030	3000
1200659621	804000I04M050	5000
3P CABLE I20		
1200061559	803000I20M100	10000
1200659558	803000I20M100Y	10000
4P CABLE I20		
1200064164	804000I20M020	2000
1200658221	804000I20M050	5000
1200064161	804000I20M100	10000
1200658543	804000I20M150	15000
5P CABLE I26		
1200658817	805000I26M010	1000
1200061727	805000I26M050	5000
1200659116	805000I26M050Y	5000
1200062969	805000I26M100	10000
1200659090	805000I26M100Y	10000
4P CABLE K03		
1200652022	804000K03M006	600
1200651287	804000K03M010	1000
1200651293	804000K03M050	5000
1200651300	804000K03M100	10000
5P CABLE K03		
1200651367	805000K03M020	2000
1200651370	805000K03M050	5000
1200651373	805000K03M100	10000
3P CABLE K05		
1200651108	803000K05M020	2000
1200651110	803000K05M050	5000
4P CABLE K05		
1200651121	804000K05M020	2000
1200651122	804000K05M030	3000
1200651124	804000K05M050	5000
1200651126	804000K05M100	10000

NOTES:

* - Part No. with Yellow PVC overmolding

THIS DRAWING CONTAINS INFORMATION THAT IS PROPRIETARY TO MOLEX ELECTRONIC TECHNOLOGIES, LLC AND SHOULD NOT BE USED WITHOUT WRITTEN PERMISSION									
DIMENSION UNITS		SCALE		CURRENT REV DESC: ADDED NEW P/N: 1200651287; 1200651293; 1200651300; 1200652022					
mm		1:1		 CSE M12 XP AC FE STR XM SE UNSH PRODUCT CUSTOMER DRAWING					
GENERAL TOLERANCES (UNLESS SPECIFIED)									
ANGULAR TOL ± 1.0 °				EC NO: 775470		DRWN: AKABADI		2023/10/22	
4 PLACES		±		CHK'D: THAERDT		2024/01/30		APPR: THAERDT	
2 PLACES		± 0.05		INITIAL REVISION:		DRWN: JMARSZALEK		2016/01/12	
1 PLACE		± 0.3		APPR: RSILLER		2016/04/08		DOCUMENT NUMBER	
0 PLACES		± 0.5		DRAFT WHERE APPLICABLE MUST REMAIN WITHIN DIMENSIONS		THIRD ANGLE PROJECTION		DRAWING	
				A3-SIZE		SERIES		MATERIAL NUMBER	
						120065		CUSTOMER	
						SEE PART LIST		GENERAL MARKET	
								SHEET NUMBER	
								3 OF 4	

PART LIST

MOLEX P/N	ENGINEERING No.	L [mm]
4P CABLE P04		
1200063017	804000P04M0083	800
1200063114	804000P04M0163	1600
1200062364	804000P04M020G	2000
3P CABLE P12		
1200063141	803000P12M0033	300
5P CABLE P12		
1200063041	805000P12M0033	300
1200658086	805000P12M020	2000
1200064445	805000P12M023	2300
1200659393	805000P12M050	5000
1200062858	805000P12M100	10000
8P CABLE P19		
1200062765	808000P19M020	2000
1200062675	808000P19M030	3000
1200062676	808000P19M050	5000
1200655074	808000P19M060	6000
1200652019	808000P19M100	10000
1200658104	808000P19M150	15000

MOLEX P/N	ENGINEERING No.	L [mm]
4P CABLE P20		
1200064490	804000P20M020	2000
1200062656	804000P20M030	3000
1200062657	804000P20M050	5000
1200062604	804000P20M100	10000
1200062869	804000P20M150	15000
1200658282	804000P20M250	25000
5P CABLE P20		
1200063913	805000P20M003	300
1200659049	805000P20M050	5000
1200063035	805000P20M100	10000
1200659635	805000P20M300	30000
3P CABLE P82		
1200062754	803000P82M0047	400
1200062454	803000P82M0067	600
1200064073	803000P82M0107	1000
1200064256	803000P82M0207	2000
1200061240	803000P82M0507	5000
5P CABLE P82		
1200065005	805000P82M0207	2000
1200060715	805000P82M050	5000
1200658299	805000P82M100	10000
1200659026	805000P82M1007	10000
8P CABLE S19		
1200658256	808000S19M006	600
1200656198	808000S19M010	1000
1200656199	808000S19M020	2000
1200656200	808000S19M030	3000
1200656201	808000S19M050	5000
1200658972	808000S19M100	10000
1200868439	808000S19M150	15000
1200659183	808000S19M150H	15000
1200659175	808000S19M200H	20000

MOLEX P/N	ENGINEERING No.	L [mm]
3P CABLE S20		
1200063569	803000S20M003	300
1200060166	803000S20M010	1000
1200060167	803000S20M020	2000
1200060168	803000S20M030	3000
1200060170	803000S20M050	5000
1200659390	803000S20M070	7000
1200060171	803000S20M100	10000
1200060173	803000S20M150	15000
4P CABLE S20		
1200060469	804000S20M010	1000
1200062496	804000S20M010H	1000
1200060470	804000S20M020	2000
1200060471	804000S20M0201	2000 *
1200062268	804000S20M020H	2000
1200060472	804000S20M030	3000
1200062040	804000S20M030H	3000
1200060474	804000S20M050	5000
1200063859	804000S20M0501	5000 *
1200063182	804000S20M0501H	5000
1200062037	804000S20M050H	5000
1200060476	804000S20M100	10000
1200063409	804000S20M1001	10000 *
1200062363	804000S20M100H	10000
1200060478	804000S20M150	15000
1200655010	804000S20M150H	15000
1200063993	804000S20M200	20000
1200063684	804000S20M2001	20000 *
1200659376	804000S20M350	35000
5P CABLE S20		
1200658474	805000S20M020	2000
1200658230	805000S20M050	5000
5P CABLE S26		
1200658252	805000S26M020	2000
1200655003	805000S26M050	5000
1200655009	805000S26M100	10000
1200659989	805000S26M200	20000

NOTES:

* - Part No. with Yellow PVC overmolding

THIS DRAWING CONTAINS INFORMATION THAT IS PROPRIETARY TO MOLEX ELECTRONIC TECHNOLOGIES, LLC AND SHOULD NOT BE USED WITHOUT WRITTEN PERMISSION													
DIMENSION UNITS		SCALE		CURRENT REV DESC: ADDED NEW P/N: 1200651287; 1200651293; 1200651300; 1200652022				molex					
mm		1:1											
GENERAL TOLERANCES (UNLESS SPECIFIED)				EC NO: 775470 DRWN: AKABADI 2023/10/22 CHK'D: THAERDT 2024/01/30 APPR: THAERDT 2024/01/30 INITIAL REVISION: DRWN: JMARSZALEK 2016/01/12 APPR: RSILLER 2016/04/08				CSE M12 XP AC FE STR XM SE UNSH					
ANGULAR TOL ± 1.0 °								PRODUCT CUSTOMER DRAWING					
4 PLACES ±								DOCUMENT NUMBER		DOC TYPE		DOC PART	
3 PLACES ±								1200658605		PSD		000	
2 PLACES ± 0.05								REVISION		A7			
1 PLACE ± 0.3				MATERIAL NUMBER				CUSTOMER					
0 PLACES ± 0.5				SEE PART LIST				GENERAL MARKET					
DRAFT WHERE APPLICABLE MUST REMAIN WITHIN DIMENSIONS				THIRD ANGLE PROJECTION		DRAWING		SERIES					
						A3-SIZE		120065					
						4 OF 4							