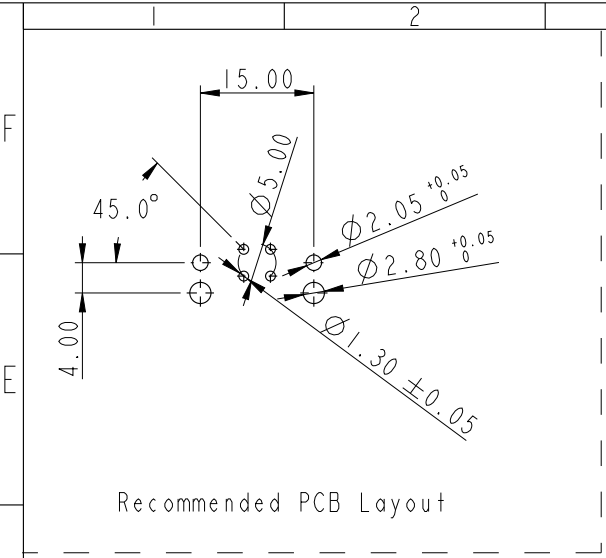
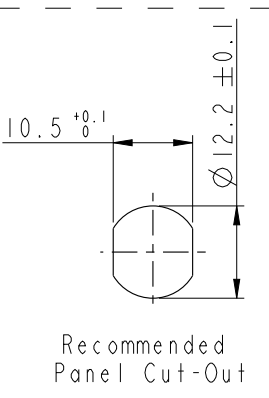
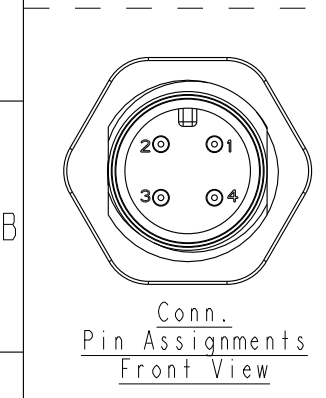
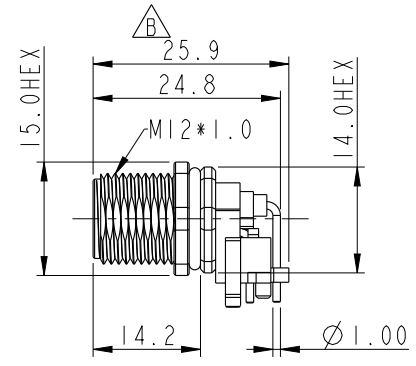
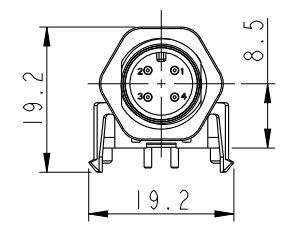
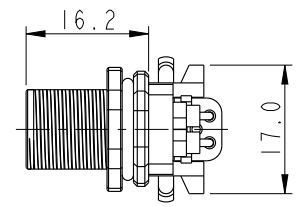
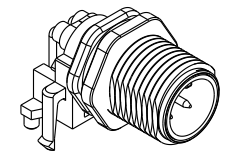
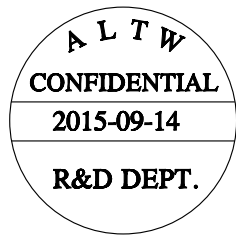


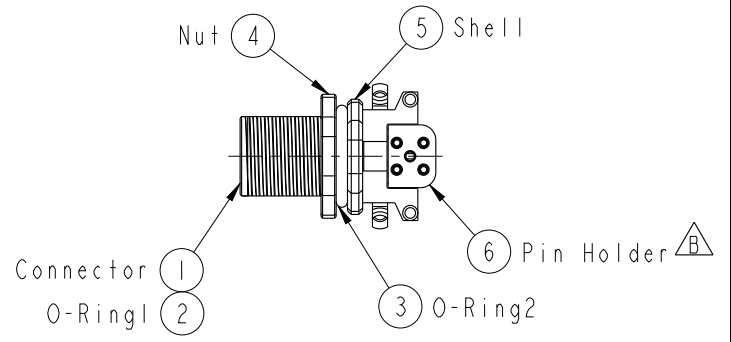
REV.	ECN NO.	DATE	SIGN	DESCRIPTION
A		2012-11-07	Tao-Cheng	Change Rev.03 To Rev.A
B	LE315A0021	2015-09-14	Yulong_wang	Add the Pin Holder.



Recommended PCB Layout



- Note:
- \*  $\text{⌀}$  Important Dimension To Check.
  - \* Waterproof Rating: IP67(Mated Waterproof)
  - \* Connector: PBT+PC, Black
  - \* Male Pins: Copper Alloy, Gold Plated
  - \* Shell: Zinc Alloy, Nickel Plated
  - \* Nut: Zinc Alloy, Nickel Plated
  - \* O-Ring1: Silicone, Black
  - \* O-Ring2: Silicone, Gray
  - \* Pin Holder: PBT+PC, Black  $\text{⚠}$
  - \* For Panel Thickness Max. 3.0mm
  - \* For PCB Thickness Max. 1.5mm



UNIT: mm	$\text{⌀}$	$\text{⚠}$	TITLE	M12, 90° Panel 4PIN MCONN MPIN (Mated Waterproof)
TOLERANCE	.X ±0.25	.XX ±0.1	SCALE	1:1
.XXX ±0.05	ANGLES ±1°	REV.	B	WC-REV. A.7
		SIZE	A4	SHEET 1 OF 1
				$\text{⌀}$ Inspection item

**Amphenol LTW**  
安費諾亮泰企業股份有限公司

ITEM NO.	12-04PMMR-SF7001	DRAWN BY	Yulong_wang	DATE	2015-09-14
DWG NO.	12-04PMMR-SF7001	CHECKED BY	Cary	DATE	2015-09-14
CUSTOMER	ALTW	APPROVED BY	Jerry	DATE	2015-09-14

THIS DOCUMENT IS SUBJECT TO CHANGE WITHOUT NOTICE. IT IS CONFIDENTIAL AND A PROPERTY OF Amphenol LTW. DISCLOSURE TO THIRD PARTY HAS TO BE AUTHORIZED BY Amphenol LTW.