

Search By Part Number

Do you already know the part number you're looking for? Check here for pricing, availability and technical data.

Search Aavid

Featured Case Studies

Submit a Quote Request

Order Cut Extrusions

Need assistance?



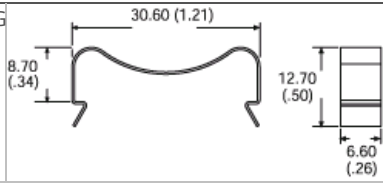


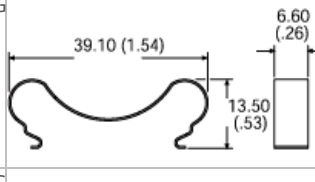


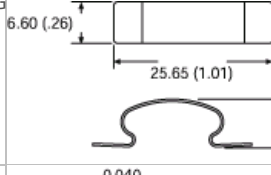


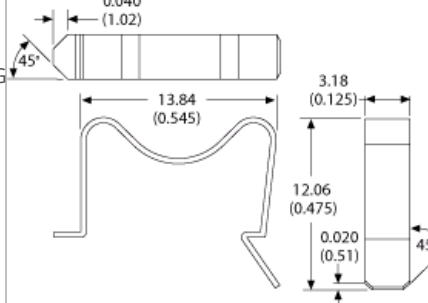


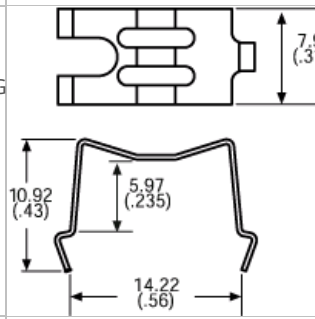


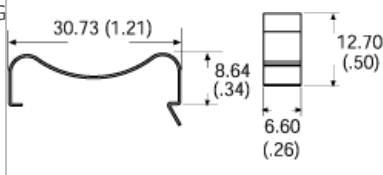


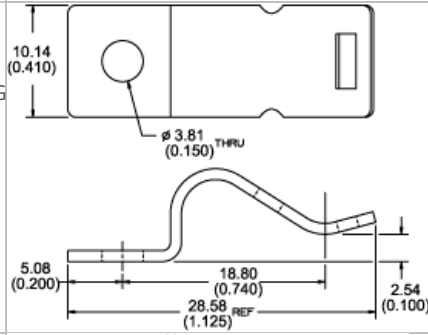

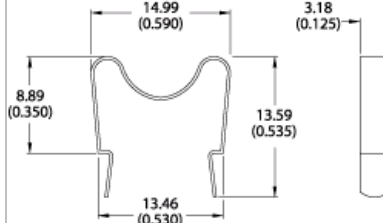

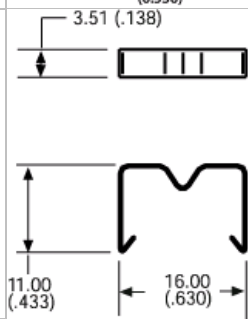
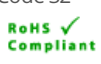
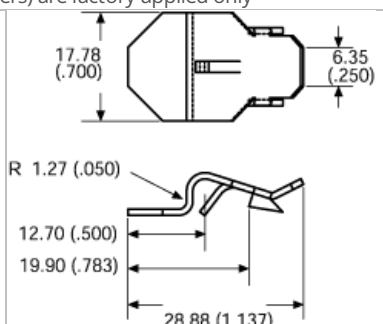
Call us: 1-855-32-AAVID
Email: estore@aavid.com


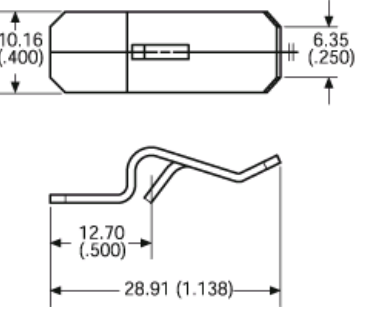

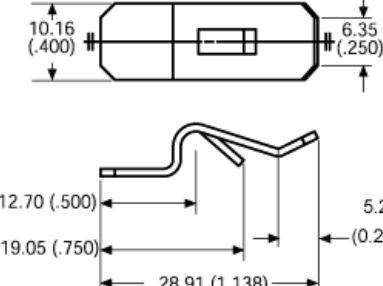

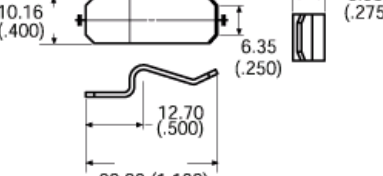
[» Help Page](#)

Check Distributor Stock

Enter a part number for pricing and availability.

Standard Clips

115000F00000G Code 50 RoHS  	
115100F00000G Code 51 RoHS  	
115200F00000G Code 52 RoHS  	
115300F00000G Code 53 RoHS  	
115400F00000G Code 54 RoHS  	
116200F00000G Code 62 RoHS  	
118300F00000G Code 83 RoHS  	
CLP-201 RoHS 	
CLP-207 RoHS 	
Thermal Clips (TC-Part Numbers) are factory applied only	
TC-1 Code 32 RoHS 	

<p>TC-10 Code 33 RoHS  Compliant</p>	
<p>TC-11 Code 34 RoHS  Compliant</p>	
<p>TC-12 Code 35 RoHS  Compliant</p>	

Customer Assistance

- [Contact Us](#)
- [Get Design Assistance](#)
- [Find a Distributor](#)
- [Find a Sales Rep](#)
- [Request a Quote](#)
- [Placing an Order](#)
- [Terms and Conditions](#)
- [Returns](#)

Popular Products

- [Fans](#)
- [Extrusions](#)
- [Board Level](#)
- [Liquid Cooling](#)
- [Heat Pipe Technology](#)
- [Heat Sink Accessories](#)
- [Interface Materials](#)

Our Company

- [News and Events](#)
- [Management Team](#)
- [Worldwide Locations](#)
- [Directions to Headquarters](#)
- [Disclaimer](#)
- [Customer Survey](#)
- [Privacy Policy](#)

Connect with Aavid

Sign up for Aavid News & Alerts

Like / Follow / Connect



© Copyright 2014 Aavid Thermalloy, LLC.