

SAIE-M23-L-HW**Weidmüller Interface GmbH & Co. KG**

Klingenbergstraße 26

D-32758 Detmold

Germany

www.weidmueller.com



The M23 round plug-in connectors offer a high number of mating cycles, high current-carrying capacity and high contact-density coupled with minimum dimensions. Enclosures, inserts and crimp contacts need to be ordered separately.

General ordering data

Version	Sensor/Actuator plug-in connector, Built-in plugs, Empty enclosure
Order No.	1170340000
Type	SAIE-M23-L-HW
GTIN (EAN)	4032248962297
Qty.	1 pc(s).

Creation date March 12, 2024 1:00:00 PM CET

Catalogue status 09.03.2024 / We reserve the right to make technical changes.

SAIE-M23-L-HW**Weidmüller Interface GmbH & Co. KG**

Klingenbergstraße 26

D-32758 Detmold

Germany

www.weidmueller.com

Technical data**Dimensions and weights**

Net weight 26 g

Technical data customisable plug-in connectors

Housing main material	Copper-zinc alloy	Pollution severity	3
Protection degree	IP67, IP69K	Shield connection	Yes
Temperature range of housing	-40...+125 °C		

Classifications

ETIM 6.0	EC000437	ETIM 7.0	EC003556
ETIM 8.0	EC003556	ETIM 9.0	EC003556
ECLASS 9.1	27-44-02-02	ECLASS 10.0	27-44-02-24
ECLASS 11.0	27-44-02-24	ECLASS 12.0	27-44-02-24
ECLASS 13.0	27-44-02-24		

Environmental Product Compliance

REACH SVHC	Lead 7439-92-1
SCIP	1c533b66-fcff-4da5-b89f-fd555fbf5cb55

Approvals

Approvals



ROHS	Conform
UL File Number Search	UL Website
Certificate No. (UR)	E344862

Downloads

Engineering Data	CAD data – STEP
Catalogues	Catalogues in PDF-format
Brochures	FL FIELDWIRING EN FL FIELDWIRING EN

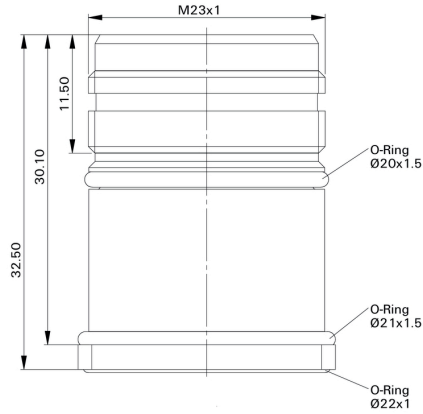
SAIE-M23-L-HW

Weidmüller Interface GmbH & Co. KG
Klingenbergstraße 26
D-32758 Detmold
Germany

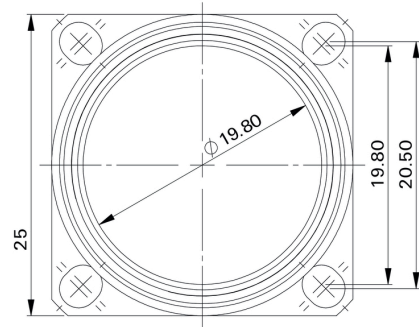
www.weidmueller.com

Drawings

Dimensioned drawing



Dimensioned drawing



Device connector

F

